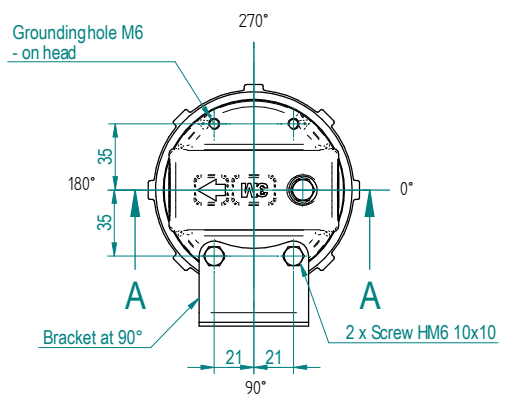
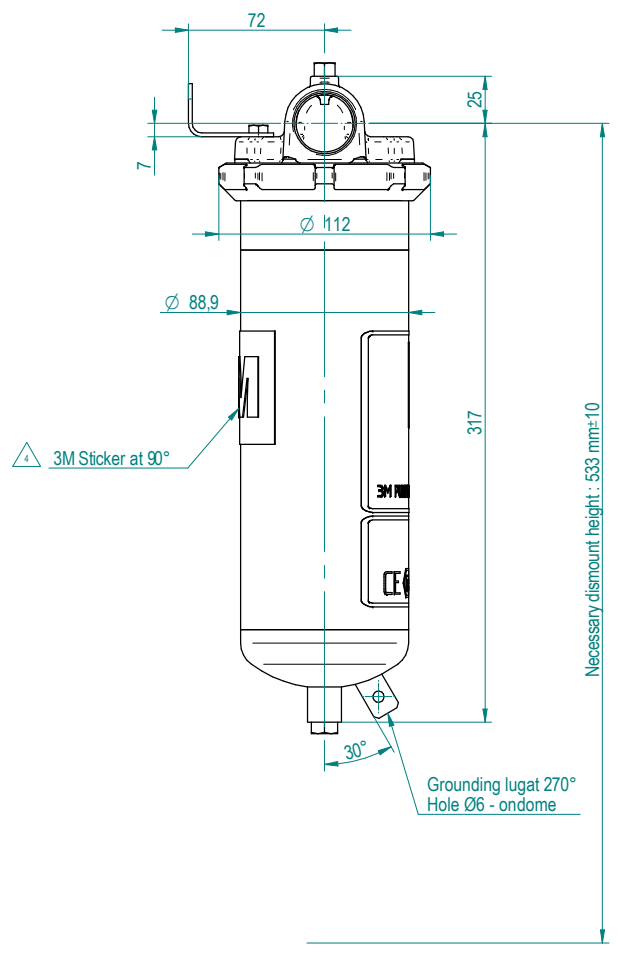
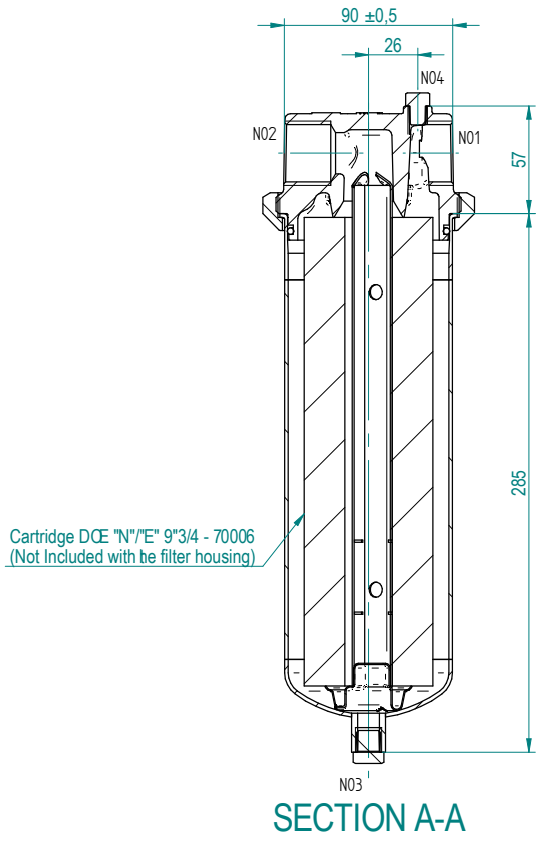


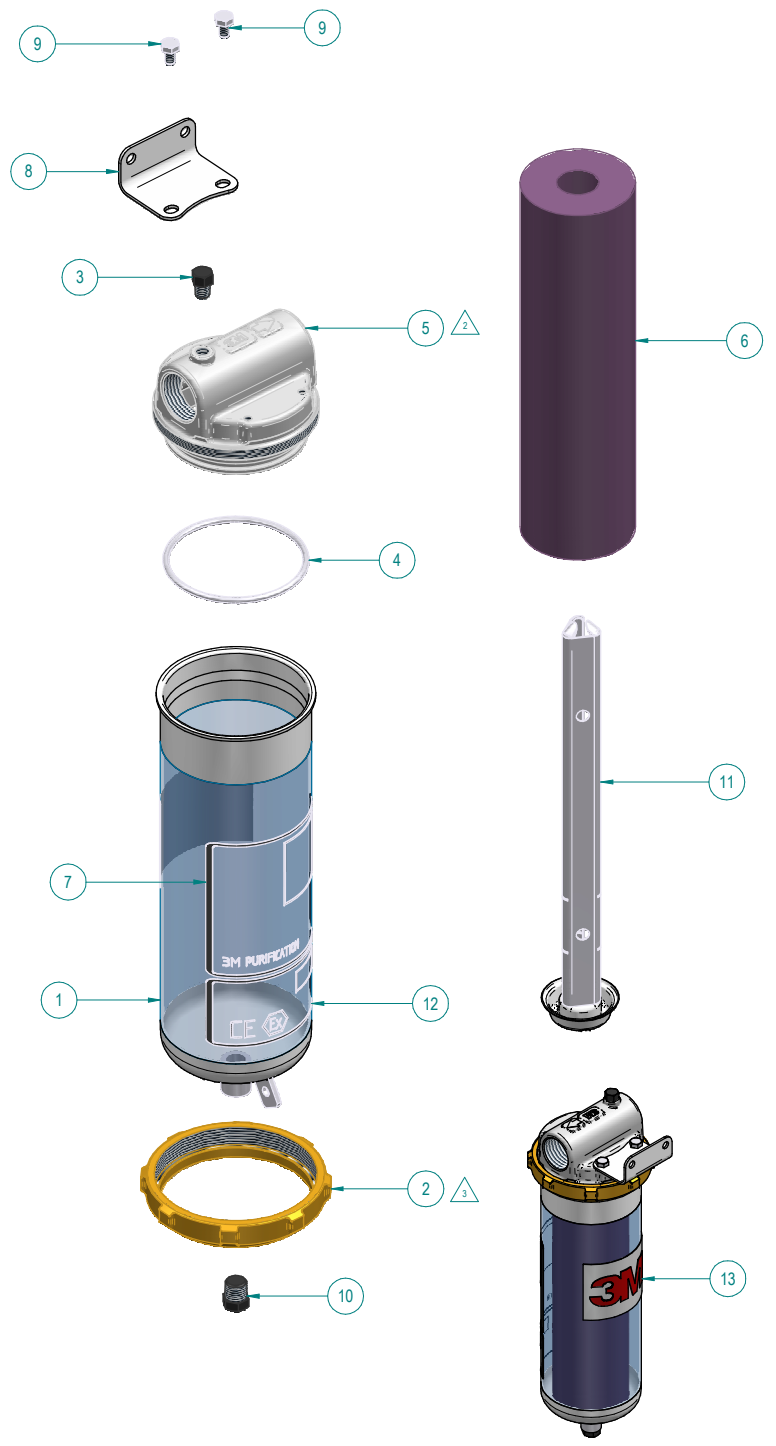
Rev	Date	Modification	Drawn by	Checked by	Approved by
0	31/01/2018	First release	Guilbert A.	Marcotte L.	Noury J-P.
1	08/02/2018	Update CT Head (Item 5) & CT Nut (Item 2)	Guilbert A.	Marcotte L.	Noury J-P.
2	12/02/2018	Update CT Head (Item 5) & CT Nut (Item 2)	Guilbert A.	Marcotte L.	Noury J-P.
3	21/02/2018	Update CT Nut material	Guilbert A.	Marcotte L.	Noury J-P.
4	28/09/2018	Add 3M sticker	Guilbert A.	Marcotte L.	Noury J-P.



Design pressure	bag	20
Vacuum	Yes/No	Yes
Design temperature	min/max	0/110°C
Volume	L	1,5
Connections/Orientations	Inlet	N01 : Horizontal, at 0°, Rp1" (Ø1" gas female)
	Outlet	N02 : Horizontal, at 180°, Rp1" (Ø1" gas female)
	Drain	N03 : Vertical, centered on dome, Rp1/4" (Ø1/4" gas female) + Plug
	Vent	N04 : Vertical, on head, Rp1/8" (Ø1/8" gas female) + Plug
Material	Wetted part	1.4404 (316L) or equivalent (316 for head)
	Other	1.4306 (304L), 1.4404 (316L) or equivalent
	Gasket	NBR
	Closure	304L Δ
Closure system	Type	Nut
Surface quality	Internal	Pickled & Passivated
	External	Pickled & Passivated + Electropolishing

510427-01	Filter CT101NAM6NBE00GF25X - Gamme	C0000001	3 kg
Reference	Designation	Part Number	Weight
		CT101 STD FILTER HOUSING I/O Rp1" (Ø1" gas female) 316L - NBR - ATEX GENERAL DRAWING	
<small>UNLESS OTHERWISE SPECIFIED: - DIMENSIONS ARE IN mm - TOLERANCES: DIMENSIONS: +/- 0.2 mm DETAILS: +/- 0.2 mm ANGLES: +/- 5°</small>			
3M Purification 41 Boulevard du Parc 62231 Coqueilles - FRANCE <small>This document is confidential and property of 3M Purification and shall not be duplicated or passed to third parties without 3M Purification's written permission</small>			
A2	510427	CONTROLLED DISTRIBUTION	<input checked="" type="checkbox"/>
		Sh. : 1/2	4

Rev	Date	Modification	Drawn by	Checked by	Approved by
0	31/01/2018	First release	Guilbert A.	Marcotte L.	Noury J.P.
1	08/02/2018	Update CT Head (Item 5) & CT Nut (Item 2)	Guilbert A.	Marcotte L.	Noury J.P.
2	12/02/2018	Update CT Head (Item 5) & CT Nut (Item 2)	Guilbert A.	Marcotte L.	Noury J.P.
3	21/02/2018	Update CT Nut material	Guilbert A.	Marcotte L.	Noury J.P.
4	28/09/2018	Add 3M sticker	Guilbert A.	Marcotte L.	Noury J.P.



Item	Qty	Designation	Dimensions/Ref.	Drawing	Material	Norme
1	1	CT Bowl	-	510429-01	316L	-
2	1	CT nut	-	101771-31	304L	EN10272
3	1	Plug	R1/8" (Ø1/8" gas male)	-	316L	EN10272
4	1	O-ring gasket	Ø78,97 Tore 3.53	-	NBR	-
5	1	CT Head	-	101773-31	316	-
6	1	Cartridge	Not included with the filter housing	-	-	-
7	1	Nameplate	-	-	Chemical marking	-
8	1	Bracket	-	101774-31	304L	EN10028-7
9	2	Screw	HM6 - 10x10 - DIN933	-	A2	-
10	1	Plug	R1/4" (1/4" gas male)	-	316L	EN10272
11	1	Center post assembly	-	24842-05	316L	-
12	1	ATEX plate	-	-	Chemical marking	-
13	1	3M Sticker	-	-	-	-

*1) See "supplier adress" document for more details


510427-01	Fitl.CT101NAM6NBE00GF2BX - Gamme	C0000001	3 kg
Reference	Designation	Part Number	Weight
		CT101 STD FILTER HOUSING I/O Rp1" (Ø1" gas female) 316L - NBR - ATEX BILL OF MATERIAL	
<small>UNLESS OTHERWISE SPECIFIED: - DIMENSIONS ARE IN mm - TOLERANCES: DIMENSIONS: +/- 0.5 mm DETAILS: +/- 0.2 mm ANGLES: +/- 5°</small>			
3M Purification 41 Boulevard du Parc 62231 Coquelles - FRANCE			
<small>This document is confidential and property of 3M Purification and shall not be duplicated or passed to third parties without 3M Purification's written permission</small>			
A2	510427	CONTROLLED DISTRIBUTION	<input checked="" type="checkbox"/>
		Sh. : 2/2	4

MODEL - DRAWING	CT101 STD - 510427-01	
PART NUMBER	7100173726	
SERIAL LF	TO DEFINE	YEAR 2018
ITEM		
WEIGHT (kg)	EMPTY	3
	PED 2014/68/EU ONLY ART.4§3	



UTILISATION					
ALLOWABLE PRESSURE	PS (bar)	SERVICE		SERVICE	
ALLOWABLE TEMP.	TS (°C)	20	max	10	max
FULL VACUUM		0	min	110	max
TEST PRESSURE	PT (bar)	YES		YES	
TEST DATE	dd/mm/yyyy	30		30	
VOLUME (L)		TO DEFINE		TO DEFINE	
MATERIAL		1.5		1.5	
		316L		316L	

FLUID STATE	LIQUID	GAS
FLUID GROUP	1	2

INSTRUCTIONS IN MANUAL MUST BE STRICTLY ADHERED TO
3M Purification IS TO BE CONTACTED FOR ANY QUERIES



3M Purification
41 Boulevard du Parc
62231 Coquelles - France

ATEX 2014 / 34 / EU	
REF. NoBo FILE / DOSSIER ON	027236/13
MAX. SURFACE TEMP. °C	T* / T**°C
3M REF. FILE / DOSSIER	13ATBC
 	II 2 GD c IIC / IIIC