



2VREt45 300V

N38-A3



DATA SHEET

Replace R10-31

release. 0 - Revision 03-2015

Voltage	Frequency	Input Power	Input Current	Capacitor	Airflow	Rotation speed	Acoustic level	Direction rotation	Admissible Temperature
V	Hz	W	A	µF	m³/h	RPM	dBA	↻	Min/Max
400	50	143	0,33	-	2705	2675	68	L	-20°C / +70°C
400	60	200	0,36	-	3005	2950	70	L	-20°C / +70°C
400	50				1592 CFM				-4°F / 158°F
400	60				1768 CFM				-4°F / 158°F

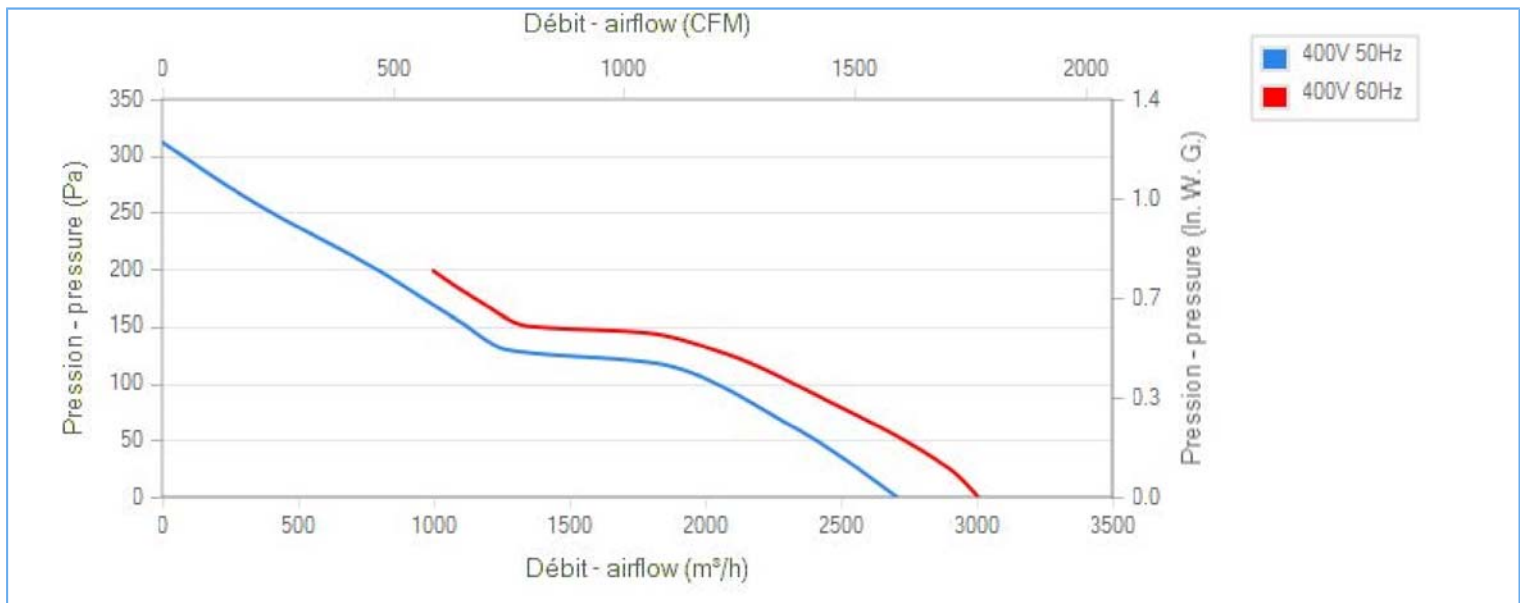
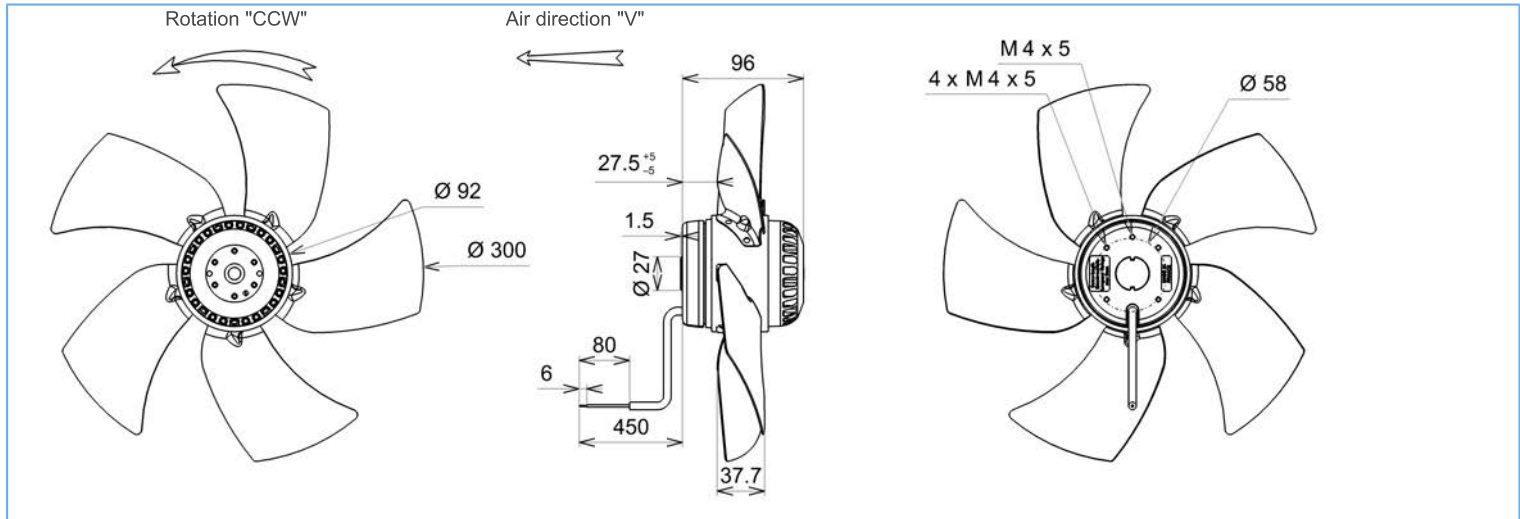


dBA : free blowing

ErP 2013



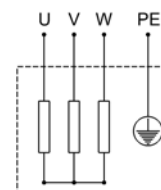
ErP 2015



Tested with ECOFIT ring

Description

- .Weight : 2,9 Kg
- .Ball bearing
- .Insulation Class F
- .IP44 protection depending on installation and position as per EN60034-5
- .G6.3 balancing
- .Zinc coated impeller
- .Rotor and impeller : black paint



- U = Black
- V = Brown
- W = Blue
- PE = Green/yellow

Non contractual document. All specifications are subject to change without prior notice. Picture for information only.



2VREt45 300V

N38-A3



DATA SHEET

Replace R10-31

release. 0 - Revision 03-2015

Data in accordance to ErP directive

Voltage	400	V
Frequency	50	Hz
Power	0,193	kW ⁽¹⁾
Airflow	1826	m ³ /h ⁽¹⁾
Pressure	117	Pa ⁽¹⁾
Rotation speed	2504	RPM ⁽¹⁾

(1) at optimal efficiency point

	Actual	Request 2013	Request 2015
Overall efficiency (η)	30,8	25,2	29,2
Efficiency grade	42	36	40
Installation category	A		
Efficiency category	static		
Variable speed drive	No		
Specific ratio	1,00		

Designed for regular application according ErP directive EU 2009/125/EC

Accessories

-
-
39658
09172

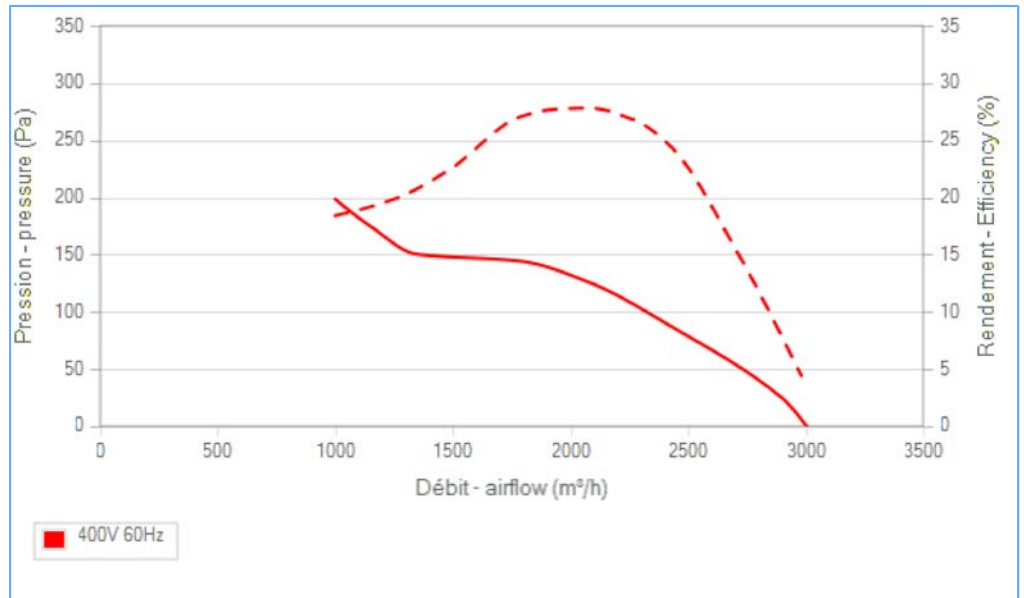
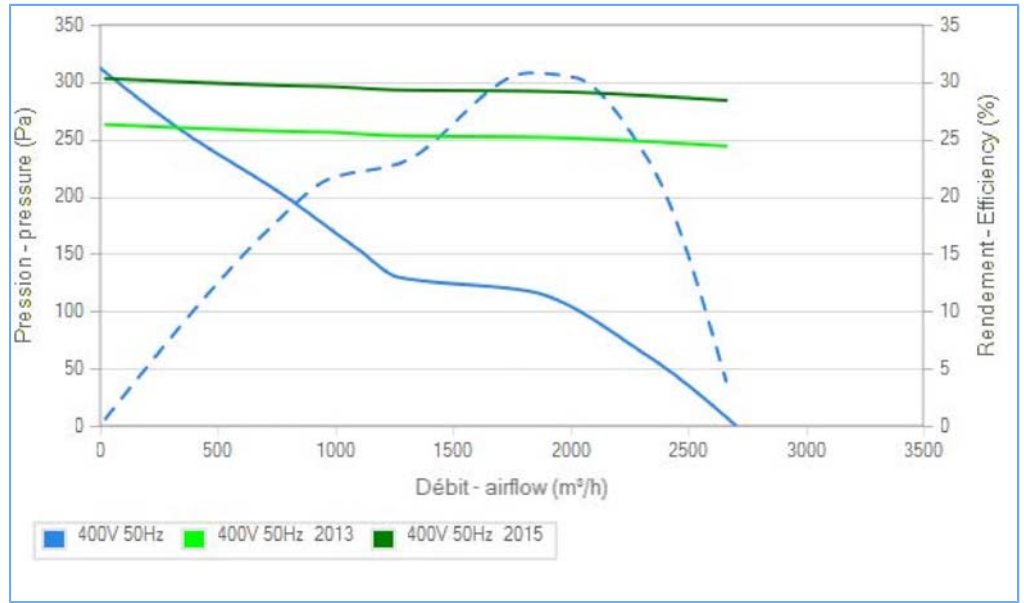
Measurement setup

16086 VIROLE V300 RONDE

Documents

Manuel d'utilisation
www.ecofit.com/site/normes

Operating and recycling manual
www.ecofit.com/anglais/normes



Non contractual document. All specifications are subject to change without prior notice. Picture for information only.