



elektrosistem



## SPC500

### DC/DC ISOLATED CONVERTER



SPC500 converter has been designed to provide power to auxiliary electrical circuit on electric vehicles, where it is necessary to isolate main and auxiliary unit.

SPC500 can be pre-set for use with a 12 or 24 VDC auxiliary lead-acid battery to be connected in parallel to the output for high peak currents, particularly used in hybrid vehicles to start thermal motor.

The microprocessor controls and optimises charging and avoids overloads thus reducing maintenance operations.

#### SPECIFICATIONS

- Max. continuous power 500W
- Output short circuit protection and input reverse polarity protection through internal fuse
- Pre-setting for use with auxiliary battery
- Operation frequency 70KHz
- Output voltage is factory selectable
- 13.2V output voltage (12V model) and 26.4V (24V model) for use without auxiliary battery \*
- $\pm 2\%$  output voltage tolerance
- Current limit 40A at 13.2V and 20A at 26.4V
- Output voltage ripple 100mV pp at 20A 26.4V
- Input voltage from 80% to 125% of nominal
- Input and output galvanically isolated according to EEC 86/663 and UL 583
- Di-electric isolation 1250 volts at 50Hz sinusoidal for 1 minute
- Ambient operating temperature from  $-30^{\circ}\text{C}$  to  $+45^{\circ}\text{C}$
- Exceeds EMC specifications: EN50081-2 for immunity and EN50082-2 for emission
- Efficiency 85-90%
- Weight 1,9 Kg

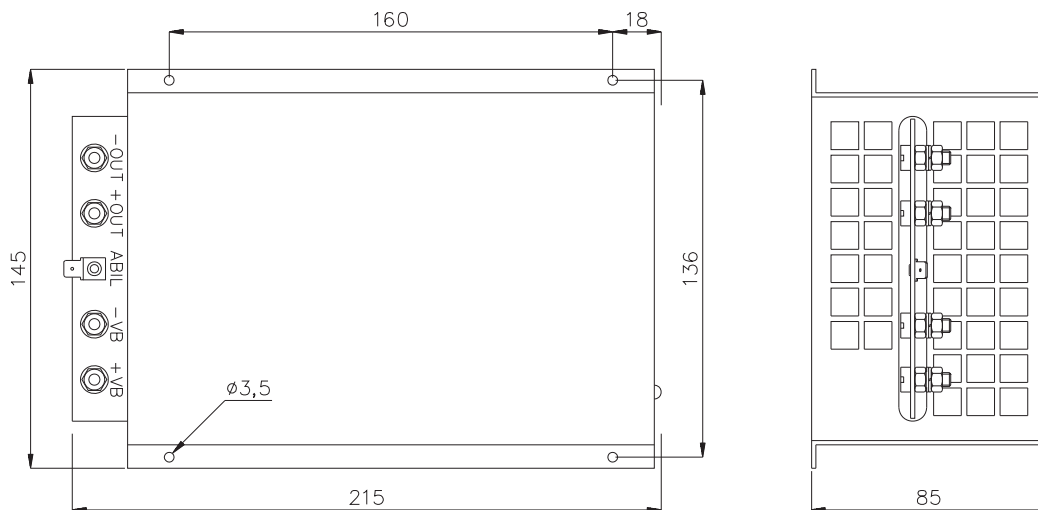
\* Output voltage suggested for use with auxiliary battery: 14.2V (for 12V model) and 28.4V (for 24V model)

~~NEWS~~

MODELS

SPC-500			
REF.	Vout	Vin	Imax
15.001062	12V	48/60V	40A
15.001060	12V	72/120V	40A
15.001063	24V	48/60V	20A
15.001061	24V	72/120V	20A

DIMENSIONS



WIRING DIAGRAM

