

Instruction Manual PU/PI and PS10 Differential Pressure Transducers



halstrup-walcher GmbH

Stegener Straße 10
D-79199 Kirchzarten
Germany

Phone: +49 (0) 76 61/39 63-0
Fax: +49 (0) 76 61/39 63-99

E-Mail: info@halstrup-walcher.com
Internet: www.halstrup-walcher.com

Table of Contents

1 Safety precautions	4
1.1 Appropriate use.....	4
1.2 Shipping, assembly, electrical connections and start-up	4
1.3 Troubleshooting, maintenance, repairs, disposal	4
1.4 Symbols	5
2 Instrument description	6
3 Start-up	6
3.1 Features.....	6
3.2 Supply voltage connections in the instrument:.....	7
3.3 Analog output connections in the instrument.....	7
4 Calibrating the zero point	8
5 Troubleshooting	9
6 Technical data.....	10
7 Dimension drawings.....	12

Purpose of instruction manual

This instruction manual describes the features of the PU/PI and PS10 differential pressure transducers and provides guidelines for their use.

Improper use of this instrument or failure to follow these instructions may cause injury or equipment damage. Every person who uses the device must therefore read the manual and understand the possible risks. The instruction manual, and in particular the safety precautions contained therein, must be followed carefully. **Contact the manufacturer if you do not understand any part of this instruction manual.**

Handle this manual with care:

- It must be readily available throughout the lifecycle of the instrument.
- It must be provided to any individuals who assume responsibility for operating the instrument at a later date.
- It must include any supplementary materials provided by the manufacturer.

The manufacturer reserves the right to continue developing this instrument model without documenting such development in each individual case. The manufacturer will be happy to determine whether this manual is up-to-date.

Conformity

This instrument corresponds to the state of the art and meets all legal requirements set forth in EC directives as evidenced by the CE label.



© 2005

The manufacturer owns the copyright to this instruction manual. This manual contains data, instructions and drawings pertaining to the features and usage of this instrument; copying this manual in part or in full or distributing it to third parties is prohibited.

1 Safety precautions

1.1 Appropriate use

In addition to differential pressure data, the PU/PI and PS10 differential pressure transducers also record positive and negative overpressures.

Always observe the operating requirements—particularly the permissible supply voltage—indicated on the rating plate and in the "Technical data" section of this manual.

The instrument may only be handled as indicated in this manual. Modifications to the instrument are prohibited. The manufacturer is not liable for damages caused by improper use or failure to follow these instructions. Violations of this type render all warranty claims null and void.

1.2 Shipping, assembly, electrical connections and start-up

Do not close the pressure inputs when shipping, as changes in barometric pressure could damage instruments with low measuring ranges.

Only technical personnel who are appropriately trained and authorized by the operator of the facility may assemble the instrument and set up its electrical connections.

The instrument may only be operated by appropriately trained individuals who have been authorized by the operator of the facility.

Pressurized air or breath is not to be used for performance tests, as this could damage instruments with low measurement ranges.

Measurement errors may occur if the instrument is not kept protected from sunlight.

Specific safety precautions are given in individual sections of this manual.

1.3 Troubleshooting, maintenance, repairs, disposal

The individual responsible for the electrical connections must be notified immediately if the instrument is damaged or if errors occur that cannot be corrected as indicated in section 5.

This individual must take the instrument out of service until the error has been corrected and ensure that it cannot be used unintentionally.

Always unplug the supply voltage before opening the instrument!

This instrument requires no maintenance.

Only the manufacturer may perform repairs that require the housing to be opened.

The electronic components of the instrument contain environmentally hazardous materials and materials that can be reused. For this reason the instrument must be recycled in accordance with the environmental guidelines of the jurisdiction in question once it has been taken permanently out of service.

1.4 Symbols

The symbols given below are used throughout this manual to indicate instances when improper operation could result in the following hazards:



WARNING! This warns you of a potential hazard that could lead to bodily injury up to and including death if the corresponding instructions are not followed.



WARNING: This warns you of a potential hazard that could lead to significant property damage if corresponding instructions are not followed.



INFORMATION This indicates that the corresponding information is important for operating the instrument properly.

2 Instrument description

The PU/PI and PS10 pressure transducers are pneumatic, electronic sensors for measuring overpressures, vacuum pressures and differential pressures. Typical applications include, for instance, pressure measurements in air-conditioning and ventilation ducts. At the heart of the transducer is a pressure measurement capsule with a beryllium bronze membrane spring, which is displaced by the pressure difference between the two chambers of the measurement capsule. Inductive displacement transducers measure membrane deflection without contacting the membrane. The instrument has no frictional parts or parts subject to mechanical wear.

3 Start-up

3.1 Features

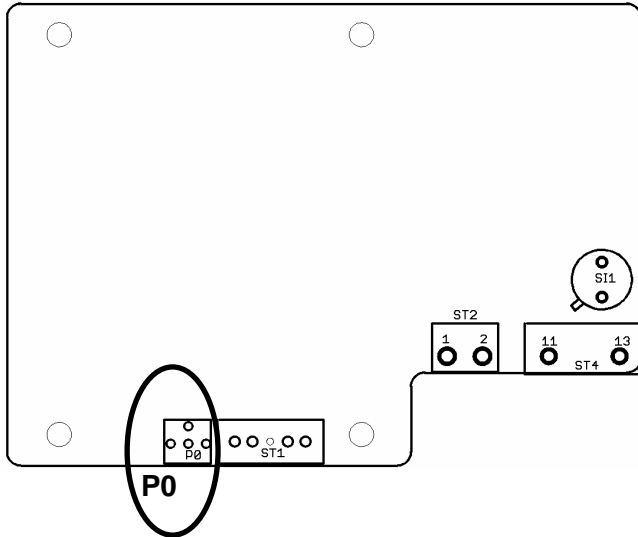
Although the PU/PI and PS 10 pressure transducers are highly robust, they are nevertheless precision instruments and should be handled with care. Avoid mounting the instruments in the direct vicinity of any sources of radiation or heat, such as heaters, as this could result in measurement errors. Ideally, the instrument should be mounted vertically on a wall not subject to vibration. Pressure (+) and vacuum (-) ports should be pointing down in order to prevent any condensation from entering the measurement cell.

When connecting pressure to the transducer, use the following table to ensure that the sign of the pressure (+ or -) is correct.

Type of pressure	Connect pressure to	Example
overpressure	+ input port	0...1 kPa
vacuum	- input port	0...- 500 Pa
differential pressure	higher pressure at + port lower pressure at - port	0...125 Pa, e.g. via a differential pressure transducer (such as a measuring orifice)
symmetrical pressure ranges	+ input port	± 200 Pa
asymmetrical pressure ranges	input port corresponding to the high end of the pressure range	-300 Pa...+ 1 kPa (pressure should be connected to the + input port)

3.2 Supply voltage connections in the instrument:

Figure 1: Configuration of circuit board: (not all components are shown)



Terminal	Supply voltage
11	24/115/230 V~ 50/60 Hz
13	24/115/230 V~ 50/60 Hz
11	+20.5 V...28.5 VDC
13	ground (GND)



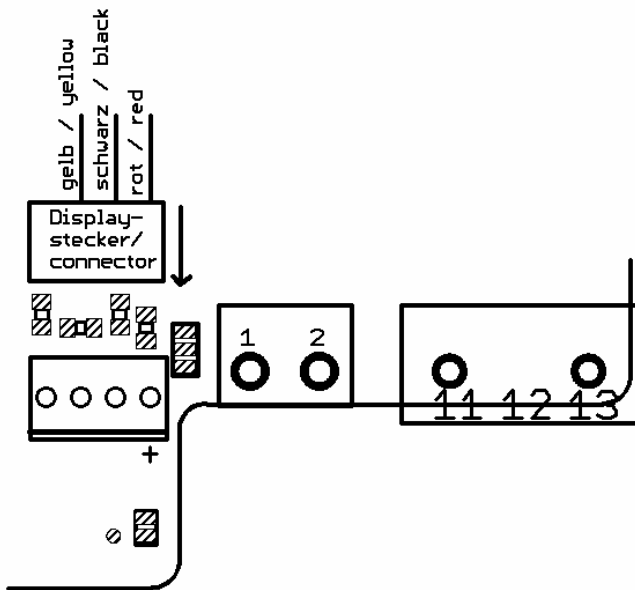
Observe the required supply voltage (see rating plate) as well as the connection diagram located on the housing cover / circuit board mount.

3.3 Analog output connections in the instrument

Terminal	Output signal
1	ground (GND)
2	0...10 V / 0/4...20 mA ± 5 V / ± 10 V

The transducer outputs are protected from short circuits. Instruments supplied with direct current are also protected from reverse polarity

Display-connector



4 Calibrating the zero point



Please remember that it takes roughly 30 to 60 minutes for the pressure transducer to warm up after it is switched on. The output signal may not remain stable during this period.

It is recommended that the zero point after a long operating time (approximately 6 months) is checked and if necessary calibrate it again.

The wiring of the current output makes it impossible to enter a negative current. As a result, operators cannot turn the zero-point potentiometer beyond the 0.0 mA mark when calibrating the zero point. Were this not the case, the negative component, which cannot be displayed, would interfere with the output signal.


After the pressure transducer has warmed up, the operator may calibrate the zero point using the P0 trimmer (see figure 1). The following table may be used to look up the value to which the analog output must be set when the ports are open; this value is dependent upon both the measurement range and the output signal.

Output signal / Measurement range	0...10 V	0...20 mA	4...20 mA	± 5 V	± 10 V
0...nominal pressure	0.00 V	0.00 mA	4.00 mA	- 5.00 V	- 10.00 V
± nominal pressure	5.00 V	10.00 mA	12.00 mA	0.00 V	0.00 V
asymmetrical measurement range	the output signal corresponding to the average of both measurement range limiting values				

5 Troubleshooting

Error Description	Potential Cause	Corrective Action
no output signal	<ul style="list-style-type: none"> • supply voltage is not connected • incorrect supply voltage • defective fuse • defective input protection diode only for DC power: <ul style="list-style-type: none"> • defective reverse polarity protection diode 	<ul style="list-style-type: none"> • connect correct supply voltage • connect the correct supply voltage (see rating plate). • replace the S11 fuse (Wickmann model TR5 200 mA) • Send the instrument to the manufacturer for repair • Send the instrument to the manufacturer for repair
output signal is constant, despite change in pressure	<ul style="list-style-type: none"> • defective output protection diode • pressure ports reversed 	Send the instrument to the manufacturer for repair <ul style="list-style-type: none"> • connect pressure as outlined in section 3. "Mounting"
output signal incorrect (only for 0...20 mA)	<ul style="list-style-type: none"> • defective output protection diode • defective pressure measurement cell for current output: <ul style="list-style-type: none"> • output load too high for voltage output: <ul style="list-style-type: none"> • load resistance too low <ul style="list-style-type: none"> • current output calibrated incorrectly 	Send the instrument to the manufacturer for repair <ul style="list-style-type: none"> • Send the instrument to the manufacturer for repair • observe maximum output load of 500Ω • observe minimum load resistance (either 2 kΩ, 5 kΩ or 10 kΩ, depending on output; see section 6 "Technical Data") • follow instructions on calibrating the zero point at a current output of 0...20mA
zero point cannot be adjusted using P0	defective pressure measurement cell	Send the instrument to the manufacturer for repair

6 Technical data

Measurement data	
measurement ranges	0...50 Pa to 0...100 kPa or ±50 Pa to ±100 kPa (others available upon request)
overload capacity	10 x the final value of the measurement range (for measurement ranges ≤ 20 kPa) 2 x the final value of the measurement range (for measurement ranges > 20 kPa)
hysteresis	0.1 %
warm-up period	approx. 30 min.
time required for adjustment	approx. 20 ms (up to 5 s available upon request)
deviation from characteristic curve (setting limiting value)	1 % for PU/PI model 0.5 % only for meas. ranges ≥250 Pa (optional) 0.2 % only for meas. ranges ≥250 Pa (optional) 2% for PS 10 model (others available upon request)
temperature-dependent drift in zero point	0.04%/ K (in the +10°C...+50 °C range) for PU / PI model 0.1%/ K (in the +10°C...+50 °C range) for PS 10 model
temperature-dependent drift in measurement range	0.04%/ K (in the +10°C...+50 °C range) for PU / PI model 0.1%/ K (in the +10°C...+50 °C range) for PS 10 model
dead volume	approx. 2000 mm ³ (for measurement ranges ≥ 250 Pa) approx. 9000 mm ³ (for measurement ranges < 250 Pa)
control volume	max. 200mm ³
max. system pressure	100 kPa
Ambient conditions	
medium	air, all non-aggressive gases
nominal temperature	+10° C to +50° C
operating temperature	0° C to +60° C
storage temperature	-10° C to +70° C
relative humidity	0...80 %
EMC standards	EN 6100-6-3:2001 and EN 61000-6-2:2001; CSA
conformity	 declaration of conformity available upon request

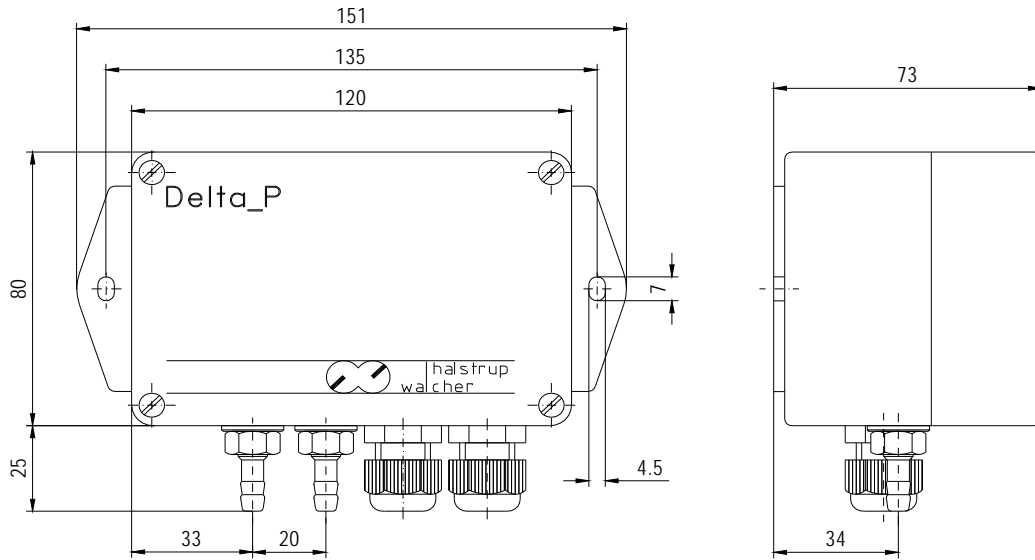
Electrical data	
power consumption	max. 1.2 W
supply voltage	24 VDC +20% / -15% (filtered, permissible peak-to-valley ratio = 1000 mV) 230VAC, 115VAC, 24VAC +6 % / -15 %, 50/60 Hz (optional)
minimum load resistance R_L	$R_L \geq 2 \text{ k}\Omega$ for an output voltage of 0...10 V $R_L \geq 5 \text{ k}\Omega$ for an output voltage of $\pm 5 \text{ V}$ $R_L \geq 10 \text{ k}\Omega$ for an output voltage of $\pm 10 \text{ V}$ for models PU and PS10 with output voltage maximum effect of load resistance = 0.3%
maximum output load R_B	$R_B = 500 \Omega$ for models PI and PS 10 with current output output load dependence: < 0.3 %
display	3½ or 4½-place LCD, character height = 13 mm (optional)
output signal	0 to 10 V, 0 to 20 mA or 4 to 20 mA; $\pm 5 \text{ V}$ and $\pm 10 \text{ V}$ are also possible
Physical data	
pressure port	$\varnothing 6.5 \text{ mm}$ for NW5 tubing (interior tubing diameter = 5 mm)
electrical connections	screw terminals for cables up to 2.5 mm ²
mounting orientation	vertical (when placing your order, please indicate if a horizontal orientation is required)
dimensions (w x h x d)	80 x 120 x 73 mm 120 x 122 x 75 mm (for LCD option)
protection class	IP54
weight	between 300 g and 700 g, depending on design
options	<ul style="list-style-type: none"> • 3½-place LCD • 4½-place LCD • linearity protocol • DKD calibration certificate • cable gland: PG9 or PG11 threaded connections • output signal attenuation up to 5 s • silicon-free materials for parts in contact with medium

Appendix A: Parts in contact with measurement medium

- Beryllium bronze CuBe2
- Mu metal (nickel alloy)
- Brass CuZn39Pb3
- Aluminum AlCuMgPb / AlMg3
- Silicon (tubing) optional: Viton
- Crastin (PTBP)
- Araldite CY236 / HY988
- Loctite 242e
- Carbonyl iron
- KEL (FPM: fluorinated rubber)
- Vepuran Vu 4457/51
- UHU-Plus endfest 300 binder

7 Dimension drawings

PU/PI/PS10 (standard)



PU/PI/PS10 with LCD

