

ebm-papst Mulfingen GmbH & Co. KG

Bachmühle 2

D-74673 Mulfingen

Phone: +49(0)7938/81-0

Fax: +49(0)7938/81-110

info1@de.ebmpapst.com

www.ebmpapst.com

Nominal data

Type	S4E500-AM03-01		
Motor	M4E110-GF		
Phase		1~	1~
Nominal voltage	[V]	230	230
Frequency	[Hz]	50	60
Type of data definition		ml	ml
Valid for approval / standard		CE	CE
Speed	[min ⁻¹]	1300	1400
Power input	[W]	680	880
Current draw	[A]	3.0	3.88
Motor capacitor	[µF]	12	12
Capacitor voltage	[VDB]	450	450
Max. back pressure	[Pa]	150	100
Max. ambient temperature	[°C]	65	40

ml = max. load · me = max. efficiency · rfa = running at free air · cs = customer specs · cu = customer unit
Subject to alterations

Technical features

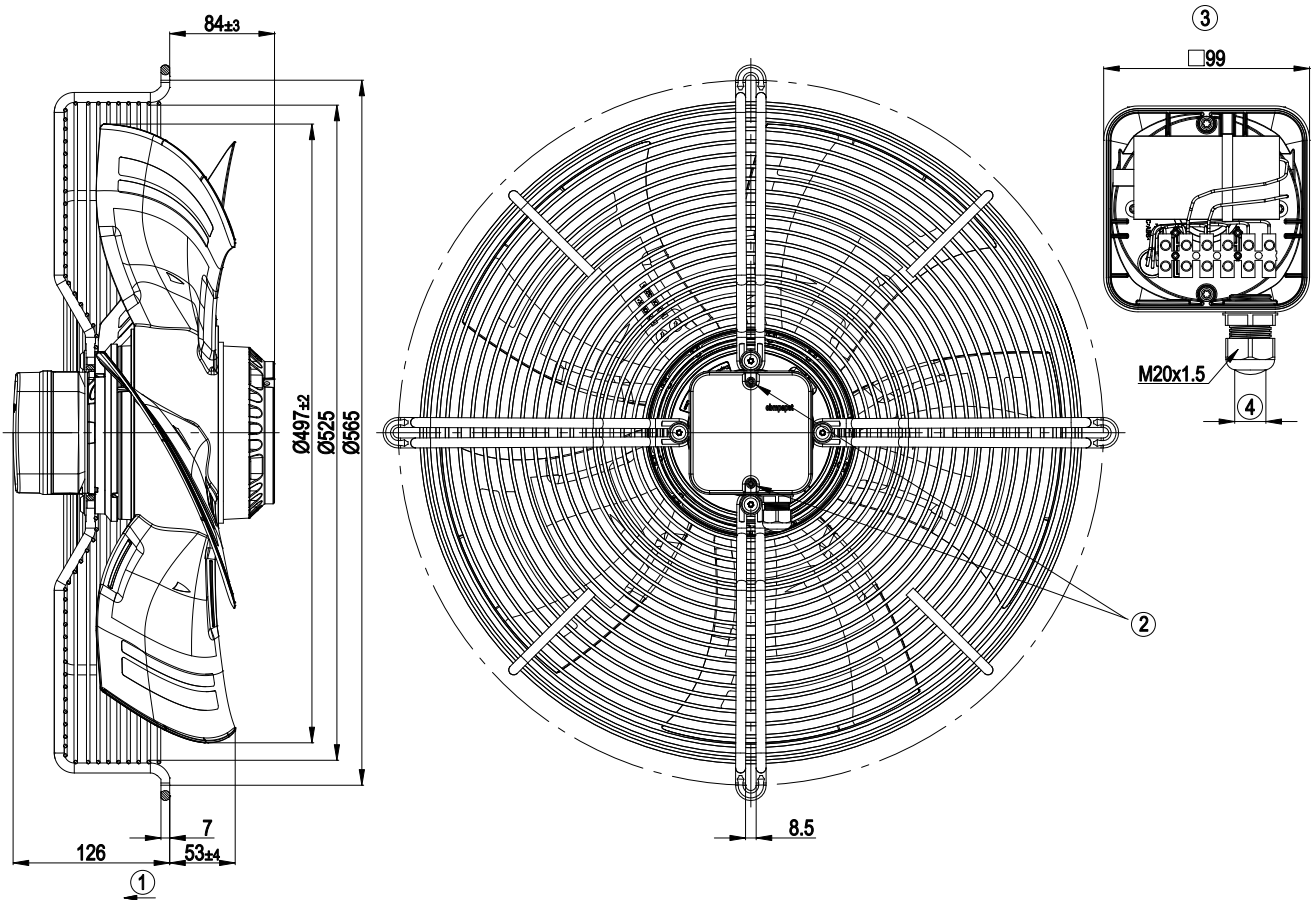
Leakage current	<= 3.5 mA
Size	500 mm
Operation mode	S1
Direction of rotation	Counter-clockwise, seen on rotor
Mounting position	Shaft horizontal or rotor on bottom; rotor on top on request
Electrical leads	Via terminal box, integrated capacitor connected via terminal box
Humidity class	F4-1
Direction of air flow	"V"
Insulation class	"F"
Cable exit	Axial
Condensate discharge holes	Rotor-side
Bearing motor	Ball bearing
Material of terminal box	PC/ABS plastic Bayblend FR110
Material of blades	Press-fitted sheet steel blank, sprayed with PP plastic
Material of guard grille	Steel, phosphated and coated in black plastic
Motor protection	Thermal overload protector (TOP) brought out
Product conforming to standard	CE; EN 61800-5-1
Surface of rotor	Cast in aluminium
Number of blades	5
Type of protection	IP 54
Protection class	I
Max. permissible ambient motor temp. (transp./ storage)	+ 80 °C
Min. permissible ambient motor temp. (transp./storage)	- 40 °C
Approval	CSA C22.2 Nr.100; GOST; UL 1004-1; VDE

AC axial fan - HyBlade®

sickled blades (S series)

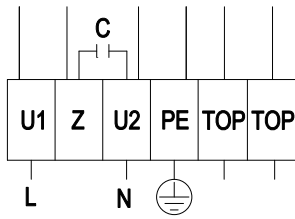
with guard grille for short nozzle

Product drawing



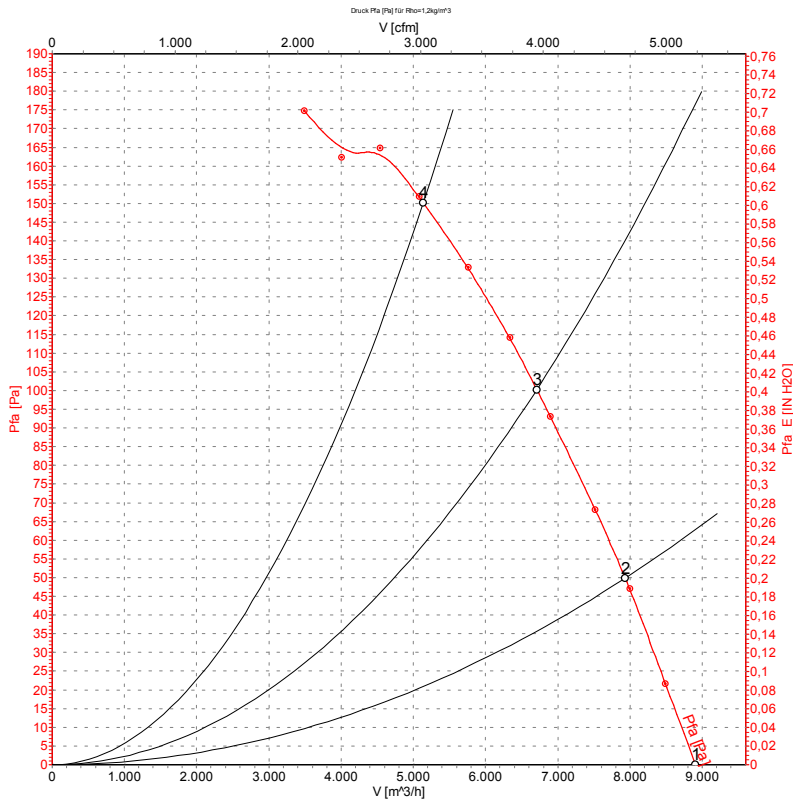
1	Direction of air flow "V"
2	Tightening torque 0.8±0.15 Nm
3	Illustration without terminal box cover
4	Cable diameter: min. 6 mm, max. 12 mm, tightening torque: 2.0±0.3 Nm

Connection screen



L	= U1 = blue	Z	brown	N	= U2 = black
PE	green / yellow	TOP	grey		

Charts: Air flow 50 Hz

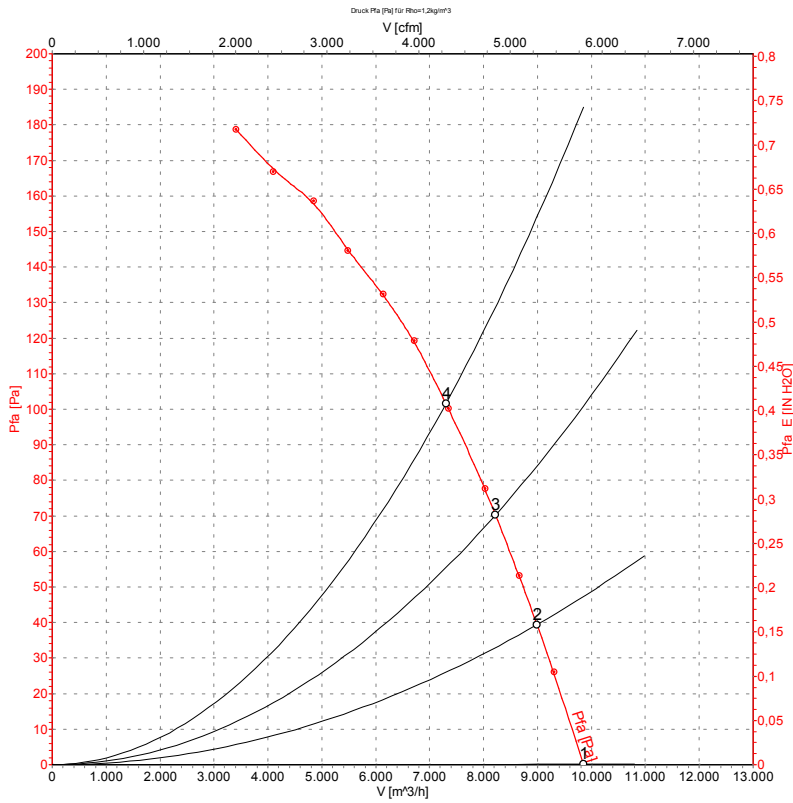


Measurement: LU-107128

Measured values

	U	f	n	P ₁	I	LpA _{ss}	LpA _{ds}	LwA _{ss}	LwA _{ds}	Ṃ	p _{fa}
	[V]	[Hz]	[min ⁻¹]	[W]	[A]	[dB(A)]	[dB(A)]	[dB(A)]	[dB(A)]	[m ³ /h]	[Pa]
1	230	50	1380	513	2.25	68	60	75	75	8905	0
2	230	50	1355	571	2.50	65	56	72	72	7930	50
3	230	50	1330	623	2.73	63	54	70	70	6705	100
4	230	50	1300	680	3.00	65	55	72	71	5140	150

Charts: Air flow 60 Hz



Measurement: LU-107130

Measured values

	U	f	n	P ₁	I	LpA _{ss}	LpA _{ds}	LwA _{ss}	LwA _{ds}	Ṃ	p _{fa}
	[V]	[Hz]	[min ⁻¹]	[W]	[A]	[dB(A)]	[dB(A)]	[dB(A)]	[dB(A)]	[m³/h]	[Pa]
1	230	60	1530	793	3.45	70	62	77	78	9850	0
2	230	60	1485	828	3.61	68	60	75	75	8990	40
3	230	60	1450	853	3.73	66	57	73	73	8220	70
4	230	60	1400	880	3.88	65	55	72	72	7300	100