

Diameter:

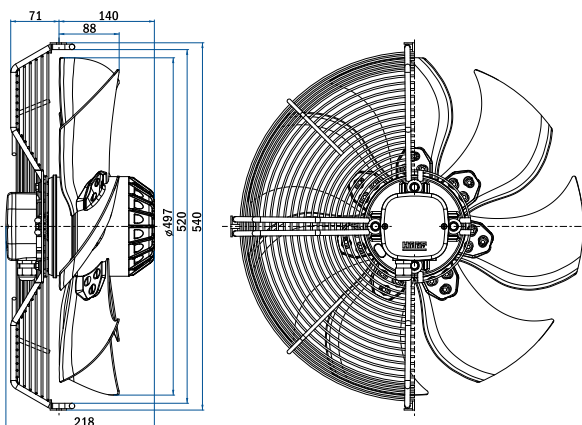
500 mm

R13_-5030H_-4T2-70101



Fan with guard grill

| Airflow Direction | Type | Code | Weight (kg) |
|-------------------|-----------------------|-------------|-------------|
| Sucking | R13R-5030HA-4T2-70101 | 0313-4-1038 | 12.5 |
| Blowing | R13R-5030HP-4T2-70101 | On request | |



Fan with plate

| Airflow Direction | Type | Code | Weight (kg) |
|-------------------|-----------------------|-------------|-------------|
| Sucking | R13P-5030HA-4T2-70101 | 0313-4-1028 | 18.0 |
| Blowing | R13P-5030HP-4T2-70101 | On request | |

Fan without guard grill

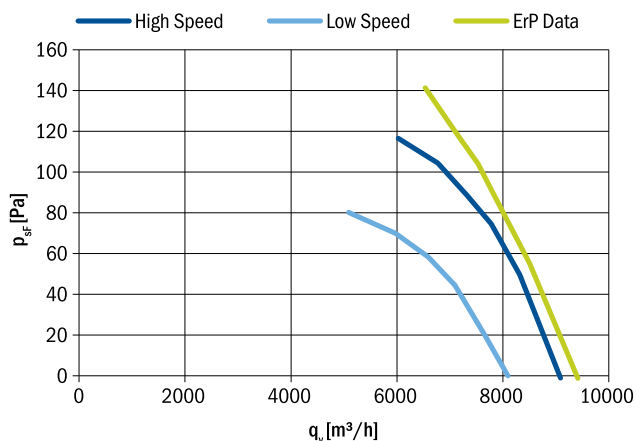
| Airflow Direction | Type | Code | Weight (kg) |
|-------------------|-----------------------|-------------|-------------|
| Sucking | R13E-5030HA-4T2-70101 | 0313-4-1068 | 10.1 |
| Blowing | R13E-5030HP-4T2-70101 | On request | |

| Nominal data according to standard EN 60335: | |
|--|---------------|
| Phase | 3~ |
| Nominal voltage | 400 V |
| Frequency | 50 Hz |
| Speed | high/low |
| Rated power input | 770/590 W |
| Rated current | 1.6/0.96 A |
| Rated speed | 1380/1165 RPM |
| Min. ambient temperature | -30 °C |
| Max. ambient temperature | 55/65 °C |
| Sound power level A weighted | 76/72 dB (A) |
| Connection | terminal box |
| Insulation class | 155 |
| Protection class | IP54 |

ErP data according to EU regulation 327/2011:

| | |
|----------------------|------------------------|
| Overall efficiency | 31.1 % |
| Measurement category | A |
| Efficiency category | static |
| Efficiency grade N | 40.2 |
| Variable speed drive | NO |
| Power input | 745 W |
| Air flow | 6519 m ³ /h |
| Pressure drop | 141 Pa |
| Speed | 1390 RPM |
| Specific ratio | 1.00 |

Aerodynamic characteristic



Fan characteristic measured in full bell mouth with guard grill.

ErP characteristic measured in full bell mouth without guard grill.

General notes

| | | |
|----------------------------|-------------------------|---------------------|
| Connection diagrams: | | |
| Sucking | 0301-1-0033 | See section |
| Blowing | 0301-1-0033 | Connection diagrams |
| Guard grills & wall-plates | See section Accessories | |
| Standards compliance | See introduction page | |