

HANDWHEELS

Handwheels

Aluminum Angular Solid Handwheel.....	73
Aluminum Angular Spoked Handwheel.....	72
Aluminum Finger Wheel	80
Nylon Angular Three-Spoked Handwheel	79
Plastic Angular Solid Handwheel.....	79
Plastic Three-Spoked Handwheel	75
Plastic Three-Spoked Handwheel With Revolving Handle	76
Plastic Two-Spoked Handwheel	74
Plastic Two-Spoked Handwheel With Revolving Handles.....	74
Plastic Two-Spoked Handwheel With Revolving Fold-Away Handle	75
Plastic Solid Handwheel.....	78
Plastic Solid Handwheel With Finger Grips and Revolving Fold-Away Handle.....	79
Plastic Solid Handwheel With Revolving, Fold-Away Handle	77
Plastic Solid Handwheel With Revolving Handle	76
Plastic Solid Handwheel With Revolving, Spring Loaded, Fold-Away Handle	77



www.aboveboardelectronics.com

1-800-453-1692

Jergens[®]

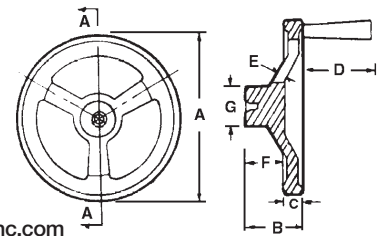
MANUFACTURING EFFICIENCY



Aluminum Angular Spoked Handwheel



- Diameters from 4" to 23" and 100mm to 575mm
- Lightweight, 319 Aluminum Alloy
- Rims machined to run concentric with center drill
- Available with or without handle
- Special bores and keyways quoted upon request
- 3D Solid Models are available in multiple formats from www.jergensinc.com



Handwheels With Handle

Part Number	A	B	C	D	E	F	G	Number Of Spokes
22308	4	1 1/2	5/8	1 5/8	1/4	1	1 3/16	2
22301	6	2	3/4	2 9/16	5/16	1 7/16	1 1/2	3
22302	8	2 1/2	7/8	2 15/16	3/8	1 7/8	2	3
22303	10	3	7/8	3 5/16	7/16	2 1/8	2 3/8	3
22304	12	3 3/8	7/8	3 5/16	7/16	2 3/16	2 1/2	3
22305	14	3 13/16	1	3 5/16	7/16	2 17/32	2 3/4	5
22306	18	4 7/8	1 1/4	3 5/16	7/16	3 1/16	4 1/8	5
22307	23	7 1/8	1 1/4	3 5/16	7/16	4 3/8	4 1/2	6

Part Number	
Handwheel Only	Handle Only
22108*	21902
22101*	21904
22102*	21905
22103*	21906
22104*	21906
22105*	21906
22106*	21906
22107*	21906

*Not tapped for handle



www.aboveboardelectronics.com
1-800-453-1692

Metric Handwheels With Handle

Part Number	A	B	C	D	E	F	G	Number Of Spokes
22358	100	38	16	41	6	25	30	2
22351	150	50	19	64	8	36	38	3
22352	200	63	22	73	9	47	50	3
22353	250	75	22	83	11	53	59	3
22354	300	84	22	83	11	55	63	3
22355	350	95	25	83	11	63	69	5
22356	450	122	31	83	11	77	103	5
22357	575	178	31	83	11	110	113	6

Part Number	
Handwheel Only	Handle Only
22108*	21952
22101*	21954
22102*	21955
22103*	21956
22104*	21956
22105*	21956
22106*	21956
22107*	21956

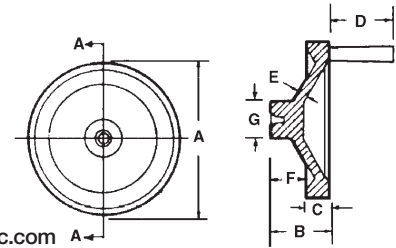
*Not tapped for handle



Aluminum Angular Solid Handwheel



- Diameters from 3" to 12" and 75mm to 300mm
- Lightweight, 319 Aluminum Alloy
- Rims machined to run concentric with center drill
- Available with or without handle
- Special bores and keyways quoted upon request
- 3D Solid Models are available in multiple formats from www.jergensinc.com



Handwheels With Handle

Part Number	A	B	C	D	E	F	G
22702	3	1 11/16	5/8	1 5/8	1/4	1 7/32	1 1/4
22703	4	1 7/8	5/8	1 5/8	3/16	1 7/16	1 1/2
22704	5	2	11/16	2 1/16	3/16	1 1/4	1 1/2
22705†	6	2	3/4	2 9/16	3/16	1 3/8	1 1/2
22706†	8	2 1/2	7/8	2 15/16	3/16	1 3/4	2
22707†	10	3 1/4	1	3 5/16	3/16	2 7/32	2 5/16
22708†	12	3 1/2	1	3 5/16	1/4	2 1/4	2 1/2

†Finger grips formed behind solid wheel rim

Part Number	
Handwheel Only	Handle Only
22502*	21902
22503*	21902
22504*	21903
22505†	21904
22506†	21905
22507†	21906
22508†	21906

*Not tapped for handle



www.aboveboardelectronics.com
1-800-453-1692

Metric Handwheels With Handle

Part Number	A	Ref. B	C	D	E	F	G
22752	75	42	16	41	6	30	31
22753	100	47	16	41	5	36	38
22754	125	50	17	52	5	31	38
22755	150	50	19	64	5	34	38
22756	200	63	22	73	5	44	50
22757	250	81	25	83	5	55	58
22758	300	88	25	83	6	56	63

*Not tapped for handle

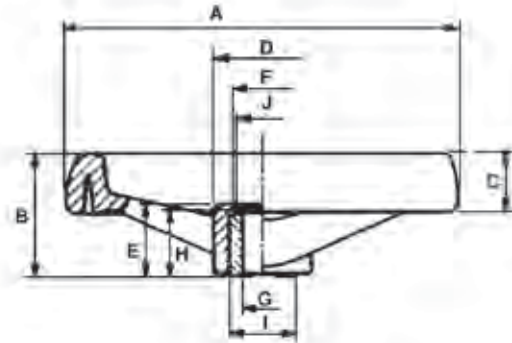
Part Number	
Handwheel Only	Handle Only
22502*	21952
22503*	21952
22504*	21953
22505*	21954
22506*	21955
22507*	21956
22508*	21956



Plastic Two-Spoked Handwheel ELESA Original Design



- Material: High Impact Strength Technopolymer
- Finish: Black Matte
- Hub: Black Oxide Steel
- Special bores and keyways quoted upon request
- Resistant to Solvents, Oils, Greases, and other Chemical Agents



Handwheels Only

Part Number	A	B	C	D	E	F	Fractional G	H	I	J
22601	3.15	1.38	0.71	0.91	0.75	0.67	5/16	0.67	0.71	0.62
22602	3.90	1.46	0.79	0.98	0.75	0.67	3/8	0.67	0.71	0.63
22603	4.92	1.73	0.87	1.22	0.98	0.83	3/8	0.87	0.87	0.79
22604	6.30	2.01	0.98	1.57	1.14	0.98	1/2	1.06	1.02	0.94
22605	7.87	2.40	1.10	1.97	1.42	1.22	5/8	1.34	1.18	1.10
22606	9.84	2.76	1.26	2.32	1.57	1.34	5/8	1.50	1.32	1.30
22607	11.81	3.07	1.42	2.60	1.81	1.65	3/4	1.69	1.57	1.46
22608	14.76	3.23	1.50	2.72	1.81	1.65	3/4	1.69	1.57	1.46

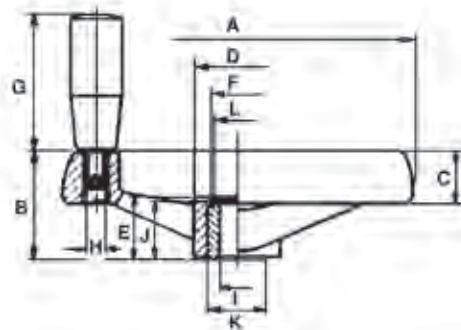


www.aboveboardelectronics.com
1-800-453-1692

Plastic Two-Spoked Handwheel With Revolving Handles ELESA Original Design



- Material: High Impact Strength Technopolymer
- Finish: Black Matte
- Hub: Black Oxide Steel
- Special bores and keyways quoted upon request
- Resistant to Solvents, Oils, Greases, and other Chemical Agents



Handwheels With Revolving Handle

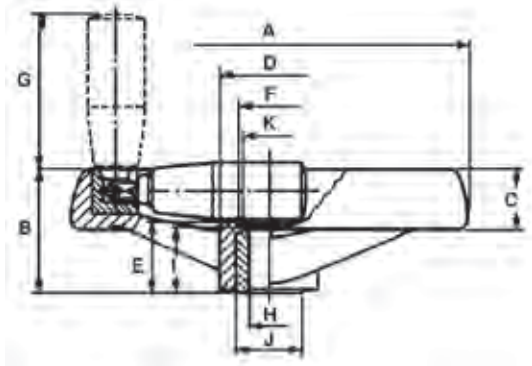
Part Number	A	B	C	D	E	F	G	H	I	J	K	L
22611	3.15	1.38	0.71	0.91	0.75	0.67	1.57	M6	0.312	0.67	0.71	0.63
22612	3.90	1.46	0.79	0.98	0.75	0.67	2.20	M6	0.375	0.67	0.71	0.63
22613	4.92	1.73	0.87	1.22	0.98	0.83	2.56	M8	0.375	0.87	0.87	0.79
22614	6.30	2.01	0.98	1.57	1.14	0.98	2.56	M8	0.500	1.06	1.02	0.94
22615	7.87	2.40	1.10	1.97	1.42	1.22	3.15	M8	0.625	1.34	1.18	1.10
22616	9.84	2.76	1.26	2.32	1.57	1.34	3.54	M10	0.625	1.50	1.38	1.30
22617	11.81	3.07	1.42	2.60	1.81	1.65	3.54	M10	0.750	1.69	1.57	1.46
22618	14.76	3.23	1.50	2.72	1.81	1.65	3.54	M10	0.750	1.69	1.57	1.46



Plastic Two-Spoked Handwheel With Revolving Fold-Away Handle ELESA Original Design



- Material: High Impact Strength Technopolymer
- Finish: Black Matte
- Hub: Black Oxide Steel
- Special bores and keyways quoted upon request
- Resistant to Solvents, Oils, Greases, and other Chemical Agents



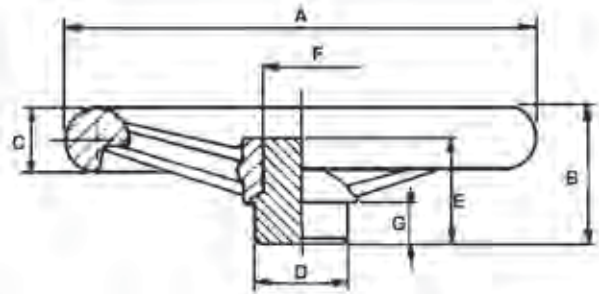
www.aboveboardelectronics.com
1-800-453-1692

Part Number	A	B	C	D	E	F	G	H	I	J	K
22621	3.15	1.38	.71	.91	.75	.67	1.96	.312	.67	.71	.62
22622	3.90	1.46	.79	.98	.75	.67	2.20	.375	.67	.71	.63
22623	4.92	1.73	.87	1.22	.98	.83	2.56	.375	.87	.87	.79
22624	6.30	2.01	.98	1.57	1.14	.98	2.56	.500	1.06	1.02	.94
22625	7.87	2.40	1.10	1.97	1.42	1.22	3.15	.625	1.34	1.18	1.10
22626	9.84	2.76	1.26	2.32	1.57	1.34	3.54	.625	1.50	1.38	1.30

Plastic Three-Spoked Handwheel ELESA Original Design



- Material: High Strength Reinforced Duroplast
- Finish: Black Bright
- Hub: Black Oxide Steel
- Special bores and keyways quoted upon request
- Resistant to Solvents, Oils, Greases, and other Chemical Agents



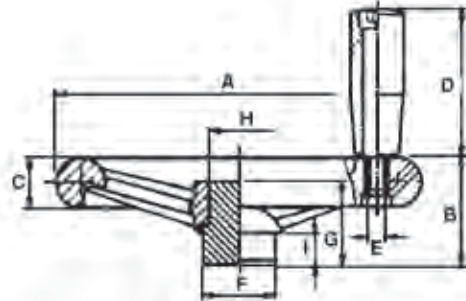
Part Number	A	B	C	D	E	F	G
22631	3.86	1.57	.55	.94	1.42	.79	.47
22632	4.88	1.77	.71	.94	1.42	.79	.47
22633	6.18	1.97	.87	1.26	1.50	.94	.59
22634	7.09	2.20	.94	1.57	1.69	1.22	.59
22635	7.80	2.20	.94	1.57	1.69	1.22	.59
22636	9.72	2.60	1.18	1.93	1.73	1.50	.59
22637	11.34	3.07	1.26	2.28	2.20	1.85	.71
22638	14.76	4.25	1.57	2.28	3.03	2.28	1.02



Plastic Three-Spoked Handwheel With Revolving Handle ELESA Original Design



- Material: High Strength Reinforced Duroplast
- Finish: Black Bright
- Hub: Black Oxide Steel
- Special bores and keyways quoted upon request
- Resistant to Solvents, Oils, Greases, and other Chemical Agents



Part Number	A	B	C	D	E	F	G	H	I
22641	3.86	1.57	.55	1.57	M6	.94	1.42	.79	.47
22642	4.88	1.77	.71	1.97	M8	.94	1.42	.79	.47
22643	6.18	1.97	.87	2.56	M8	1.26	1.50	.94	.59
22644	7.09	2.20	.94	3.15	M10	1.57	1.69	1.22	.59
22645	7.80	2.20	.94	3.15	M10	1.57	1.69	1.22	.59
22646	9.72	2.60	1.18	3.54	M10	1.93	1.73	1.50	.59
22647	11.34	3.07	1.26	3.94	M12	2.28	2.20	1.85	.71
22648	14.76	4.25	1.57	3.94	M14	2.28	3.03	2.28	1.02

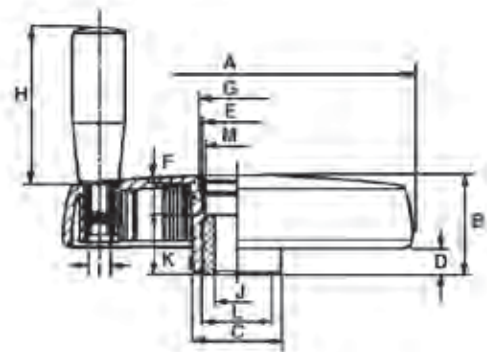


www.aboveboardelectronics.com
1-800-453-1692

Plastic Solid Handwheel With Revolving Handle ELESA Original Design



- Material: High Impact Strength Technopolymer
- Finish: Black Matte
- Hub: Black Oxide Steel
- Special bores and keyways quoted upon request
- Resistant to Solvents, Oils, Greases, and other Chemical Agents



Part Number	A	B	C	D	E	F	G	H	I	J	K	L	M
22801	3.27	1.14	.98	.35	.75	.31	.82	1.57	M6	.312	.67	.71	.63
22802	4.02	1.34	1.18	.39	.98	.35	1.06	1.97	M6	.375	.87	.87	.79
22803	4.92	1.54	1.38	.43	1.10	.31	1.22	2.20	M6	.375	1.06	1.02	.94
22804	5.91	1.73	1.50	.47	1.18	.39	1.34	2.56	M8	.500	1.18	1.02	.94
22805	6.93	1.93	1.73	.51	1.38	.63	1.54	3.15	M10	.500	1.10	1.38	1.30
22806	7.87	2.09	1.97	.55	1.57	.51	1.73	3.54	M10	.625	1.42	1.57	1.50
22807	9.84	2.36	2.24	.66	1.88	.75	1.97	3.54	M10	.625	1.42	1.57	1.50

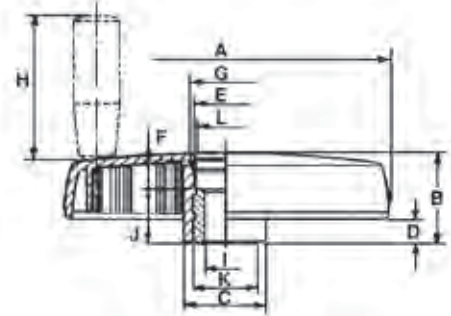


Plastic Solid Handwheel With Revolving, Fold-Away Handle ELESA Original Design



- Material: High Impact Strength Technopolymer
- Finish: Black Matte
- Hub: Black Oxide Steel
- Special bores and keyways quoted upon request
- Resistant to Solvents, Oils, Greases, and other Chemical Agents

This type of handwheel with fold-away handle has been designed for applications where limited space or safety reasons demand that the handle be folded back flat after manual use.



Part Number	A	B	C	D	E	F	G	H	I	J	K	L
22811	3.27	1.50	0.98	0.73	0.53	0.14	0.65	1.77	0.312	0.67	0.71	0.63
22812	4.02	1.34	1.18	0.39	0.98	0.35	1.06	1.97	0.375	0.87	0.87	0.79
22813	4.92	1.54	1.38	0.43	1.10	0.31	1.22	2.20	0.375	1.06	1.02	0.94
22814	5.91	1.73	1.50	0.47	1.18	0.39	1.34	2.56	0.50	1.18	1.02	0.94
22815	6.93	1.93	1.73	0.51	1.38	0.63	1.54	3.15	0.50	1.10	1.38	1.30
22816	7.87	2.09	1.97	0.55	1.57	0.51	1.73	3.54	0.625	1.42	1.57	1.50
22817	9.84	2.36	2.24	0.66	1.88	0.74	1.97	3.54	0.625	1.42	1.57	1.50



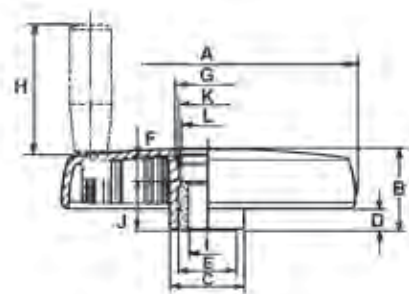
www.aboveboardelectronics.com
1-800-453-1692

Plastic Solid Handwheel With Revolving, Spring Loaded, Fold-Away Handle ELESA Original Design



- Material: High Impact Strength Technopolymer
- Finish: Black Matte
- Hub: Black Oxide Steel
- Special bores and keyways quoted upon request
- Resistant to Solvents, Oils, Greases, and other Chemical Agents

This handwheel has a special spring loaded handle which automatically folds down into the cavity of the handwheel when the operator releases it. The handle disengages only when the axial pressure exerted by the operator ceases.



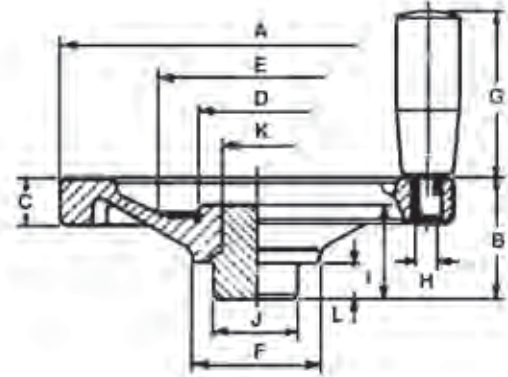
Part Number	A	B	C	D	E	F	G	H	I	J	K	L
22825	6.93	1.93	1.73	.51	1.38	.63	1.54	3.15	.500	1.10	1.38	1.30
22826	7.87	2.09	1.97	.55	1.57	.51	1.75	3.54	.625	1.42	1.57	1.50
22827	9.84	2.36	2.24	.66	1.88	.74	1.96	3.54	.625	1.42	1.57	1.50



Plastic Solid Handwheel ELESA Original Design



- Material: High Strength Reinforced Duroplast
- Finish: Black Bright
- Hub: Black Oxide Steel
- Special bores and keyways quoted upon request
- Resistant to Solvents, Oils, Greases, and other Chemical Agents



www.aboveboardelectronics.com
1-800-453-1692

Part Number	A	B	C	D	E	F	G	H	I	J	K	L
22831	3.15	1.22	0.55	1.10	1.69	1.18	—	—	1.10	0.79	0.71	0.39
22841*	3.15	1.22	0.55	1.10	1.69	1.18	1.57	M6	1.10	0.79	0.71	0.39
22832	3.94	1.57	0.59	1.38	2.13	1.54	—	—	1.42	0.94	0.87	0.47
22842*	3.94	2.01	1.02	1.38	2.13	1.54	1.97	M6	1.42	0.94	0.79	0.47
22833	4.92	1.73	0.59	1.73	2.76	1.81	—	—	1.50	1.26	1.04	0.59
22843*	4.92	2.24	1.10	1.73	2.76	1.81	2.56	M8	1.50	1.26	0.96	0.59
22834	5.91	2.40	1.18	1.97	3.14	1.89	—	—	1.50	1.26	1.04	0.59
22844*	5.91	2.36	1.18	1.97	3.15	1.89	2.56	M8	1.50	1.26	0.96	0.59
22835	6.89	2.13	0.75	2.17	3.54	2.20	—	—	1.69	1.57	1.30	0.59
22845*	6.89	2.60	1.26	2.17	3.54	2.20	3.15	M10	1.69	1.57	1.22	0.59
22836	7.87	2.28	0.83	2.17	3.54	2.36	—	—	1.69	1.57	1.30	0.59
22846*	7.87	2.68	1.26	2.17	3.54	2.36	3.54	M10	1.69	1.57	1.22	0.59
22837	9.80	2.56	0.98	2.60	4.33	2.76	—	—	1.73	1.93	1.57	0.59
22847*	9.80	2.95	1.42	2.60	4.33	2.76	3.54	M10	1.73	1.93	1.50	0.59
22838	11.85	2.95	0.98	3.70	5.83	3.23	—	—	2.20	2.28	2.28	0.71
22848*	11.85	3.43	1.42	3.70	5.83	3.23	3.54	M10	2.20	2.28	2.28	0.71

* With Revolving Handle

Jergens offers 3D models

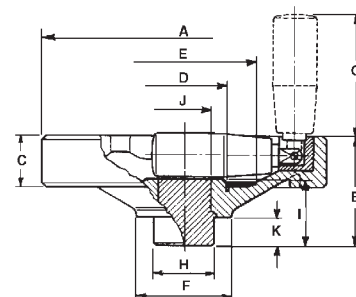
for all handles, knobs and handwheels
at www.jergensinc.com



Plastic Solid Handwheel With Finger Grips and Revolving Fold-Away Handle ELESA Original Design



- Material: High Strength Reinforced Duroplast
- Finish: Black Bright
- Hub: Black Oxide Steel
- Special bores and keyways quoted upon request
- Resistant to Solvents, Oils, Greases, and other Chemical Agents

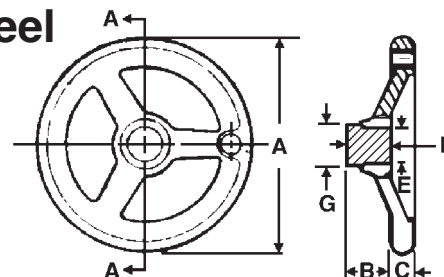


Part Number	A	B	C	D	E	F	G	H	I	J	K
22852	3.94	2.01	1.02	1.38	2.13	1.54	2.20	0.94	1.32	0.79	0.47
22853	4.92	2.24	1.10	1.73	2.76	1.81	2.56	1.26	1.50	1.00	0.59
22854	5.91	2.36	1.18	1.97	3.15	1.89	2.56	1.26	1.50	0.96	0.59
22855	6.89	2.60	1.26	2.17	3.54	2.20	3.15	1.57	1.69	1.22	0.59
22856	7.87	2.68	1.26	2.17	3.54	2.36	3.54	1.57	1.69	1.22	0.59
22857	9.80	2.95	1.42	2.60	4.33	2.76	3.54	1.93	1.73	1.50	0.59

Nylon Angular Three-Spoked Handwheel



- Material: Wheel, 6-6 Nylon
Hub, Cast Iron
- Finish: Wheel, Black
Hub, Black Oxide
- Threaded Brass Inserts have serrated O.D. for rigid union with Handwheel.
- All Wheels have three spokes
- Special bores and keyways quoted upon request
- 3D Solid Models are available in multiple formats from www.jergensinc.com



Part Number	A	B	C	E	F	G	Thread Size
34051	4	1 3/32	9/16	15/16	15/16	1 1/16	M8 x 1.25
34054	6	1 13/32	23/32	1 3/16	1 3/8	1 3/8	M10 x 1.50
34055	8	1 13/32	7/8	1 3/8	1 29/32	1 17/32	M10 x 1.50

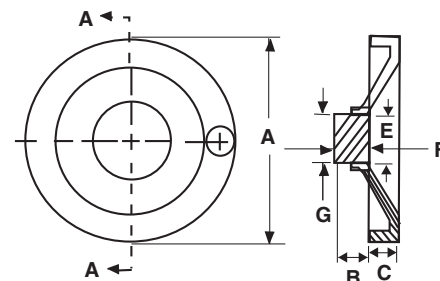


www.aboveboardelectronics.com
1-800-453-1692

Plastic Angular Solid Handwheel



- Material: Wheel, Acetal Co-Polymer
Hub, Cast Iron
- Finish: Wheel, Black
Hub, Black Oxide
- Threaded Brass Inserts have serrated O.D. for rigid union with Handwheel.
- Aluminum Center Plate can be imprinted with your company name, instructions, etc.
- Special bores and keyways quoted upon request
- 3D Solid Models are available in multiple formats from www.jergensinc.com



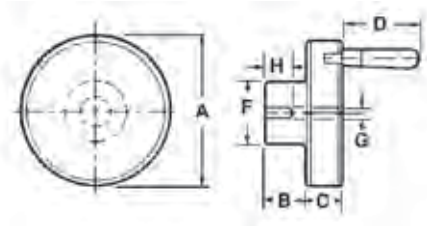
Part Number	A	B	C	E	F	G	Thread Size
34061	5	1 1/8	5/8	1	1 1/8	1 1/8	M8 x 1.25
34062	6	1 11/32	23/32	1 3/16	1 11/32	1 11/32	M10 x 1.50
34063	8	1 29/32	25/32	1 3/8	1 29/32	1 17/32	M10 x 1.50



Aluminum Finger Wheel



- Material: 2024 Aluminum
- Finish: Black Anodize
- Knurled O.D. for better gripping
- Revolving handle and reamed hole are included
- Special bores and keyways quoted upon request
- 3D Solid Models are available in multiple formats from www.jergensinc.com



Finger Wheel With Handle

Part Number	A	B	C	D	F	G	H	Part Number	
								Wheel Only	Handle Only
22721	2	9/16	9/16	1 1/8	13/16	3/8	7/8	22521	21911

Metric Finger Wheel With Handle

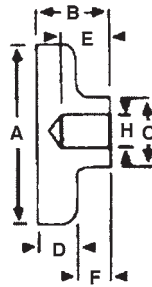
Part Number	A	B	C	D	F	G	H	Part Number	
								Wheel Only	Handle Only
22771	50	14	14	28	20	10	22	22571*	21951

*Not tapped for handle



www.aboveboardelectronics.com
1-800-453-1692

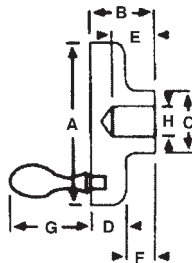
Aluminum Finger Wheel



- Material: 2024 Aluminum
- Finish: Clear anodized polished to a high luster
- Special bores and keyways quoted upon request
- Outer rim is knurled

Finger Wheels

Part Number	A	B	C	D	E	F	H
21280	1	13/16	1/2	3/8	—	7/16	Blank
21281	2	1 1/8	13/16	9/16	—	9/16	Blank
21282	3	1 1/4	1 1/4	11/16	—	9/16	Blank
21285	1	13/16	1/2	3/8	5/8	7/16	1/4
21286	2	1 1/8	13/16	9/16	7/8	9/16	3/8
21287	3	1 1/4	1 1/4	11/16	7/8	9/16	5/8



Finger Wheels With Handle

Part Number	A	B	C	D	E	F	G	H
21291	2	1 1/8	13/16	9/16	—	9/16	1 9/32	Blank
21292	3	1 1/4	1 1/4	9/16	—	9/16	1 15/16	Blank
21296	2	1 1/8	13/16	9/16	7/8	9/16	1 9/32	3/8
21297	3	1 1/4	1 1/4	9/16	7/8	9/16	1 15/16	5/8

Note: Also available in Stainless Steel

HANDLES, LEVERS & CRANKS



www.aboveboardelectronics.com
1-800-453-1692

Handles, Levers & Cranks

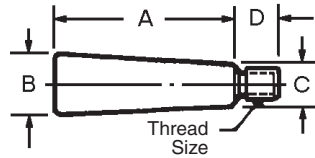
Adjustable Handle.....	106	Plastic Button Head Adjustable Tapped Handle With Stainless Steel Insert	108
Adjustable Handle With Stud.....	106	Plastic Crank With Revolving Fold-Away Handle.....	97
Aluminum Balanced Crank Handle.....	99	Plastic Crank With Revolving Handle	97
Aluminum Revolving and Solid Handle.....	82	Plastic Folding Handle.....	82
Aluminum Tubular Handle	113	Plastic Fixed Handle.....	82
Aluminum & Malleable Clamping Levers	102	Plastic Handle.....	112
Aluminum & Malleable Offset Handle.....	101	Plastic Heavy Duty Tapered Handle	95
Aluminum & Malleable Speed Handle	98	Plastic Light Duty Tapered Handle	95
Back Mounted Bridge Handle	111	Plastic Pull/Lift Handle	113
Balanced Crank Handle.....	99	Plastic Revolving Fold-Away Handle	96
Cam Levers Adjustable External Thread	85	Plastic Revolving Heavy Duty Handle With Steel Shank	93
Cam Levers Adjustable Plastic External Thread	91	Plastic Revolving Handle With Steel Through Shank	93
Cam Levers Adjustable Stainless Steel External Thread	90	Plastic Revolving Handle With Steel Shank.....	94
Cam Levers External Thread	83-86	Revolving Handle	94
Cam Levers Plastic External Thread.....	88	Single Handle Locking Lever.....	101
Cam Levers Plastic Internal Thread	89	Steel Clamp Lever.....	100
Cam Levers Stainless Steel External Thread	86	Steel Solid and Revolving Balanced Crank Handle.....	99
Cam Levers Stainless Steel Internal Thread	87		
Control Lever.....	110		
Double Handle Locking Lever	102		
Ergonomic Style Steel Handles.....	92		
Fold-Away Handle	96		
Forged Crank Handle.....	100		
Front Mounted Bridge Handle.....	111		
Handle With Steel Shank	93		
Machine Guard Handles.....	110		
Metal Adjustable Handles	103-105		
Plastic Adjustable Handle With Stainless Steel Stud	108		
Plastic Button Head Tapped Adjustable Handle	107, 109		
Plastic Button Head Adjustable Handle With Stud	107, 109		



MANUFACTURING EFFICIENCY



Aluminum Revolving and Solid Handle



- Material: Handle, 2024 Aluminum
Stem, Low Carbon Steel
- Finish: Revolving Handle, Clear or Black Anodize
Stem for Revolving Handle, Zinc Plate
Solid Handle, Plain
- 3D Solid Models are available in multiple formats
from www.jergensinc.com

Aluminum Revolving Handles

Part Number		A	B	C	D	Thread Size	Wt. (lbs)
Clear	Black						
21901	21911	1 1/8	7/16	3/8	3/8	10-24	.02
21902	21912	1 9/16	5/8	1/2	7/16	1/4-20	.03
21903	21913	2	7/8	9/16	1/2	5/16-18	.08
21904	21914	2 1/2	1	3/4	1/2	3/8-16	.19
21905	21915	2 7/8	1 1/8	15/16	1/2	1/2-13	.23
21906	21916	3 1/4	1 1/4	15/16	1/2	1/2-13	.39

Solid Handles

Part Number	Wt. (lbs)
—	—
10301	.03
10302	.10
10303	.15
—	—
10304	.31

Metric

Clear	Black	A	B	C	D	Thread Size
Part Number*						
21951	21961	28	11	9	9	M5
21952	21962	39	16	13	11	M6
21953	21963	50	22	14	13	M8
21954	21964	63	25	19	13	M10
21955	21965	72	28	23	13	M12
21956	21966	82	31	23	13	M12

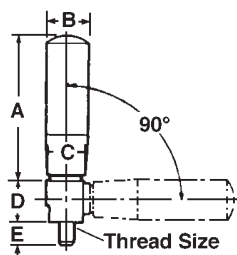
*Dimensions in millimeters

- Material: Handles: 2024 Aluminum
Stem: Low Carbon Steel
- Finish: Clear or Black Anodize
Stem: Zinc Plate
- Thread: Class 6g



www.aboveboardelectronics.com
1-800-453-1692

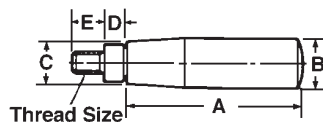
Plastic Folding Handle



- Material: Handle, 6-6 Nylon Stem, Steel
- Finish: Handle, Black Stem, Chrome Plated
- Folds out of the way
- 3D Solid Models are available in multiple formats from www.jergensinc.com

Part Number	A	B	C	D	E	Thread Size
34070	2 1/4	25/32	25/32	7/8	1/2	M8 x 1.25
34071	3	25/32	25/32	7/8	9/16	M10 x 1.50

Plastic Fixed Handle



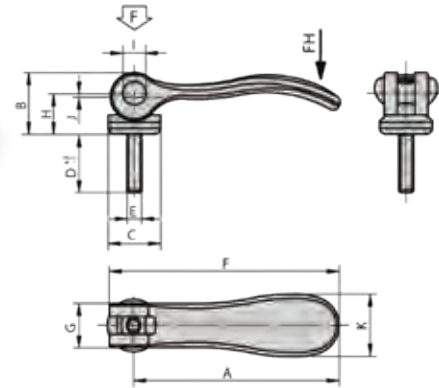
- Material: Handle, 6-6 Nylon Stem, Steel
- Finish: Handle, Black Stem, Chrome Plated
- 3D Solid Models are available in multiple formats from www.jergensinc.com

Part Number	A	B	C	D	E	Thread Size
34075	2 9/32	5/8	9/16	5/16	1/2	M8 x 1.25
34076	2 15/32	7/8	11/16	23/32	9/16	M10 x 1.50



Cam Levers External Thread, Inch

- High quality industrial cam lever for clamping and quick change applications
- The external thread version features a threaded stud pinged to the hinge pin for tool-less clamping. The internal thread version features a threaded hinge pin for attachment to an existing threaded stud.
- Available in inch or metric threads
- Cast aluminum handle, powder-coated in black
- Threaded components and washer in steel, trivalent blue passivated, or stainless steel
- Fiberglass reinforced plastic thrust washer



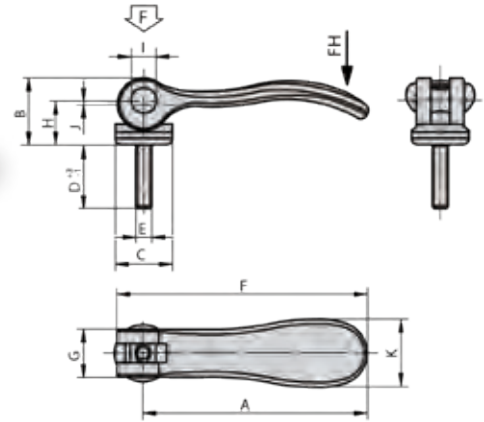
www.aboveboardelectronics.com
1-800-453-1692

INCH, EXTERNAL		A	B	C	D	E	F	G	H	I	STROKE J	K	CLAMPING FORCE (lb-ft)	HAND FORCE lbf
STEEL	S.S.													
40015	41015	1.43	0.51	0.47	0.39	6-32	1.64	0.45	0.35	0.24	0.04	0.57	1106	20
40016	41016	1.43	0.51	0.47	0.59	6-32	1.64	0.45	0.35	0.24	0.04	0.57	1106	20
40017	41017	1.43	0.51	0.47	1.18	6-32	1.64	0.45	0.35	0.24	0.04	0.57	1106	20
40018	41018	1.43	0.51	0.47	0.39	8-32	1.64	0.45	0.35	0.24	0.04	0.57	1106	20
40019	41019	1.43	0.51	0.47	0.59	8-32	1.64	0.45	0.35	0.24	0.04	0.57	1106	20
40020	41020	1.43	0.51	0.47	1.18	8-32	1.64	0.45	0.35	0.24	0.04	0.57	1106	20
40021	41021	2.06	0.67	0.61	0.59	8-32	2.33	0.51	0.44	0.32	0.04	0.71	1843	22
40022	41022	2.06	0.67	0.61	0.79	8-32	2.33	0.51	0.44	0.32	0.04	0.71	1843	22
40023	41023	2.06	0.67	0.61	1.18	8-32	2.33	0.51	0.44	0.32	0.04	0.71	1843	22
40024	41024	2.06	0.67	0.61	0.79	10-24	2.33	0.51	0.44	0.32	0.04	0.71	1843	22
40025	41025	2.06	0.67	0.61	1.18	10-24	2.33	0.51	0.44	0.32	0.04	0.71	1843	22
40026	41026	2.06	0.67	0.61	1.57	10-24	2.33	0.51	0.44	0.32	0.04	0.71	1843	22
40027	41027	2.06	0.67	0.61	1.97	10-24	2.33	0.51	0.44	0.32	0.04	0.71	1843	22
40028	41028	2.06	0.67	0.61	0.79	10-32	2.33	0.51	0.44	0.32	0.04	0.71	1843	22
40029	41029	2.06	0.67	0.61	1.18	10-32	2.33	0.51	0.44	0.32	0.04	0.71	1843	22
40030	41030	2.06	0.67	0.61	1.57	10-32	2.33	0.51	0.44	0.32	0.04	0.71	1843	22
40031	41031	2.06	0.67	0.61	1.97	10-32	2.33	0.51	0.44	0.32	0.04	0.71	1843	22
40032	41032	2.77	0.87	0.71	0.79	10-32	3.12	0.59	0.57	0.35	0.05	0.85	2950	26
40033	41033	2.77	0.87	0.71	1.18	10-32	3.12	0.59	0.57	0.35	0.05	0.85	2950	26
40034	41034	2.77	0.87	0.71	1.57	10-32	3.12	0.59	0.57	0.35	0.05	0.85	2950	26
40035	41035	2.77	0.87	0.71	1.97	10-32	3.12	0.59	0.57	0.35	0.05	0.85	2950	26
40036	41036	2.77	0.87	0.71	0.79	1/4/20	3.12	0.59	0.57	0.35	0.05	0.85	2950	26
40037	41037	2.77	0.87	0.71	1.18	1/4/20	3.12	0.59	0.57	0.35	0.05	0.85	2950	26
40038	41038	2.77	0.87	0.71	1.57	1/4/20	3.12	0.59	0.57	0.35	0.05	0.85	2950	26
40039	41039	2.77	0.87	0.71	1.97	1/4/20	3.12	0.59	0.57	0.35	0.05	0.85	2950	26
40040	41040	3.78	1.12	1.07	0.98	5/16-18	4.25	0.94	0.71	0.43	0.06	1.31	5900	78
40041	41041	3.78	1.12	1.07	1.18	5/16-18	4.25	0.94	0.71	0.43	0.06	1.31	5900	78
40042	41042	3.78	1.12	1.07	1.57	5/16-18	4.25	0.94	0.71	0.43	0.06	1.31	5900	78
40043	41043	3.78	1.12	1.07	1.97	5/16-18	4.25	0.94	0.71	0.43	0.06	1.31	5900	78
40044	41044	3.78	1.12	1.07	0.98	3/8-16	4.25	0.94	0.71	0.43	0.06	1.31	5900	78
40045	41045	3.78	1.12	1.07	1.18	3/8-16	4.25	0.94	0.71	0.43	0.06	1.31	5900	78
40046	41046	3.78	1.12	1.07	1.57	3/8-16	4.25	0.94	0.71	0.43	0.06	1.31	5900	78
40047	41047	3.78	1.12	1.07	1.97	3/8-16	4.25	0.94	0.71	0.43	0.06	1.31	5900	78



Cam Levers External Thread, Metric

- High quality industrial cam lever for clamping and quick change applications
- The external thread version features a threaded stud pinged to the hinge pin for tool-less clamping. The internal thread version features a threaded hinge pin for attachment to an existing threaded stud.
- Available in inch or metric threads
- Cast aluminum handle, powder-coated in black
- Threaded components and washer in steel, trivalent blue passivated, or stainless steel
- Fiberglass reinforced plastic thrust washer



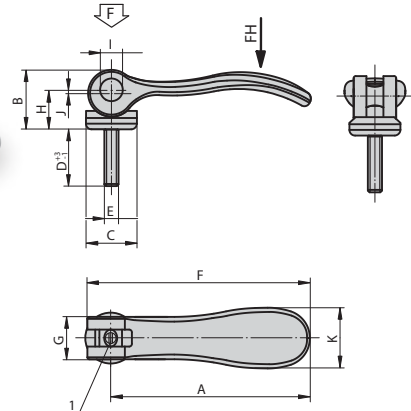
www.aboveboardelectronics.com
1-800-453-1692

METRIC, EXTERNAL		A	B	C	D	E	F	G	H	I	STROKE J	K	CLAMPING FORCE (kN)	HAND FORCE N
STEEL	S.S.													
40048	41048	36.2	13	12	10	M3	41.7	11.5	9	6	1	14.4	1.5	90
40049	41049	36.2	13	12	15	M3	41.7	11.5	9	6	1	14.4	1.5	90
40050	41050	36.2	13	12	30	M3	41.7	11.5	9	6	1	14.4	1.5	90
40051	41051	36.2	13	12	10	M4	41.7	11.5	9	6	1	14.4	1.5	90
40052	41052	36.2	13	12	15	M4	41.7	11.5	9	6	1	14.4	1.5	90
40053	41053	36.2	13	12	30	M4	41.7	11.5	9	6	1	14.4	1.5	90
40054	41054	52.3	17	15.4	15	M4	59.1	13	11.2	8	1	18	2.5	100
40055	41055	52.3	17	15.4	20	M4	59.1	13	11.2	8	1	18	2.5	100
40056	41056	52.3	17	15.4	30	M4	59.1	13	11.2	8	1	18	2.5	100
40057	41057	52.3	17	15.4	20	M5	59.1	13	11.2	8	1	18	2.5	100
40058	41058	52.3	17	15.4	30	M5	59.1	13	11.2	8	1	18	2.5	100
40059	41059	52.3	17	15.4	40	M5	59.1	13	11.2	8	1	18	2.5	100
40060	41060	52.3	17	15.4	50	M5	59.1	13	11.2	8	1	18	2.5	100
40061	41061	70.4	22	18.1	20	M5	79.2	15	14.5	9	1.2	21.5	4	120
40062	41062	70.4	22	18.1	30	M5	79.2	15	14.5	9	1.2	21.5	4	120
40063	41063	70.4	22	18.1	40	M5	79.2	15	14.5	9	1.2	21.5	4	120
40064	41064	70.4	22	18.1	50	M5	79.2	15	14.5	9	1.2	21.5	4	120
40065	41065	70.4	22	18.1	20	M6	79.2	15	14.5	9	1.2	21.5	4	120
40066	41066	70.4	22	18.1	30	M6	79.2	15	14.5	9	1.2	21.5	4	120
40067	41067	70.4	22	18.1	40	M6	79.2	15	14.5	9	1.2	21.5	4	120
40068	41068	70.4	22	18.1	50	M6	79.2	15	14.5	9	1.2	21.5	4	120
40069	41069	96	28.5	27.1	25	M8	108	24	18	11	1.5	33.3	8	350
40070	41070	96	28.5	27.1	30	M8	108	24	18	11	1.5	33.3	8	350
40071	41071	96	28.5	27.1	40	M8	108	24	18	11	1.5	33.3	8	350
40072	41072	96	28.5	27.1	50	M8	108	24	18	11	1.5	33.3	8	350
40073	41073	96	28.5	27.1	25	M8	108	24	18	11	1.5	33.3	8	350
40074	41074	96	28.5	27.1	30	M8	108	24	18	11	1.5	33.3	8	350
40075	41075	96	28.5	27.1	40	M8	108	24	18	11	1.5	33.3	8	350
40076	41076	96	28.5	27.1	50	M8	108	24	18	11	1.5	33.3	8	350



Cam Levers, Adjustable External Thread, Inch

- High quality industrial cam lever for clamping and quick change applications
- The threaded stud is free to rotate in the hinge pin. A screwdriver slot enables the user to adjust the tension of the stud and control the point at which the handle achieves optimal clamping. This is particularly useful in applications where obstructions permit clamping in less than a 360° circle.
- Available in inch or metric threads
- Cast aluminum handle, powder-coated in black
- Threaded components and washer in steel, trivalent blue passivated, or stainless steel
- Fiberglass reinforced plastic thrust washer



1. Screwdriver slot for fine adjustment of cam lever.



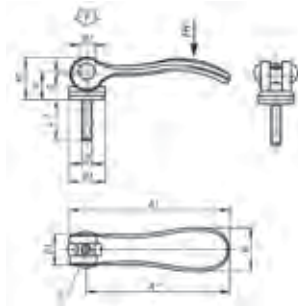
www.aboveboardelectronics.com
1-800-453-1692

INCH		A	B	C	D	E	F	G	H	I	STROKE J	K	CLAMPING FORCE (lb-ft)	HAND FORCE lbf
STEEL	S.S.													
40115	41210	1.43	0.51	0.47	0.39	6-32	1.64	0.45	0.35	0.24	0.04	0.57	337	20
40116	41211	1.43	0.51	0.47	0.59	6-32	1.64	0.45	0.35	0.24	0.04	0.57	337	20
40117	41212	1.43	0.51	0.47	1.18	6-32	1.64	0.45	0.35	0.24	0.04	0.57	337	20
40118	41213	1.43	0.51	0.47	0.39	8-32	1.64	0.45	0.35	0.24	0.04	0.57	337	20
40119	41214	1.43	0.51	0.47	0.59	8-32	1.64	0.45	0.35	0.24	0.04	0.57	337	20
40120	41215	1.43	0.51	0.47	1.18	8-32	1.64	0.45	0.35	0.24	0.04	0.57	337	20
40121	41216	2.06	0.67	0.61	0.59	8-32	2.33	0.51	0.44	0.32	0.04	0.71	562	22
40122	41217	2.06	0.67	0.61	0.79	8-32	2.33	0.51	0.44	0.32	0.04	0.71	562	22
40123	41218	2.06	0.67	0.61	1.18	8-32	2.33	0.51	0.44	0.32	0.04	0.71	562	22
40124	41219	2.06	0.67	0.61	0.79	10-24	2.33	0.51	0.44	0.32	0.04	0.71	562	22
40125	41220	2.06	0.67	0.61	1.18	10-24	2.33	0.51	0.44	0.32	0.04	0.71	562	22
40126	41221	2.06	0.67	0.61	1.57	10-24	2.33	0.51	0.44	0.32	0.04	0.71	562	22
40127	41222	2.06	0.67	0.61	1.97	10-24	2.33	0.51	0.44	0.32	0.04	0.71	562	22
40128	41223	2.06	0.67	0.61	0.79	10-32	2.33	0.51	0.44	0.32	0.04	0.71	562	22
40129	41224	2.06	0.67	0.61	1.18	10-32	2.33	0.51	0.44	0.32	0.04	0.71	562	22
40130	41225	2.06	0.67	0.61	1.57	10-32	2.33	0.51	0.44	0.32	0.04	0.71	562	22
40131	41226	2.06	0.67	0.61	1.97	10-32	2.33	0.51	0.44	0.32	0.04	0.71	562	22
40132	41227	2.77	0.87	0.71	0.79	10-32	3.12	0.59	0.57	0.35	0.05	0.85	899	27
40133	41228	2.77	0.87	0.71	1.18	10-32	3.12	0.59	0.57	0.35	0.05	0.85	899	27
40134	41229	2.77	0.87	0.71	1.57	10-32	3.12	0.59	0.57	0.35	0.05	0.85	899	27
40135	41230	2.77	0.87	0.71	1.97	10-32	3.12	0.59	0.57	0.35	0.05	0.85	899	27
40136	41231	2.77	0.87	0.71	0.79	1/4/20	3.12	0.59	0.57	0.35	0.05	0.85	899	27
40137	41232	2.77	0.87	0.71	1.18	1/4/20	3.12	0.59	0.57	0.35	0.05	0.85	899	27
40138	41233	2.77	0.87	0.71	1.57	1/4/20	3.12	0.59	0.57	0.35	0.05	0.85	899	27
40139	41234	2.77	0.87	0.71	1.97	1/4/20	3.12	0.59	0.57	0.35	0.05	0.85	899	27
40140	41235	3.78	1.12	1.07	0.98	5/16-18	4.25	0.94	0.71	0.43	0.06	1.31	1798	79
40141	41236	3.78	1.12	1.07	1.18	5/16-18	4.25	0.94	0.71	0.43	0.06	1.31	1798	79
40142	41237	3.78	1.12	1.07	1.57	5/16-18	4.25	0.94	0.71	0.43	0.06	1.31	1798	79
40143	41238	3.78	1.12	1.07	1.97	5/16-18	4.25	0.94	0.71	0.43	0.06	1.31	1798	79
40144	41239	3.78	1.12	1.07	0.98	3/8-16	4.25	0.94	0.71	0.43	0.06	1.31	1798	79
40145	41240	3.78	1.12	1.07	1.18	3/8-16	4.25	0.94	0.71	0.43	0.06	1.31	1798	79
40146	41241	3.78	1.12	1.07	1.57	3/8-16	4.25	0.94	0.71	0.43	0.06	1.31	1798	79
40147	41242	3.78	1.12	1.07	1.97	3/8-16	4.25	0.94	0.71	0.43	0.06	1.31	1798	79



Cam Levers, Stainless Steel External Thread, Inch

- High quality industrial cam lever for clamping and quick change applications
- The adjustable cam lever with a stainless steel handle. The threaded stud is free to rotate in the hinge pin, which is pinned. A screwdriver slot enables the user to adjust the tension of the stud and control the point at which the handle achieves optimal clamping. This is particularly useful in applications where obstructions permit clamping in less than a 360° circle.
- Available in inch or metric threads
- Fiberglass reinforced plastic thrust washer



INCH	A	B	C	D	E	F	G	H	I	STROKE J	K	CLAMP-ING FORCE (lb-ft)	HAND FORCE lbf
41272	2.77	0.87	0.71	0.79	10-32	3.12	0.59	0.57	0.35	0.05	0.85	2950	26
41273	2.77	0.87	0.71	1.18	10-32	3.12	0.59	0.57	0.35	0.05	0.85	2950	26
41274	2.77	0.87	0.71	1.57	10-32	3.12	0.59	0.57	0.35	0.05	0.85	2950	26
41275	2.77	0.87	0.71	1.97	10-32	3.12	0.59	0.57	0.35	0.05	0.85	2950	26
41276	2.77	0.87	0.71	0.79	1/4-20	3.12	0.59	0.57	0.35	0.05	0.85	2950	26
41277	2.77	0.87	0.71	1.18	1/4-20	3.12	0.59	0.57	0.35	0.05	0.85	2950	26
41278	2.77	0.87	0.71	1.57	1/4-20	3.12	0.59	0.57	0.35	0.05	0.85	2950	26
41279	2.77	0.87	0.71	1.97	1/4-20	3.12	0.59	0.57	0.35	0.05	0.85	2950	26
41280	3.78	1.12	1.07	0.98	5/16-18	4.25	0.94	0.71	0.43	0.06	1.31	5900	78
41281	3.78	1.12	1.07	1.18	5/16-18	4.25	0.94	0.71	0.43	0.06	1.31	5900	78
41282	3.78	1.12	1.07	1.57	5/16-18	4.25	0.94	0.71	0.43	0.06	1.31	5900	78
41283	3.78	1.12	1.07	1.97	5/16-18	4.25	0.94	0.71	0.43	0.06	1.31	5900	78
41284	3.78	1.12	1.07	0.98	3/8-16	4.25	0.94	0.71	0.43	0.06	1.31	5900	78
41285	3.78	1.12	1.07	1.18	3/8-16	4.25	0.94	0.71	0.43	0.06	1.31	5900	78
41286	3.78	1.12	1.07	1.57	3/8-16	4.25	0.94	0.71	0.43	0.06	1.31	5900	78
41287	3.78	1.12	1.07	1.97	3/8-16	4.25	0.94	0.71	0.43	0.06	1.31	5900	78



www.aboveboardelectronics.com
1-800-453-1692

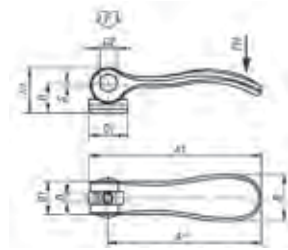
Cam Levers, Stainless Steel External Thread, Metric

METRIC	A	B	C	D	E	F	G	H	I	STROKE J	K	CLAMP-ING FORCE (kN)	HAND FORCE N
41288	70.4	22	18.1	20	M5	79.2	15	14.5	9	1.2	21.5	4	120
41289	70.4	22	18.1	30	M5	79.2	15	14.5	9	1.2	21.5	4	120
41290	70.4	22	18.1	40	M5	79.2	15	14.5	9	1.2	21.5	4	120
41291	70.4	22	18.1	50	M5	79.2	15	14.5	9	1.2	21.5	4	120
41292	70.4	22	18.1	20	M6	79.2	15	14.5	9	1.2	21.5	4	120
41293	70.4	22	18.1	30	M6	79.2	15	14.5	9	1.2	21.5	4	120
41294	70.4	22	18.1	40	M6	79.2	15	14.5	9	1.2	21.5	4	120
41295	70.4	22	18.1	50	M6	79.2	15	14.5	9	1.2	21.5	4	120
41296	96	28.5	27.1	25	M8	108	24	18	11	1.5	33.3	8	350
41297	96	28.5	27.1	30	M8	108	24	18	11	1.5	33.3	8	350
41298	96	28.5	27.1	40	M8	108	24	18	11	1.5	33.3	8	350
41299	96	28.5	27.1	50	M8	108	24	18	11	1.5	33.3	8	350
41300	96	28.5	27.1	25	M10	108	24	18	11	1.5	33.3	8	350
41313	96	28.5	27.1	30	M10	108	24	18	11	1.5	33.3	8	350
41314	96	28.5	27.1	40	M10	108	24	18	11	1.5	33.3	8	350
41315	96	28.5	27.1	50	M10	108	24	18	11	1.5	33.3	8	350



Cam Levers, Stainless Steel *Internal Thread, Inch*

- High quality industrial cam lever for clamping and quick change applications
- Is a standard cam lever with a stainless steel handle and stainless steel components. The external thread version features a threaded stud pinged to the hinge pin for tool-less clamping. The internal thread version features a threaded hinge pin for attachment to an existing threaded stud.
- Available in inch or metric threads
- Fiberglass reinforced plastic thrust washer



INCH	A	B	C	E	F	G	H	I	STROKE J	K	CLAMPING FORCE (lb-ft)	HAND FORCE lbf
41316	2.77	0.87	0.71	10-32	3.12	0.59	0.57	0.35	0.05	0.85	2950	26
41317	2.77	0.87	0.71	1/4-20	3.12	0.59	0.57	0.35	0.05	0.85	2950	26
41318	3.78	1.12	1.07	5/16-18	4.25	0.94	0.71	0.43	0.06	1.31	5900	78



www.aboveboardelectronics.com
1-800-453-1692

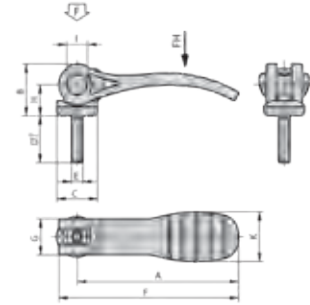
Cam Levers, Stainless Steel *Internal Thread, Metric*

METRIC	A	B	C	E	F	G	H	I	STROKE J	K	CLAMPING FORCE (kN)	HAND FORCE N
41319	70.4	22	18.1	M5	79.2	15	14.5	9	1.2	21.5	4	120
41320	70.4	22	18.1	M6	79.2	15	14.5	9	1.2	21.5	4	120
41321	96	28.5	27.1	M8	108	24	18	11	1.5	33.3	8	350



Cam Levers, Plastic External Thread, Inch

- High quality industrial cam lever for clamping and quick change applications
- Is the standard cam lever with a plastic handle. The external thread version features a threaded stud pinged to the hinge pin for tool-less clamping. The internal thread version features a threaded hinge pin for attachment to an existing threaded stud.
- Available in inch or metric threads
- Fiberglass reinforced plastic handle
- Threaded components and washer in steel, trivalent blue passivated, or stainless steel
- Fiberglass reinforced plastic thrust washer



INCH		A	B	C	D	E	F	G	H	I	K	STROKE	CLAMPING FORCE (lb-ft)	HAND FORCE lbf
STEEL	S.S.													
40212	41119	2.81	0.92	0.71	0.79	10-32	3.13	0.63	0.55	0.35	0.87	0.05	562	28
40213	41120	2.81	0.92	0.71	1.18	10-32	3.13	0.63	0.55	0.35	0.87	0.05	562	28
40214	41121	2.81	0.92	0.71	1.57	10-32	3.13	0.63	0.55	0.35	0.87	0.05	562	28
40215	41122	2.81	0.92	0.71	1.97	10-32	3.13	0.63	0.55	0.35	0.87	0.05	562	28
40216	41123	2.81	0.92	0.71	0.79	1/4/20	3.13	0.63	0.55	0.35	0.87	0.05	562	28
40217	41124	2.81	0.92	0.71	1.18	1/4/20	3.13	0.63	0.55	0.35	0.87	0.05	562	28
40218	41125	2.81	0.92	0.71	1.57	1/4/20	3.13	0.63	0.55	0.35	0.87	0.05	562	28
40219	41126	2.81	0.92	0.71	1.97	1/4/20	3.13	0.63	0.55	0.35	0.87	0.05	562	28
40220	41127	3.94	1.09	1.07	0.98	5/16-18	4.33	0.95	0.64	0.43	1.30	0.06	1124	38
40221	41128	3.94	1.09	1.07	1.18	5/16-18	4.33	0.95	0.64	0.43	1.30	0.06	1124	38
40222	41129	3.94	1.09	1.07	1.57	5/16-18	4.33	0.95	0.64	0.43	1.30	0.06	1124	38
40223	41130	3.94	1.09	1.07	1.97	5/16-18	4.33	0.95	0.64	0.43	1.30	0.06	1124	38
40224	41131	3.94	1.09	1.07	0.98	3/8-16	4.33	0.95	0.64	0.43	1.30	0.06	1124	38
40225	41132	3.94	1.09	1.07	1.18	3/8-16	4.33	0.95	0.64	0.43	1.30	0.06	1124	38
40226	41133	3.94	1.09	1.07	1.57	3/8-16	4.33	0.95	0.64	0.43	1.30	0.06	1124	38
40227	41134	3.94	1.09	1.07	1.97	3/8-16	4.33	0.95	0.64	0.43	1.30	0.06	1124	38

Cam Levers, Plastic External Thread, Metric



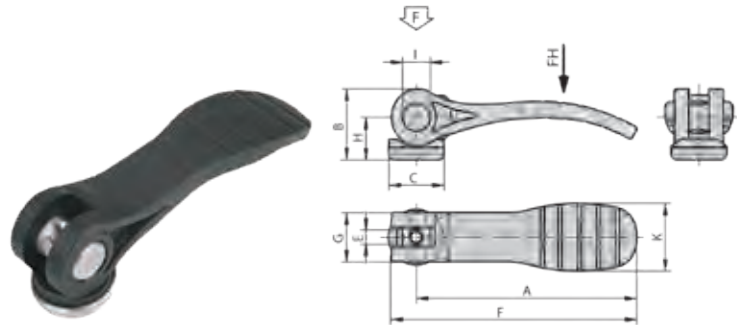
www.aboveboardelectronics.com
1-800-453-1692

METRIC		A	B	C	D	E	F	G	H	I	K	STROKE	CLAMPING FORCE (kN)	HAND FORCE N
STEEL	S.S.													
40228	41135	71.5	23.4	18.1	20	M5	79.6	16	14	9	22	1.15	2.5	125
40229	41136	71.5	23.4	18.1	30	M5	79.6	16	14	9	22	1.15	2.5	125
40230	41137	71.5	23.4	18.1	40	M5	79.6	16	14	9	22	1.15	2.5	125
40231	41138	71.5	23.4	18.1	50	M5	79.6	16	14	9	22	1.15	2.5	125
40232	41139	71.5	23.4	18.1	20	M6	79.6	16	14	9	22	1.15	2.5	125
40233	41140	71.5	23.4	18.1	30	M6	79.6	16	14	9	22	1.15	2.5	125
40234	41141	71.5	23.4	18.1	40	M6	79.6	16	14	9	22	1.15	2.5	125
40235	41142	71.5	23.4	18.1	50	M6	79.6	16	14	9	22	1.15	2.5	125
40236	41143	100	27.7	27.1	25	M8	110	24.2	16.2	11	33	1.5	5	170
40237	41144	100	27.7	27.1	30	M8	110	24.2	16.2	11	33	1.5	5	170
40238	41145	100	27.7	27.1	40	M8	110	24.2	16.2	11	33	1.5	5	170
40239	41146	100	27.7	27.1	50	M8	110	24.2	16.2	11	33	1.5	5	170
40240	41147	100	27.7	27.1	25	M10	110	24.2	16.2	11	33	1.5	5	170
40241	41148	100	27.7	27.1	30	M10	110	24.2	16.2	11	33	1.5	5	170
40242	41149	100	27.7	27.1	40	M10	110	24.2	16.2	11	33	1.5	5	170
40243	41150	100	27.7	27.1	50	M10	110	24.2	16.2	11	33	1.5	5	170



Cam Levers, Plastic Internal Thread, Inch

- High quality industrial cam lever for clamping and quick change applications
- Is the standard cam lever with a plastic handle. The external thread version features a threaded stud pinged to the hinge pin for tool-less clamping. The internal thread version features a threaded hinge pin for attachment to an existing threaded stud.
- Available in inch or metric threads
- Fiberglass reinforced plastic handle
- Threaded components and washer in steel, trivalent blue passivated, or stainless steel
- Fiberglass reinforced plastic thrust washer



INCH		A	B	C	E	F	G	H	I	K	STROKE	CLAMPING FORCE F (lbf)	HAND FORCE lbf
STEEL	S.S.												
40206	41113	2.81	0.92	0.71	10-32	3.13	0.63	0.55	0.35	0.87	0.05	562	28
40207	41114	2.81	0.92	0.71	1/4-20	3.13	0.63	0.55	0.35	0.87	0.05	562	28
40208	41115	3.94	1.08	1.07	5/16-18	4.33	0.95	0.64	0.43	1.3	0.06	1124	28



www.aboveboardelectronics.com
1-800-453-1692

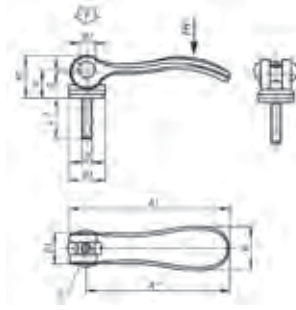
Cam Levers, Plastic Internal Thread, Metric

METRIC		A	B	C	E	F	G	H	I	K	STROKE	CLAMPING FORCE F (kN)	HAND FORCE N
STEEL	S.S.												
40209	41116	71.5	23.4	18.1	M5	79.6	16	14	9	22	1.15	2.5	125
40210	41117	71.5	23.4	18.1	M6	79.6	16	14	9	22	1.15	2.5	125
40211	41118	100	27.7	27.1	M8	110	24.2	16.2	11	33	1.5	5	170



Cam Levers Adjustable, Stainless Steel External Thread, Inch

- High quality industrial cam lever for clamping and quick change applications
- Threaded stud is free to rotate in the hinge pin, unlike the standard version, which is pinged. A screwdriver slot enables the user to adjust the tension of the stud and control the point at which the handle achieves optimal clamping. This is particularly useful in applications where obstructions permit clamping in less than a 360° circle.
- Available in inch or metric threads
- Fiberglass reinforced plastic thrust washer



INCH	A	B	C	D	E	F	G	H	I	STROKE J	K	CLAMP-ING FORCE (lb-ft)	HAND FORCE lbf
41272	2.77	0.87	0.71	0.79	10-32	3.12	0.59	0.57	0.35	0.05	0.85	2950	26
41273	2.77	0.87	0.71	1.18	10-32	3.12	0.59	0.57	0.35	0.05	0.85	2950	26
41274	2.77	0.87	0.71	1.57	10-32	3.12	0.59	0.57	0.35	0.05	0.85	2950	26
41275	2.77	0.87	0.71	1.97	10-32	3.12	0.59	0.57	0.35	0.05	0.85	2950	26
41276	2.77	0.87	0.71	0.79	1/4-20	3.12	0.59	0.57	0.35	0.05	0.85	2950	26
41277	2.77	0.87	0.71	1.18	1/4-20	3.12	0.59	0.57	0.35	0.05	0.85	2950	26
41278	2.77	0.87	0.71	1.57	1/4-20	3.12	0.59	0.57	0.35	0.05	0.85	2950	26
41279	2.77	0.87	0.71	1.97	1/4-20	3.12	0.59	0.57	0.35	0.05	0.85	2950	26
41280	3.78	1.12	1.07	0.98	5/16-18	4.25	0.94	0.71	0.43	0.06	1.31	5900	78
41281	3.78	1.12	1.07	1.18	5/16-18	4.25	0.94	0.71	0.43	0.06	1.31	5900	78
41282	3.78	1.12	1.07	1.57	5/16-18	4.25	0.94	0.71	0.43	0.06	1.31	5900	78
41283	3.78	1.12	1.07	1.97	5/16-18	4.25	0.94	0.71	0.43	0.06	1.31	5900	78
41284	3.78	1.12	1.07	0.98	3/8-16	4.25	0.94	0.71	0.43	0.06	1.31	5900	78
41285	3.78	1.12	1.07	1.18	3/8-16	4.25	0.94	0.71	0.43	0.06	1.31	5900	78
41286	3.78	1.12	1.07	1.57	3/8-16	4.25	0.94	0.71	0.43	0.06	1.31	5900	78
41287	3.78	1.12	1.07	1.97	3/8-16	4.25	0.94	0.71	0.43	0.06	1.31	5900	78



www.aboveboardelectronics.com
1-800-453-1692

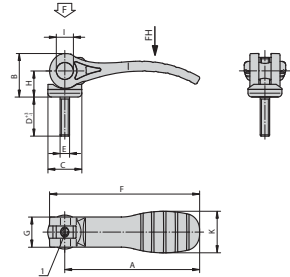
Cam Levers Adjustable, Stainless Steel External Thread, Metric

METRIC	A	B	C	D	E	F	G	H	I	STROKE J	K	CLAMP-ING FORCE (kN)	HAND FORCE N
41288	70.4	22	18.1	20	M5	79.2	15	14.5	9	1.2	21.5	4	120
41289	70.4	22	18.1	30	M5	79.2	15	14.5	9	1.2	21.5	4	120
41290	70.4	22	18.1	40	M5	79.2	15	14.5	9	1.2	21.5	4	120
41291	70.4	22	18.1	50	M5	79.2	15	14.5	9	1.2	21.5	4	120
41292	70.4	22	18.1	20	M6	79.2	15	14.5	9	1.2	21.5	4	120
41293	70.4	22	18.1	30	M6	79.2	15	14.5	9	1.2	21.5	4	120
41294	70.4	22	18.1	40	M6	79.2	15	14.5	9	1.2	21.5	4	120
41295	70.4	22	18.1	50	M6	79.2	15	14.5	9	1.2	21.5	4	120
41296	96	28.5	27.1	25	M8	108	24	18	11	1.5	33.3	8	350
41297	96	28.5	27.1	30	M8	108	24	18	11	1.5	33.3	8	350
41298	96	28.5	27.1	40	M8	108	24	18	11	1.5	33.3	8	350
41299	96	28.5	27.1	50	M8	108	24	18	11	1.5	33.3	8	350
41300	96	28.5	27.1	25	M10	108	24	18	11	1.5	33.3	8	350
41313	96	28.5	27.1	30	M10	108	24	18	11	1.5	33.3	8	350
41314	96	28.5	27.1	40	M10	108	24	18	11	1.5	33.3	8	350
41315	96	28.5	27.1	50	M10	108	24	18	11	1.5	33.3	8	350



Cam Levers, Adjustable Plastic External Thread, Inch

- High quality industrial cam lever for clamping and quick change applications
- Adjustable cam lever with a fiberglass reinforced plastic handle. The threaded stud is free to rotate in the hinge pin. A screwdriver slot enables the user to adjust the tension of the stud and control the point at which the handle achieves optimal clamping. This is particularly useful in applications where obstructions permit clamping in less than a 360° circle.
- Available in inch or metric threads
- Fiberglass reinforced plastic handle
- Threaded components and washer in steel, trivalent blue passivated, or stainless steel
- Fiberglass reinforced plastic thrust washer



INCH		A	B	C	D	E	F	G	H	I	K	STROKE	CLAMPING FORCE F (lbf)	HAND FORCE lbf
STEEL	S.S.													
40244	41158	2.81	0.92	0.71	0.79	10-32	3.13	0.63	0.55	0.35	0.87	0.05	562	28
40245	41159	2.81	0.92	0.71	1.18	10-32	3.13	0.63	0.55	0.35	0.87	0.05	562	28
40246	41160	2.81	0.92	0.71	1.57	10-32	3.13	0.63	0.55	0.35	0.87	0.05	562	28
40247	41161	2.81	0.92	0.71	1.97	10-32	3.13	0.63	0.55	0.35	0.87	0.05	562	28
40248	41162	2.81	0.92	0.71	0.79	1/4-20	3.13	0.63	0.55	0.35	0.87	0.05	562	28
40249	41163	2.81	0.92	0.71	1.18	1/4-20	3.13	0.63	0.55	0.35	0.87	0.05	562	28
40250	41164	2.81	0.92	0.71	1.57	1/4-20	3.13	0.63	0.55	0.35	0.87	0.05	562	28
40251	41165	2.81	0.92	0.71	1.97	1/4-20	3.13	0.63	0.55	0.35	0.87	0.05	562	28
40252	41166	3.94	1.09	1.06	0.98	5/16-18	4.33	0.95	0.64	0.43	1.30	0.06	1124	38
40253	41167	3.94	1.09	1.06	1.18	5/16-18	4.33	0.95	0.64	0.43	1.30	0.06	1124	38
40254	41168	3.94	1.09	1.06	1.57	5/16-18	4.33	0.95	0.64	0.43	1.30	0.06	1124	38
40255	41169	3.94	1.09	1.06	1.97	5/16-18	4.33	0.95	0.64	0.43	1.30	0.06	1124	38
40256	41170	3.94	1.09	1.06	0.98	3/8-16	4.33	0.95	0.64	0.43	1.30	0.06	1124	38
40257	41171	3.94	1.09	1.06	1.18	3/8-16	4.33	0.95	0.64	0.43	1.30	0.06	1124	38
40258	41172	3.94	1.09	1.06	1.57	3/8-16	4.33	0.95	0.64	0.43	1.30	0.06	1124	38
40259	41173	3.94	1.09	1.06	1.97	3/8-16	4.33	0.95	0.64	0.43	1.30	0.06	1124	38

Cam Levers, Adjustable Plastic External Thread, Metric

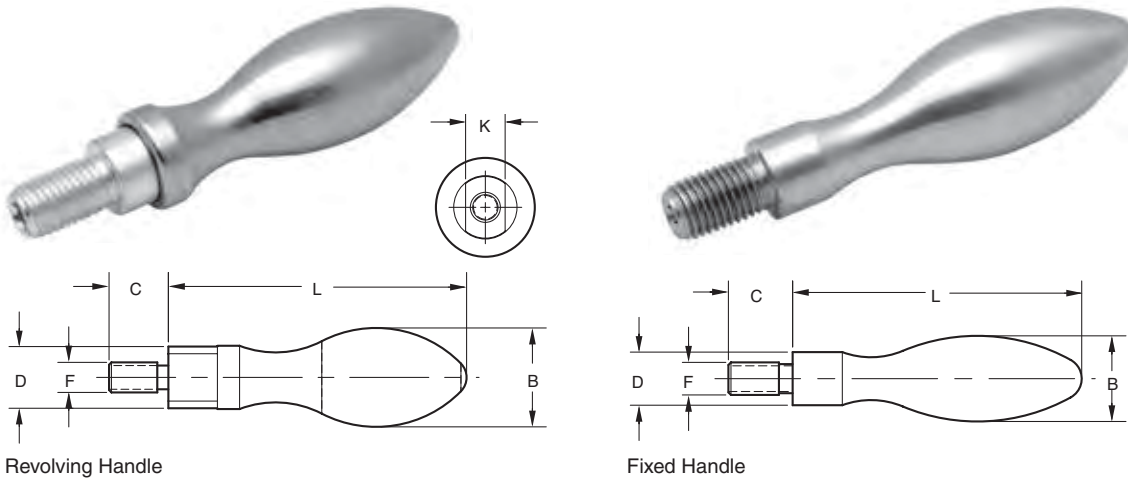


www.aboveboardelectronics.com
1-800-453-1692

METRIC		A	B	C	D	E	F	G	H	I	K	STROKE	CLAMPING FORCE F (kN)	HAND FORCE N
STEEL	S.S.													
40260	41174	71.5	23.4	18.1	20	M5	79.6	16	14	9	22	1.15	2.5	125
40261	41175	71.5	23.4	18.1	30	M5	79.6	16	14	9	22	1.15	2.5	125
40262	41176	71.5	23.4	18.1	40	M5	79.6	16	14	9	22	1.15	2.5	125
40263	41177	71.5	23.4	18.1	50	M5	79.6	16	14	9	22	1.15	2.5	125
40264	41178	71.5	23.4	18.1	20	M6	79.6	16	14	9	22	1.15	2.5	125
40265	41179	71.5	23.4	18.1	30	M6	79.6	16	14	9	22	1.15	2.5	125
40266	41180	71.5	23.4	18.1	40	M6	79.6	16	14	9	22	1.15	2.5	125
40267	41181	71.5	23.4	18.1	50	M6	79.6	16	14	9	22	1.15	2.5	125
40268	41182	100	27.7	27.1	25	M8	110	24	16.2	11	33	1.5	5	170
40269	41183	100	27.7	27.1	30	M8	110	24	16.2	11	33	1.5	5	170
40270	41184	100	27.7	27.1	40	M8	110	24	16.2	11	33	1.5	5	170
40271	41185	100	27.7	27.1	50	M8	110	24	16.2	11	33	1.5	5	170
40272	41186	100	27.7	27.1	25	M10	110	24	16.2	11	33	1.5	5	170
40273	41187	100	27.7	27.1	30	M10	110	24	16.2	11	33	1.5	5	170
40274	41188	100	27.7	27.1	40	M10	110	24	16.2	11	33	1.5	5	170
40275	41189	100	27.7	27.1	50	M10	110	24	16.2	11	33	1.5	5	170

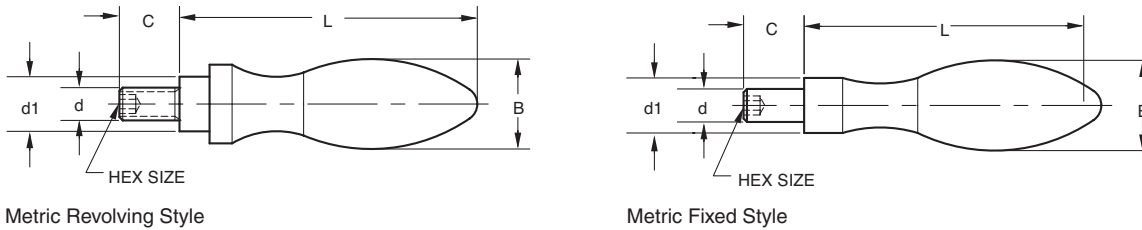


Ergonomic Style Steel Handles



Part Number	Style	F (Thread)	B	C	D	L	K
22000	Revolving	10 - 24	1/2	3/8	0.32	1-7/8	1/4
22001	Revolving	1/4 - 20	5/8	1/2	0.40	2-1/4	5/16
22002	Revolving	5/16 - 18	13/16	9/16	0.51	2-13/16	3/8
22003	Revolving	3/8 - 16	1	11/16	0.63	3-3/8	7/16
22011	Fixed	10 - 24	1/2	3/8	0.32	1-11/16	—
22012	Fixed	1/4 - 20	5/8	1/2	0.40	2	—
22013	Fixed	5/16 - 18	13/16	9/16	0.51	2-5/8	—
22014	Fixed	3/8 - 16	1	11/16	0.63	3-3/16	—

ADE Above Board Electronics, Inc.
www.aboveboardelectronics.com
 1-800-453-1692



Metric

Part Number*	Style	d (Thread)	L	B	C	d1
22050	Revolving	M6	54.5	16	11	10
22051	Revolving	M8	67	20	13	13
22052	Revolving	M10	83	25	14	16
22053	Revolving	M12	105.5	32	21	20
22054	Revolving	M16	117	36	26	22
22055	Fixed	M6	54	16	11	10
22056	Fixed	M8	64	20	13	13
22057	Fixed	M10	80	25	14	16
22058	Fixed	M12	100	32	21	20
22059	Fixed	M16	112	36	26	22

*Dimensions in millimeters



Plastic Revolving Heavy Duty Handle With Steel Shank ELESA Original Design



- Material: Black Duroplast
- Finish: Black Bright
- Shank: Zinc Plated Steel or Stainless Steel 303
- Resistant to Solvents, Oils, Greases, and other Chemical Agents

With Steel Shank

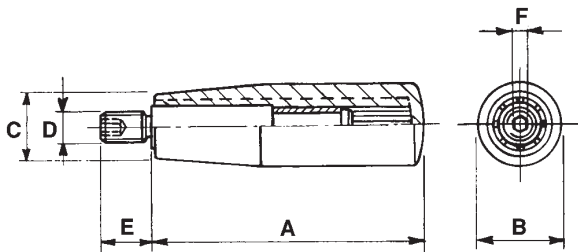
Part Number	A	B	C	D*	E	F
33621	1.57	.71	.59	M6	.51	.12
33622	1.97	.83	.67	M6	.51	.12
33624	2.56	.91	.75	M8	.59	.16
33625	3.15	1.02	.83	M10	.67	.20
33626	3.54	1.10	.87	M10	.67	.20

*Dimension in millimeters

With Stainless Steel Shank

Part Number	A	B	C	D*	E	F
34102	1.97	.83	.67	M6	.51	.12
34103	2.56	.91	.75	M8	.59	.16
34104	3.15	1.02	.83	M10	.67	.20
34105	3.54	1.10	.87	M10	.67	.20

*Dimension in millimeters



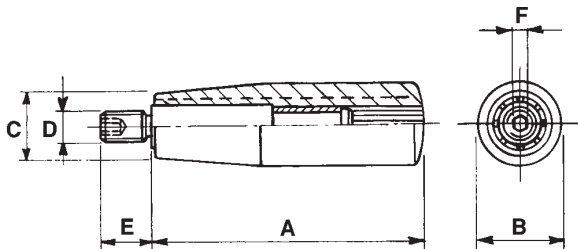
www.aboveboardelectronics.com
1-800-453-1692

Plastic Revolving Handle With Steel Through Shank ELESA Original Design



- Material: Black Duroplast
- Finish: Black Bright
- Shank: Matte Chrome Plated Steel
- Resistant to Solvents, Oils, Greases, and other Chemical Agents

Part Number	A	B	C	D	E	F
33601	1.57	.71	.59	1/4-20	.51	5/32
33602	1.97	.83	.67	5/16-18	.59	3/16
33604	2.56	.91	.75	5/16-18	.67	1/4
33605	3.15	1.02	.83	3/8-16	.71	1/4
33606	3.54	1.10	.87	3/8-16	.71	5/16

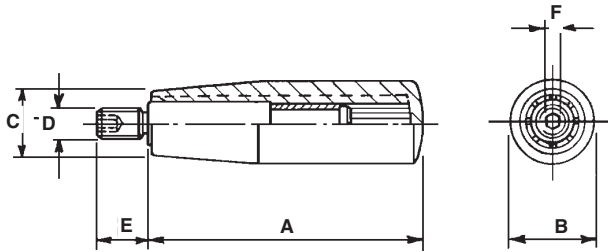




Plastic Revolving Handle With Steel Shank ELESA Original Design



- Material: High Impact Strength Technopolymer
- Finish: Black Matte
- Shank: Zinc Plated Steel
- Resistant to Solvents, Oils, Greases, and other Chemical Agents



Part Number	A	B	C	D*	E	F
33611	1.57	.71	.59	M6	.51	.12
33612	1.97	.83	.67	M6	.51	.12
33613	2.20	.87	.71	M6	.51	.12
33614	2.56	.91	.75	M8	.59	.16
33615	3.15	1.02	.83	M8	.59	.16
33616	3.54	1.10	.87	M10	.67	.20

*Dimension in millimeters

Revolving Handle ELESA Original Design



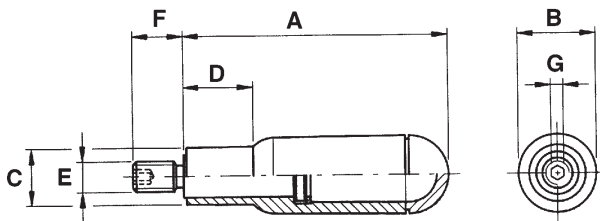
www.aboveboardelectronics.com
1-800-453-1692



- Material: High Impact Strength Technopolymer
- Finish: Gray/Black Matte
- Stud: Zinc Plated Steel
- Resistant to Solvents, Oils, Greases, and other Chemical Agents

Part Number	A	B	C	D	E*	F	G
34471	2.56	.81	.59	.73	M6	.51	.12
34472	2.87	.87	.63	.75	M8	.59	.16
34473	3.39	.96	.69	.94	M8	.59	.16
34474	3.39	.96	.69	.94	M10	.67	.20
34475	3.74	1.04	.71	.98	M10	.67	.20

*Dimension in millimeters

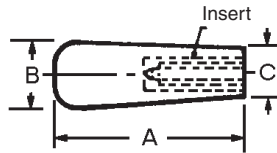




Plastic Heavy Duty Tapered Handle



- Use as grasp handles on portable tools or as machine shift levers
- Inserts: Brass
- 3D Solid Models are available in multiple formats from www.jergensinc.com



With Tapped Holes

Part Number	A	B	C	Insert Thread and Depth
32105	4 1/2	1 3/8	1	3/8-16 x 5/8
32106	4 1/2	1 3/8	1	3/8-24 x 5/8
32101	4 1/2	1 3/8	1	3/8-16 x 2
32107	4 1/2	1 3/8	1	1/2-13 x 5/8
32108	4 1/2	1 3/8	1	1/2-20 x 5/8
32103	4 1/2	1 3/8	1	1/2-13 x 1 1/4
32104	4 1/2	1 3/8	1	5/8-18 x 3/4

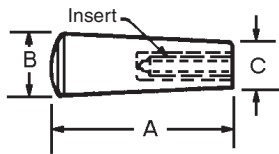
Plastic Light Duty Tapered Handle



- Use as grasp handles on small tools, utensils, and gauges
- Inserts: Brass
- Through hole style for use with a socket head cap screw
- 3D Solid Models are available in multiple formats from www.jergensinc.com



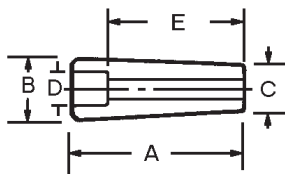
www.aboveboardelectronics.com
1-800-453-1692



With Tapped Holes

Part Number	A	B	C	Insert Thread and Depth
32111	2 5/8	1	5/8	1/4-20 x 7/16
32112	2 5/8	1	5/8	5/16-18 x 7/16
32117	2 5/8	1	5/8	3/8-16 x 1/2
32118	3 7/8	1 1/8	3/4	1/4-20 x 1/2
32119	3 7/8	1 1/8	3/4	5/16-18 x 7/16
32109	3 7/8	1 1/8	3/4	3/8-16 x 5/8
32102	3 7/8	1 1/8	3/4	3/8-16 x 2
32110*	3 7/8	1 1/8	3/4	.500/.510 x 2

* Cored Hole



With Through Hole

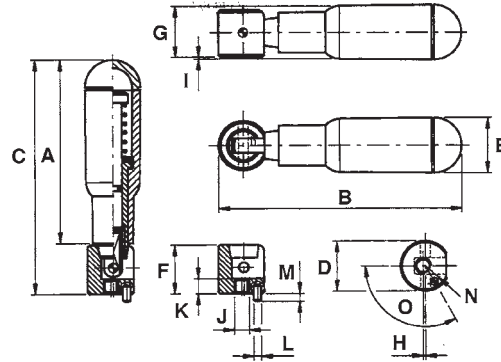
Part Number	A	B	C	D	E	Through Hole Size
32113	2 9/16	1	5/8	1/2	5/8	.251/.256
32114	3 11/16	1 1/8	3/4	3/4	2 5/8	.380/.385



Fold-Away Handle ELESA Original Design



- Material: High Impact Strength Technopolymer
- Finish: Gray/Black Matte
- Base: Sintered and Oxidized
- Resistant to Solvents, Oils, Greases, and other Chemical Agents



Part Number	A	B	C	D	E	F	G	H	I	J	K	L	M	N	O
34481	2.56	3.27	3.17	.63	.81	.59	.75	.04	.06	M4	.20	.12	.12	.22	90°
34482	2.87	3.58	3.48	.63	.87	.59	.77	.04	.10	M4	.20	.12	.12	.22	90°
34483	2.87	3.82	3.66	.79	.87	.77	.85	.02	.02	M6	.24	.12	.12	.22	120°
34484	3.39	4.33	4.17	.79	.96	.77	.91	.02	.06	M6	.24	.12	.12	.28	120°
34485	3.74	4.69	4.53	.79	1.04	.77	.94	.02	.10	M6	.24	.12	.12	.28	120°

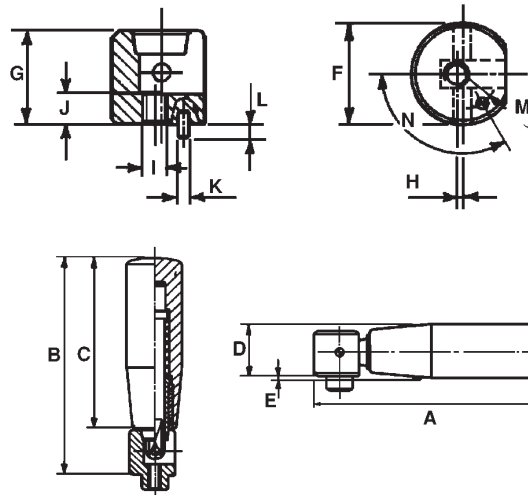


www.aboveboardelectronics.com
1-800-453-1692

Plastic Revolving Fold-Away Handle ELESA Original Design



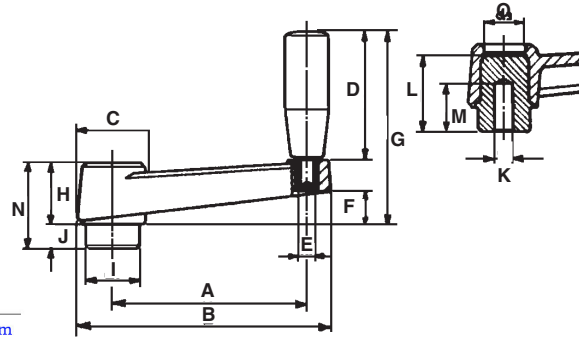
- Material: High Impact Strength Technopolymer
- Finish: Black Matte
- Stud: Black Oxide Steel Double Guide
- Resistant to Solvents, Oils, Greases, and other Chemical Agents



Part Number	A	B	C	D	E	F	G	H	I	J	K	L	M	N
33631	2.91	2.80	2.20	.75	.10	.63	.59	.04	M4	.20	.12	.12	.22	90°
33632	3.27	3.15	2.56	.79	.12	.63	.59	.04	M4	.20	.12	.12	.22	90°
33633	3.50	3.35	2.56	.87	.04	.79	.77	.02	M6	.24	.12	.12	.28	120°
33634	4.09	3.94	3.15	.94	.10	.79	.77	.02	M6	.24	.12	.12	.28	120°
33635	4.49	4.33	3.54	.94	.12	.79	.77	.02	M6	.24	.12	.12	.28	120°
33636	4.65	4.45	3.54	1.06	.04	1.02	.91	.06	M6	.28	.12	.12	.37	90°



Plastic Crank With Revolving Handle ELESA Original Design



- Material: Glass-Fibre Reinforced Technopolymer
- Finish: Black Matte
- Ribbed Structure for heavy duty applications
- Hub: Black Oxide Steel
- Resistant to Solvents, Oils, Greases, and other Chemical Agents
- Available in Ergostyle®. See Ergostyle Section.
- 3D Solid Models are available in multiple formats from www.jergensinc.com

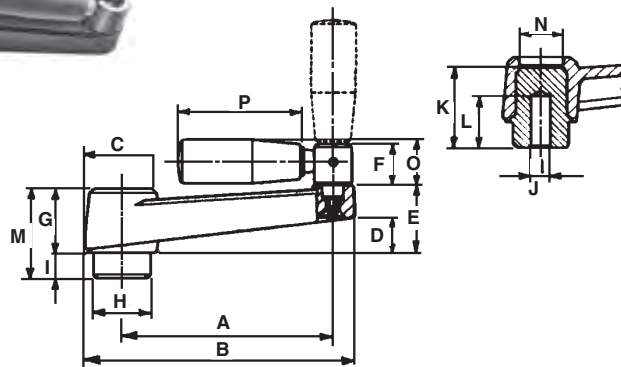


www.aboveboardelectronics.com
1-800-453-1692

Part Number	A	B	C	D	E*	F	G	H	I	J	K	L	M	N	O
33651	2.52	3.39	1.06	1.57	M6	.39	2.48	.91	.71	.39	.236	1.14	.71	1.30	.63
33652	3.15	4.13	1.18	1.97	M6	.51	2.99	1.02	.87	.39	.236	1.26	1.02	1.42	.67
33653	3.94	5.04	1.34	2.56	M8	.59	3.78	1.18	.94	.39	.315	1.46	1.10	1.57	.83
33654	5.11	6.37	1.57	3.15	M8	.79	4.52	1.37	1.10	.55	.394	1.73	1.18	1.93	.98
33655	6.30	7.80	1.77	3.54	M10	.91	5.12	1.57	1.34	.59	.394	1.93	1.18	2.17	1.06
33656	8.35	8.92	1.97	3.54	M10	1.02	5.35	1.77	1.57	.59	.472	2.09	1.18	2.36	1.22

*Dimension in millimeters

Plastic Crank With Revolving Fold-Away Handle ELESA Original Design

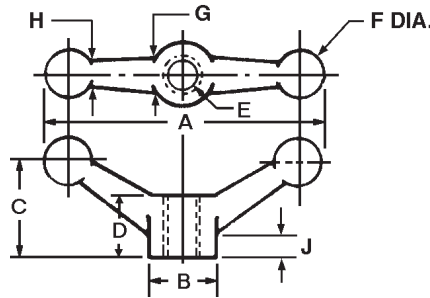


- Material: Glass-Fibre Reinforced Technopolymer
- Finish: Black Matte
- Ribbed Structure for heavy duty applications
- Hub: Black Oxide Steel
- Resistant to Solvents, Oils, Greases, and other Chemical Agents
- 3D Solid Models are available in multiple formats from www.jergensinc.com

Part Number	A	B	C	D	E	F	G	H	I	J	K	L	M	N	O	P
33662	3.15	4.13	1.18	.51	1.06	.59	1.02	.87	.39	.236	1.26	1.02	1.42	.67	.74	2.20
33663	3.94	5.04	1.34	.59	1.22	.79	1.18	.94	.39	.315	1.46	1.10	1.57	.83	.86	2.56
33664	5.11	6.37	1.57	.78	1.37	.79	1.37	1.10	.55	.394	1.73	1.18	1.93	.98	.86	2.56
33665	6.30	7.80	1.77	.91	1.57	.79	1.57	1.34	.59	.394	1.93	1.18	2.17	1.06	.94	3.15
33666	8.35	8.92	1.97	1.02	1.81	.91	1.77	1.57	.59	.472	2.09	1.18	2.36	1.22	1.06	3.54



Aluminum & Malleable Speed Handle



- Material: 319 Aluminum
Malleable ASTM A47, GR32510
- Finish: Mill
- Thread: 2B-UNC or class 6h
- Can be used with rod ends for clamping tank covers, locking lids or any fast spin locking application
- With or without tapped or blank hole
- Three head widths
- 3D Solid Models are available in multiple formats from www.jergensinc.com
- "D" dimension is based on machined castings. It may be slightly greater on blanks.

Part Number		A	B	C	D	E	Dia F	G	H	J
Aluminum	Malleable									
39901	40301	4 1/2	1 1/8	1 1/2	1	Blank	11/16	3/4	7/16	1/2
39902	40302	4 1/2	1 1/8	1 1/2	1	3/8-16	11/16	3/4	7/16	1/2
39903	40303	4 1/2	1 1/8	1 1/2	1	1/2-13	11/16	3/4	7/16	1/2
39904	40304	6	1 1/2	2 1/8	1 1/2	Blank	.94	7/8	5/8	3/4
39905	40305	6	1 1/2	2 1/8	1 1/2	1/2-13	.94	7/8	5/8	3/4
39906	40306	6	1 1/2	2 1/8	1 1/2	5/8-11	.94	7/8	5/8	3/4
39907	40307	8 3/4	2	3	2	Blank	1 3/16	1.02	7/8	.94
—	40308	8 3/4	2	3	2	3/4-10	1 3/16	1.02	7/8	.94



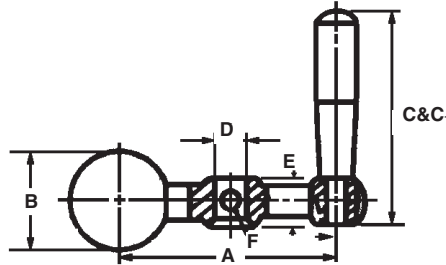
www.aboveboardelectronics.com
1-800-453-1692

Part Number		A	B	C	D	E*	Dia F	G	H	J
Aluminum	Malleable									
39901	40301	113	28	38	25	Blank	17	19	11	13
39952	40352	113	28	38	25	M10	17	19	11	13
39953	40353	113	28	38	25	M12	17	19	11	13
39904	40304	150	38	53	38	Blank	24	22	16	19
39955	40355	150	38	53	38	M12	24	22	16	19
39956	40356	150	38	53	38	M16	24	22	16	19
39907	40307	219	50	75	50	Blank	30	26	22	24
—	40358	222	50	75	50	M20	30	26	22	24

*Dimension in millimeters



Steel Solid and Revolving Balanced Crank Handle



SOLID HANDLE DOES NOT REVOLVE

- Material: Steel
- Finish: Bright Chrome
- 3D Solid Models are available in multiple formats from www.jergensinc.com
- Revolving Handle is a replacement set for Bridgeport Style Mills

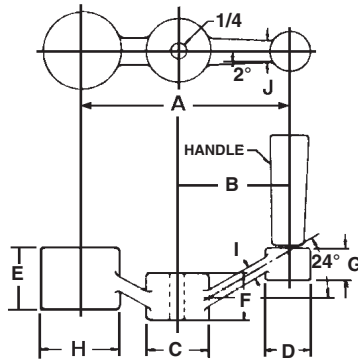
Part Number		A	B	C	C [†]	Reamed D	E	Center Hole* F
Solid	Revolving							
11401	—	2	13/16	2	—	5/16	7/16	1/8
11402	11412	2 1/2	1	2 1/2	2 3/4	5/16	9/16	1/8
11403	11413	3 1/8	1 1/4	3 1/4	3 1/2	3/8	11/16	5/32
11404	11414	4	1 1/4	3 1/4	3 1/2	3/8	11/16	5/32
11405	11415	5	1 1/2	4	4 3/16	1/2	7/8	3/16
11406	—	6 1/8	1 1/2	4	—	1/2	7/8	3/16

* Center Hole is cross drilled on one side.
 † Dimension for Revolving Style



www.aboveboardelectronics.com
 1-800-453-1692

Aluminum Balanced Crank Handle



Jergens Aluminum Balanced Crank Handles are good replacements for heavier steel handles. The light-weight characteristics make table positioning easier as no fall-off occurs after position has been established. Light-weight Aluminum Balanced Crank Handles are ideal for applications such as optical jig boring equipment and inspection instruments.

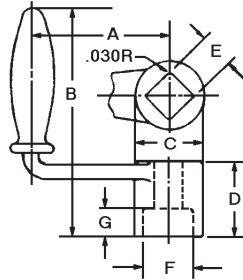
- Material: 319 Aluminum Alloy
- Finish: Grey Enamel
- 3D Solid Models are available in multiple formats from www.jergensinc.com

Part Number	A	B	C	D	E	F	G	H	I	J	Handle	Wt. (lbs)
11301	2 5/16	1 1/4	3/4	1/2	11/16	1/2	7/16	7/8	3/16	5/16	21902	.14
11302	3 1/16	1 11/16	1	5/8	7/8	5/8	1/2	1 1/4	1/4	3/8	21903	.30
11303	3 15/16	2 1/8	1 1/8	3/4	1 3/16	3/4	5/8	1 3/8	5/16	7/16	21904	.54
11304	4 11/16	2 9/16	1 3/8	7/8	1 5/16	1	3/4	1 5/8	5/16	1/2	21905	.75
11305	5 11/16	3 1/16	1 3/8	7/8	1 1/2	1	1	1 3/4	3/8	9/16	21905	.90

HANDLES, LEVERS & CRANKS



Forged Crank Handle



- Material: C-1021 Forging
- Finish: Mill
- 3D Solid Models are available in multiple formats from www.jergensinc.com

Blank Crank Handles

Part Number	A	B	C	D	Wt. (lbs)
20501	2 1/2	3 3/4	1	1/4	.60
20503	3	4 1/4	1 1/4	1 1/2	.97
20504	3 1/2	4 3/16	1 1/16	1 5/16	.90
20505	4	4 1/2	1 1/4	1 3/8	1.14
20506	5	4 15/16	1 1/4	1 13/16	1.62
20507	6	5 1/16	1 1/4	1 15/16	1.62
20508	7	5 7/16	1 3/8	2 1/16	1.95
20509	8	6 1/16	1 9/16	2 7/16	3.00
20510	9 1/8	6 1/4	1 1/2	2 1/2	3.25
20511	10	7	1 3/4	3	4.37

Finished Crank Handles

Part Number	E	F	G	Wt. (lbs)
20301	1/2 Sq.	3/4	3/16	.50
20303	9/16 Sq.	3/4	1/4	.82
20304	1/2 Sq.	11/16	1/4	.74
20305	9/16 Sq.	3/4	5/16	.97
20306	5/8 Sq.	7/8	3/8	1.37
20307	11/16 Sq.	15/16	3/8	1.25
20308	3/4 Sq.	1 1/16	1/2	1.67
20309	7/8 Sq.	1 1/4	1/2	2.44
20310	7/8 Sq.	1 1/4	1/2	2.60
20311	1 Sq.	1 3/8	9/16	3.62

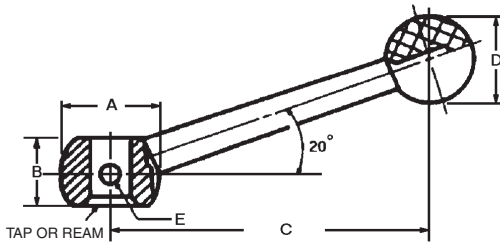


www.aboveboardelectronics.com
1-800-453-1692

Steel Clamp Lever



- Material: Lever, Low Carbon Steel
Ball, Plastic
- Finish: Lever, Satin Chrome Plate
Ball, Black



Part Number	Hub Style	A	B	C	D	E
16601	1/4 Ream	5/8	7/16	2 1/4	3/4	1/8
16602	5/16-18 Tap	5/8	7/16	2 1/4	3/4	—
16603	5/16 Ream	25/32	9/16	2 3/4	13/16	1/8
16604	3/8-16 Tap	25/32	9/16	2 3/4	13/16	—
16605	3/8 Ream	1	3/4	3 1/2	15/16	5/32
16606	1/2-13 Tap	1	3/4	3 1/2	15/16	—
16607	1/2 Ream	1 1/4	7/8	4 3/8	1 1/4	3/16
16608	5/8-11 Tap	1 1/4	7/8	4 3/8	1 1/4	—
16609	5/8 Ream	1 9/16	1 1/8	5 1/2	1 1/2	1/4
16610	3/4-10 Tap	1 9/16	1 1/8	5 1/2	1 1/2	—

HANDLES, LEVERS & CRANKS

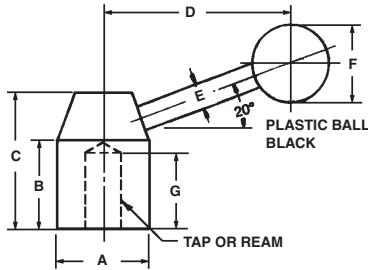


Single Handle Locking Lever



A fast and efficient means of clamping and locking on jigs, fixtures, machine tools and special applications where high clamping force is necessary.

- Material: Low Carbon Steel
- Finish: Zinc Plate
- Thread: Class 2B-UNC
- Handles: Copper Brazed into the hubs
- Ream: + .001
- .000
- 3D Solid Models are available in multiple formats from www.jergensinc.com



Part Number	A	B	C	D	E	F	G	Hub Style
28901	1	1	1 1/2	2	1/4	1	—	Blank
28902	1	1	1 1/2	2	1/4	1	11/16	3/8-16 Tap
28903	1	1	1 1/2	2	1/4	1	13/16	3/8 Ream
28904	1 1/4	1 1/8	1 11/16	3	3/8	1	—	Blank
28905	1 1/4	1 1/8	1 11/16	3	3/8	1	3/4	1/2-13 Tap
28906	1 1/4	1 1/8	1 11/16	3	3/8	1	7/8	1/2 Ream
28907	1 1/2	1 1/4	2	4	1/2	1 3/8	—	Blank
28908	1 1/2	1 1/4	2	4	1/2	1 3/8	15/16	5/8-11 Tap
28909	1 1/2	1 1/4	2	4	1/2	1 3/8	1 1/16	5/8 Ream

Metric

Part Number*	A	B	C	D	E	F	G	Hub Style
28901	25	25	38	50	6	25	-	Blank
28952	25	25	38	50	6	25	17	M8 Tap
28953	25	25	38	50	6	25	20	8mm Ream
28904	31	28	42	75	9	25	-	Blank
28955	31	28	42	75	9	25	19	M12 Tap
28956	31	28	42	75	9	25	22	12mm Ream
28907	38	31	50	100	13	34	-	Blank
28958	38	31	50	100	13	34	23	M16 Tap
28959	38	31	50	100	13	34	27	16mm Ream

*Dimensions in millimeters

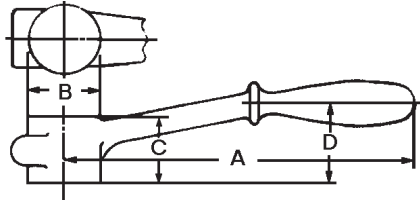


www.aboveboardelectronics.com
1-800-453-1692

Aluminum & Malleable Offset Handle



- Material: 319 Aluminum Alloy
Malleable ASTM A47, GR32510
- Finish: Mill
- 3D Solid Models are available in multiple formats from www.jergensinc.com



Aluminum

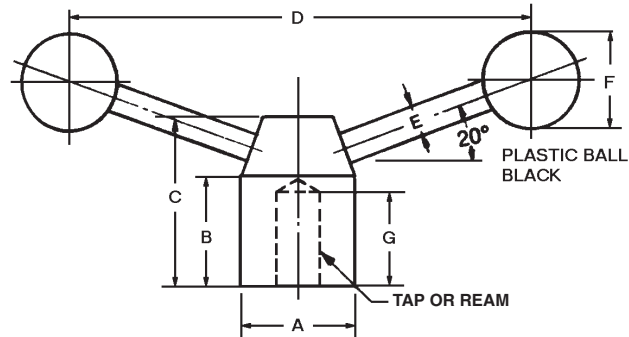
Part Number	A	B	C	D	Wt. (lbs)
29901	4 1/2	1	3/4	1	.15
29902	6	1 1/2	1 1/4	1 3/4	.44
29903	11	1 5/8	1 3/8	1 15/16	.78

Malleable

Part Number	Wt. (lbs)
30101	.45
30102	1.24
30103	2.25



Double Handle Locking Lever



- Material: Low Carbon Steel
- Finish: Zinc Plate
- Thread: Class 2B-UNC or Class 6h
- Handles: Copper brazed into the hubs
- Ream: + .001
- .000
- Metric Ream:
+ .025
- .000
- 3D Solid Models are available in multiple formats from www.jergensinc.com

Part Number	A	B	C	D	E	F	G	Hub Style
28910	1	1	1 1/2	4	1/4	1	—	Blank
28911	1	1	1 1/2	4	1/4	1	11/16	3/8-16 Tap
28912	1 1/4	1 1/8	1 11/16	6	3/8	1	—	Blank
28913	1 1/4	1 1/8	1 11/16	6	3/8	1	3/4	1/2-13 Tap
28914	1 1/2	1 1/4	2	8	1/2	1 3/8	—	Blank
28915	1 1/2	1 1/4	2	8	1/2	1 3/8	15/16	5/8-11 Tap
28916	1 1/2	1 1/4	2	8	1/2	1 3/8	1 1/16	5/8 Ream

Locking levers with double handles are used where it is advantageous to clamp and lock quickly with high clamping force.

Metric

Part Number*	A	B	C	D	E	F	G	Hub Style
28910	25	25	38	100	6	25	—	Blank
28961	25	25	38	100	6	25	17	M8 Tap
28912	31	28	42	150	9	25	—	Blank
28963	31	28	42	150	9	25	19	M12 Tap
28914	38	31	50	200	13	34	—	Blank
28965	38	31	50	200	13	34	23	M16 Tap
28966	38	31	50	200	13	34	27	16mm Ream

*Dimensions in millimeters



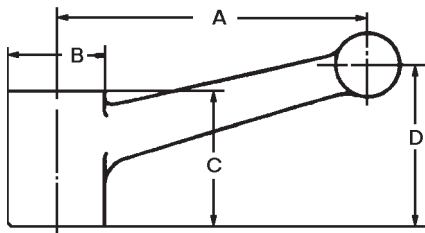
www.aboveboardelectronics.com
1-800-453-1692

HANDLES, LEVERS & CRANKS

Aluminum & Malleable Clamping Levers



- Material: 319 Aluminum Alloy
Malleable ASTM A47, GR32510
- Finish: Mill
- 3D Solid Models are available in multiple formats from www.jergensinc.com



Aluminum

Part Number	A	B	C	D	Wt. (lbs)
16501	2	1	1	1 1/8	.10
16502	4	1 1/2	2	2 1/8	.53
16503	5 9/64	2	2 3/8	2 53/64	1.00

Malleable

Number	Wt. (lbs)
16701	.30
16702	1.50
16703	2.80



Metal Adjustable Handles



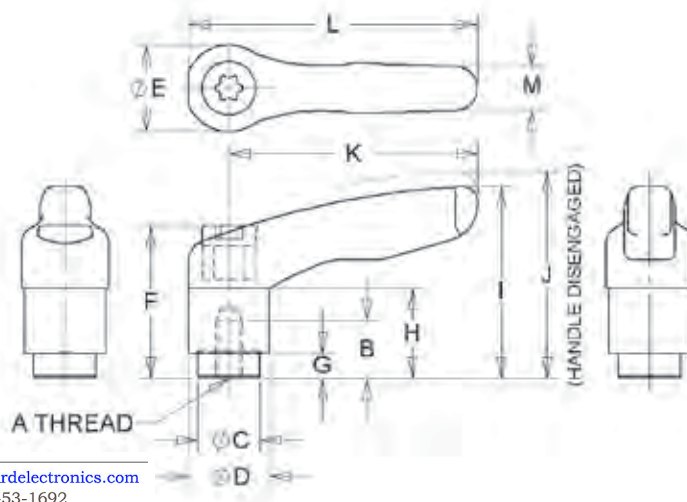
For adjustable clamping or tightening controls for limited operating angles. Adjustment of handle position occurs by pulling up on the handle, which disengages the teeth from the locking mechanism, and turning to the desired position. Releasing the handle allows for tightening or loosening.

Tapped Holes:

- Material: Handle, Die Cast Zinc
- Finish: Handle, Plastic Coated
Steel Parts, Black Oxide
- Color: Black Satin Finish

Stainless Steel Tapped Holes:

- Material: Handle, Die Cast Zinc Steel Parts, 303
Stainless Steel
- Finish: Handle, Plastic Coated Steel Parts, Bright
- Color: Black Satin Finish



With Tapped Holes



www.aboveboardelectronics.com
1-800-453-1692

Tapped Part Number	Stainless Tapped Part Number	A	B	C	D	E	F	G	H	I	J	K	L	M
40501	-	8-32	0.35	0.39	0.51	0.57	0.94	0.16	0.59	1.16	1.31	1.57	1.85	0.29
-	40602	10-24	0.35	0.39	0.51	0.57	0.94	0.15	0.59	1.16	1.31	1.57	1.85	0.29
40502	-	10-24	0.35	0.39	0.51	0.57	0.94	0.16	0.59	1.16	1.31	1.57	1.85	0.29
-	40603	1/4-20	0.35	0.39	0.51	0.57	0.94	0.15	0.59	1.16	1.31	1.57	1.85	0.29
40503	-	1/4-20	0.35	0.39	0.51	0.57	0.94	0.16	0.59	1.16	1.31	1.57	1.85	0.29
40504	40604	1/4-20	0.47	0.53	0.70	0.76	1.14	0.25	0.68	1.61	1.77	2.55	2.95	0.37
40505	40605	5/16-18	0.47	0.53	0.70	0.76	1.14	0.25	0.68	1.61	1.77	2.55	2.95	0.37
-	40606	5/16-18	0.55	0.62	0.84	0.90	1.47	0.39	0.94	2.08	2.24	3.14	3.60	0.45
40506	-	5/16-18	0.55	0.70	0.84	0.90	1.47	0.39	0.94	2.08	2.24	3.14	3.60	0.43
-	40607	3/8-16	0.55	0.62	0.84	0.90	1.47	0.39	0.94	2.08	2.24	3.14	3.60	0.45
40507	-	3/8-16	0.55	0.70	0.84	0.90	1.47	0.39	0.94	2.08	2.24	3.74	3.60	0.43
-	40608	3/8-16	0.66	0.74	1.00	1.08	1.67	0.39	1.06	2.40	2.55	3.74	4.28	0.53
40508	-	3/8-16	0.66	0.70	1.00	1.08	1.67	0.39	1.06	2.40	2.55	3.74	4.25	0.51
-	40609	1/2-13	0.66	0.74	1.00	1.08	1.67	0.39	1.06	2.40	2.55	3.74	4.28	0.53
40509	-	1/2-13	0.66	0.70	1.00	1.08	1.67	0.39	1.06	2.40	2.55	3.74	4.25	0.51
40510	40610	1/2-13	0.90	0.90	1.18	1.27	2.00	0.47	1.29	2.85	3.05	4.32	4.97	0.61
40511	40611	5/8-11	0.90	0.90	1.18	1.27	2.00	0.47	1.29	2.85	3.05	4.32	4.97	0.61

Jergens offers 3D models

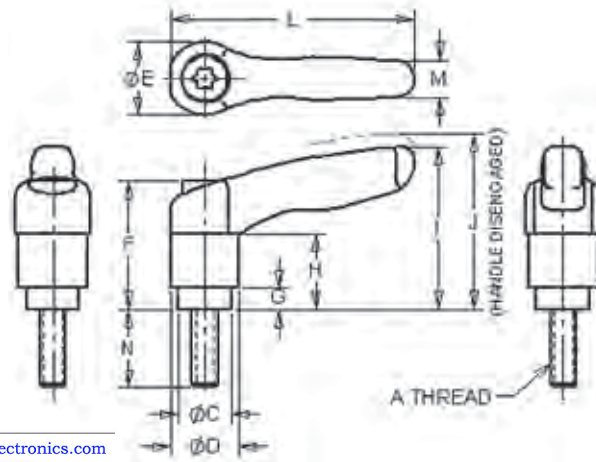
**for all handles, knobs and handwheels
at www.jergensinc.com**



Metal Adjustable Handles



For adjustable clamping or tightening controls for limited operating angles. Adjustment of handle position occurs by pulling up on the handle, which disengages the teeth from the locking mechanism, and turning to the desired position. Releasing the handle allows for tightening or loosening.



- Material: Handle, Die Cast Zinc
- Finish: Handle, Plastic Coated
Steel Parts, Black Oxide
- Color: Black Satin Finish



www.aboveboardelectronics.com
1-800-453-1692

Part Number	Thread Size A	Thread Length N	C	D	E	F	G	H	I	J	L	M
40521	10-24	.59	.39	.51	.57	.94	.16	.59	1.16	1.31	1.85	.29
40522	10-24	.98	.39	.51	.57	.94	.16	.59	1.16	1.31	1.85	.29
40523	1/4-20	.78	.39	.51	.57	.94	.16	.59	1.16	1.31	1.85	.29
40524	1/4-20	.98	.39	.51	.57	.94	.16	.59	1.16	1.31	1.85	.29
40525	1/4-20	1.57	.39	.51	.57	.94	.16	.59	1.16	1.31	1.85	.29
40526	1/4-20	.78	.53	.70	.76	1.14	.25	.68	1.61	1.77	2.95	.37
40527	1/4-20	.98	.53	.70	.76	1.14	.25	.68	1.61	1.77	2.95	.37
40528	1/4-20	1.57	.53	.70	.76	1.14	.25	.68	1.61	1.77	2.95	.37
40529	5/16-18	.78	.53	.70	.76	1.14	.25	.68	1.61	1.77	2.95	.37
40530	5/16-18	.98	.53	.70	.76	1.14	.25	.68	1.61	1.77	2.95	.37
40531	5/16-18	1.57	.53	.70	.76	1.14	.25	.68	1.61	1.77	2.95	.37
40532	3/8-16	.98	.70	.84	.90	1.47	.39	.94	2.08	2.24	3.60	.43
40533	3/8-16	1.57	.70	.84	.90	1.47	.39	.94	2.08	2.24	3.60	.43
40534	3/8-16	1.96	.70	.84	.90	1.47	.39	.94	2.08	2.24	3.60	.43
40535	3/8-16	.98	.70	1.00	1.08	1.67	.39	1.06	2.40	2.55	4.25	.51
40536	3/8-16	1.57	.70	1.00	1.08	1.67	.39	1.06	2.40	2.55	4.25	.51
40537	3/8-16	1.96	.70	1.00	1.08	1.67	.39	1.06	2.40	2.55	4.25	.51
40538	1/2-13	.98	.70	1.00	1.08	1.67	.39	1.06	2.40	2.55	4.25	.51
40539	1/2-13	1.57	.70	1.00	1.08	1.67	.39	1.06	2.40	2.55	4.25	.51
40540	1/2-13	1.96	.70	1.00	1.08	1.67	.39	1.06	2.40	2.55	4.25	.51
40541	1/2-13	.98	.90	1.18	1.27	2.00	.47	1.29	2.85	3.05	4.97	.61
40542	1/2-13	1.57	.90	1.18	1.27	2.00	.47	1.29	2.85	3.05	4.97	.61
40543	1/2-13	1.96	.90	1.18	1.27	2.00	.47	1.29	2.85	3.05	4.97	.61
40544	5/8-11	1.37	.90	1.18	1.27	2.00	.47	1.29	2.85	3.05	4.97	.61
40545	5/8-11	1.77	.90	1.18	1.27	2.00	.47	1.29	2.85	3.05	4.97	.61
40546	5/8-11	2.16	.90	1.18	1.27	2.00	.47	1.29	2.85	3.05	4.97	.61
34360	M5	25	10	13	14	24.5	4	14.5	30	33	37	7
34361	M5	35	10	13	14	24.5	4	14.5	30	33	37	7

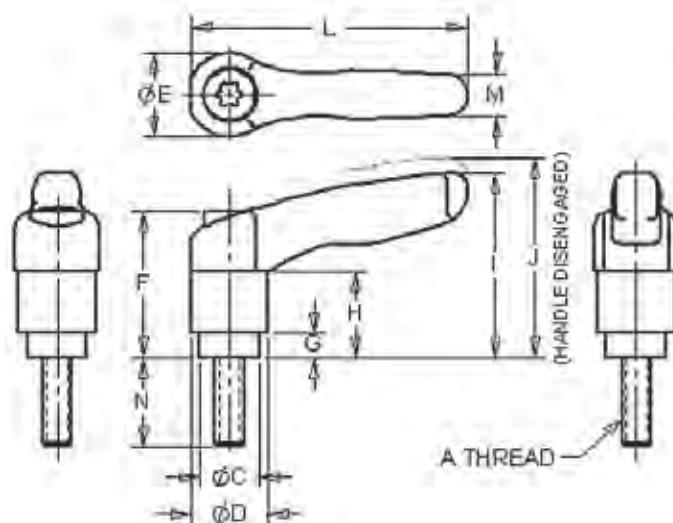
HANDLES, LEVERS & CRANKS



Metal Adjustable Handles



For adjustable clamping or tightening controls for limited operating angles. Adjustment of handle position occurs by pulling up on the handle, which disengages the teeth from the locking mechanism, and turning to the desired position. Releasing the handle allows for tightening or loosening.



- Handle: Zinc Die Cast, Powder Coated, Satin Black
- Bolts & Internal Parts: Steel Black Oxide Finish; 303 Stainless Steel

With Stainless Steel Stud

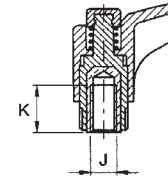
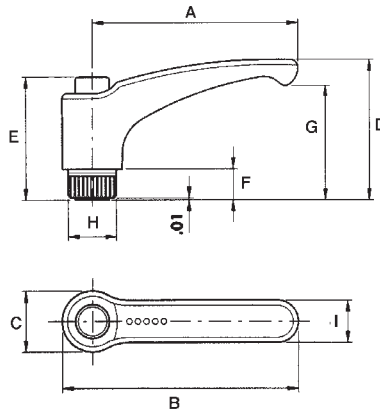
Part Number	Thread Size A	Thread Length N	C	D	E	F	G	H	I	J	K	L	M
40621	10-24	.59	.39	.51	.57	.94	.15	.59	1.16	1.31	1.57	1.85	.29
40623	1/4-20	.78	.39	.51	.57	.94	.15	.59	1.16	1.31	1.57	1.85	.29
40625	1/4-20	1.57	.53	.70	.76	1.14	.25	.68	1.61	1.77	2.55	2.95	.37
40630	5/16-18	.78	.53	.70	.76	1.14	.25	.68	1.61	1.77	2.55	2.95	.37
40631	5/16-18	1.57	.53	.70	.76	1.14	.25	.68	1.61	1.77	2.55	2.95	.37
40632	3/8-16	.98	.62	.84	.90	1.47	.39	.94	2.08	2.24	3.14	3.60	.45
40634	3/8-16	1.96	.62	.84	.90	1.47	.39	.94	2.08	2.24	3.14	3.60	.45
40641	1/2-13	.98	.74	1.00	1.08	1.67	.39	1.06	2.40	2.55	3.74	4.28	.53
40643	1/2-13	1.96	.74	1.00	1.08	1.67	.39	1.06	2.40	2.55	3.74	4.28	.53
40644	5/8-11	1.57	.90	1.18	1.27	2.00	.47	1.29	2.85	3.05	4.32	4.97	.61
40646	5/8-11	2.36	.90	1.18	1.27	2.00	.47	1.29	2.85	3.05	4.32	4.97	.61



www.aboveboardelectronics.com
1-800-453-1692



Adjustable Handle ELESA Original Design



- Material: Glass Fibre Reinforced Technopolymer
- Finish: Body - Gray/Black Matte
Push Button - Orange
- Insert: Brass With Tapped Blind Hole
- Resistant to Solvents, Oils, Greases, and other Chemical Agents
- Optional button colors available upon request (Black, Grey, Yellow, Blue & Red)

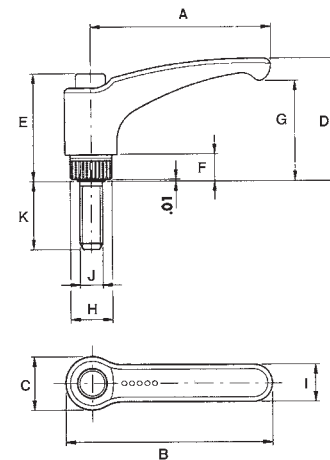
With Brass Insert

Brass Insert	Stainless Insert	A	B	C	D	E	F	G	H	I	J	K
34401	—	1.73	2.05	.61	1.28	1.16	.24	.98	.47	.43	10-24	.39
34402	34412	1.73	2.05	.61	1.28	1.16	.24	.98	.47	.43	1/4-20	.39
34403	—	2.48	2.89	.75	1.69	1.48	.31	1.36	.59	.53	1/4-20	.47
34404	34414	2.48	2.89	.75	1.69	1.48	.31	1.36	.59	.53	5/16-18	.51
34406	—	3.07	3.56	.91	2.13	1.85	.47	1.73	.75	.63	3/8-16	.67
34407	34416	3.07	3.56	.91	2.13	1.85	.47	1.73	.75	.63	1/2-13	.67
34408	—	3.74	4.29	1.04	2.54	2.15	.51	2.09	.85	.71	3/8-16	.79
34409	—	3.74	4.29	1.04	2.54	2.15	.51	2.09	.85	.71	1/2-13	.79

Adjustable Handle With Stud ELESA Original Design



- Material: Glass Fibre Reinforced Technopolymer
- Finish: Body - Gray/Black Matte
Push Button - Orange
- Stud: Zinc Plated Steel With Chamfered End.
- Resistant to Solvents, Oils, Greases, and other Chemical Agents
- Optional button colors available upon request (Black, Grey, Yellow, Blue & Red)



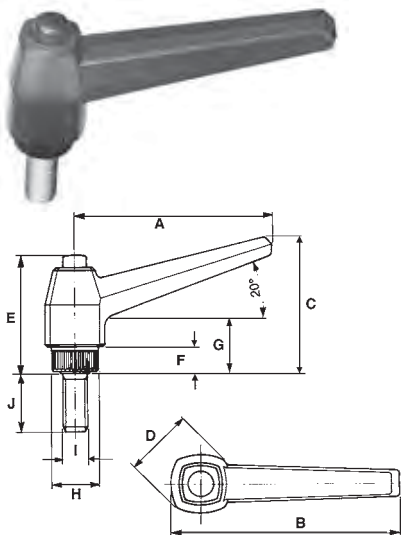
ADE Above Board Electronics, Inc.
www.aboveboardelectronics.com
1-800-453-1692

Part Number	A	B	C	D	E	F	G	H	I	J	K
34421	1.73	2.05	.61	1.28	1.16	.24	.98	.47	.43	10-24	.75
34422	1.73	2.05	.61	1.28	1.16	.24	.98	.47	.43	1/4-20	.75
34423	1.73	2.05	.61	1.28	1.16	.24	.98	.47	.43	1/4-20	1
34424	2.48	2.89	.75	1.69	1.48	.31	1.36	.59	.53	5/16-18	.75
34425	2.48	2.89	.75	1.69	1.48	.31	1.36	.59	.53	5/16-18	1
34426	2.48	2.89	.75	1.69	1.48	.31	1.36	.59	.53	5/16-18	1.2
34427	3.07	3.56	.91	2.13	1.85	.47	1.73	.75	.63	3/8-16	1
34428	3.07	3.56	.91	2.13	1.85	.47	1.73	.75	.63	3/8-16	1.2
34429	3.07	3.56	.91	2.13	1.85	.47	1.73	.75	.63	3/8-16	1.5

HANDLES, LEVERS & CRANKS



Plastic Button Head Adjustable Handle With Stud ELESA Original Design



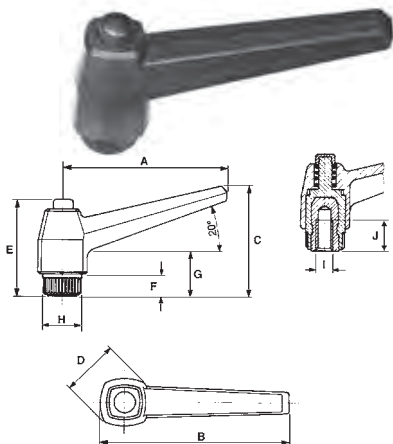
- Material: Glass-Fibre Reinforced Technopolymer Lever Body
- Finish: Black Matte
- Available with a Zinc Plated Steel Stud with a chamfered flat end or with a Brass Insert with a tapped blind hole
- Resistant to Solvents, Oils, Greases, and other Chemical Agents
- Available In Ergostyle®. See Ergostyle Section.
- 3D Solid Models are available in multiple formats from www.jergensinc.com

Part Number	A	B	C	D	E	F	G	H	I	J
34311	1.65	1.96	1.25	0.70	1.14	0.23	0.55	0.47	10-24	0.750
34312	1.65	1.96	1.25	0.70	1.14	0.23	0.55	0.47	1/4-20	0.500
34313	1.65	1.96	1.25	0.70	1.14	0.23	0.55	0.47	1/4-20	0.750
34314	1.65	1.96	1.25	0.70	1.14	0.23	0.55	0.47	1/4-20	1.00
34315	1.65	1.96	1.25	0.70	1.14	0.23	0.55	0.47	1/4-20	1.50
34321	2.48	2.87	1.69	0.90	1.45	0.31	0.66	0.60	1/4-20	0.750
34322	2.48	2.87	1.69	0.90	1.45	0.31	0.66	0.60	1/4-20	1.00
34323	2.48	2.87	1.69	0.90	1.45	0.31	0.66	0.60	1/4-20	1.50
34324	2.48	2.87	1.69	0.90	1.45	0.31	0.66	0.60	5/16-18	0.500
34325	2.48	2.87	1.69	0.90	1.45	0.31	0.66	0.60	5/16-18	0.750
34326	2.48	2.87	1.69	0.90	1.45	0.31	0.66	0.60	5/16-18	1.00
34327	2.48	2.87	1.69	0.90	1.45	0.31	0.66	0.60	5/16-18	1.25
34328	2.48	2.87	1.69	0.90	1.45	0.31	0.66	0.60	5/16-18	1.50
34329	2.48	2.87	1.69	0.90	1.45	0.31	0.66	0.60	5/16-18	2.00
34331	3.15	3.63	2.13	1.10	1.85	0.39	0.86	0.75	3/8-16	0.750
34332	3.15	3.63	2.13	1.10	1.85	0.39	0.86	0.75	3/8-16	1.00
34333	3.15	3.63	2.13	1.10	1.85	0.39	0.86	0.75	3/8-16	1.25
34334	3.15	3.63	2.13	1.10	1.85	0.39	0.86	0.75	3/8-16	1.50
34335	3.15	3.63	2.13	1.10	1.85	0.39	0.86	0.75	3/8-16	2.00
34337	3.15	3.63	2.13	1.10	1.85	0.39	0.86	0.75	1/2-13	1.25
34338	3.15	3.63	2.13	1.10	1.85	0.39	0.86	0.75	1/2-13	1.50
34339	3.15	3.63	2.13	1.10	1.85	0.39	0.86	0.75	1/2-13	2.00
34341	3.94	4.50	2.55	1.30	2.12	0.47	0.98	0.98	1/2-13	1.25
34342	3.94	4.50	2.55	1.30	2.12	0.47	0.98	0.98	1/2-13	1.50
34343	3.94	4.50	2.55	1.30	2.12	0.47	0.98	0.98	1/2-13	2.00



www.aboveboardelectronics.com
1-800-453-1692

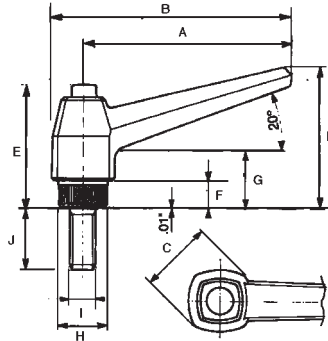
Plastic Button Head Tapped Adjustable Handle



Part Number	A	B	C	D	E	F	G	H	I	J
34301	1.65	1.96	1.25	0.70	1.14	0.23	0.55	0.47	10-24	0.39
34302	1.65	1.96	1.25	0.70	1.14	0.23	0.55	0.47	1/4-20	0.39
34303	2.48	2.87	1.69	0.90	1.45	0.31	0.66	0.60	1/4-20	0.47
34304	2.48	2.87	1.69	0.90	1.45	0.31	0.66	0.60	5/16-18	0.51
34305	3.15	3.62	2.12	1.10	1.85	0.39	0.86	0.74	5/16-18	0.71
34306	3.15	3.62	2.12	1.10	1.85	0.39	0.86	0.74	3/8-16	0.67
34307	3.15	3.62	2.12	1.10	1.85	0.39	0.86	0.74	1/2-13	0.67
34308	3.94	4.48	2.55	1.30	2.12	0.47	0.98	0.98	3/8-16	0.79
34309	3.94	4.48	2.55	1.30	2.12	0.47	0.98	0.98	1/2-13	0.79



Plastic Adjustable Handle With Stainless Steel Stud ELESA Original Design



- Material: Lever Body, Glass-Fibre Reinforced Technopolymer
- Finish: Lever Body, Black Matte
- Stainless Steel Stud with chamfered flat end
- Retaining Pin, Glass-Fibre Reinforced Technopolymer integrally molded with the Locking Element
- Push Button, Black Matte Technopolymer
- Resistant to Solvents, Oils, Greases, and other Chemical Agents

Part Number	A	B	C	D	E	F	G	H	I	J
34145	2.48	2.87	0.91	1.69	1.46	0.31	0.67	0.59	5/16-18	0.750
34146	2.48	2.87	0.91	1.69	1.46	0.31	0.67	0.59	5/16-18	1.000
34147	2.48	2.87	0.91	1.69	1.46	0.31	0.67	0.59	5/16-18	1.250

Metric

Part Number*	A	B	C	D	E	F	G	H	I	J
34156	42	50	32	18	29	6	14	12	M6	16
34157	63	73	43	23	37	8	17	15	M8	20
34158	80	92	51	28	47	10	22	19	M10	20
34159	80	92	54	28	47	10	22	19	M12	30

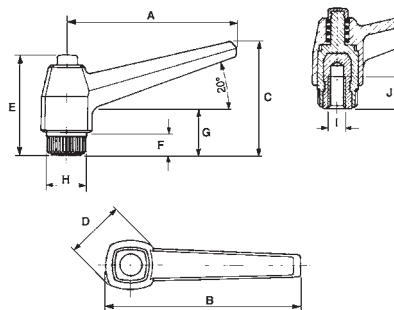
*Dimensions in millimeters



www.aboveboardelectronics.com
1-800-453-1692

Plastic Button Head Adjustable Tapped Handle With Stainless Steel Insert

Metric
ELESA Original Design



- Material: Glass-Fibre Reinforced Technopolymer Lever Body
- Finish: Black Matte
- Locking Element: Black, Glass-Fibre Reinforced Technopolymer
- Insert: 303 Stainless Steel
- Resistant to Solvents, Oils, Greases, and other Chemical Agents

Part Number*	A	B	C	D	E	F	G	H	I	J
34151	42	50	32	18	29	6	14	12	M6	10
34152	63	73	43	23	37	8	17	15	M8	13
34153	80	92	54	28	47	10	22	19	M10	17

*Dimensions in millimeters

HANDLES, LEVERS & CRANKS



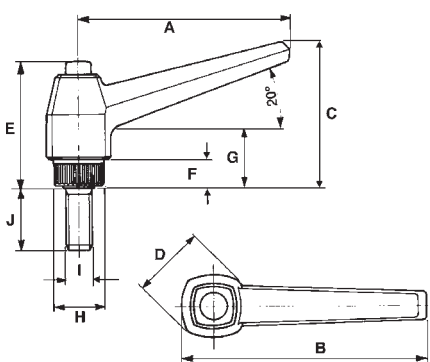
Plastic Button Head Adjustable Handle With Stud

Metric ELESA Original Design



For adjustable clamping or tightening controls when the operating angle is limited. To adjust during the locking operation, lift the lever in order to disengage the teeth from the locking element and change lever position. The return spring automatically engages the teeth again.

- Material: Glass-Fibre Reinforced Technopolymer Lever Body
- Finish: Black Matte
- Locking Element: Black, Glass-Fibre Reinforced Technopolymer
- Stud: Zinc Plated Steel
- Resistant to Solvents, Oils, Greases, and other Chemical Agents



Part Number*	A	B	C	D	E	F	G	H	I	J
34362	42	50	32	18	29	6	14	12	M6	16
34363	42	50	32	18	29	6	14	12	M6	20
34364	42	50	32	18	29	6	14	12	M6	30
34365	42	50	32	18	29	6	14	12	M6	40
34374	63	73	43	23	37	8	17	15	M8	16
34375	63	73	43	23	37	8	17	15	M8	20
34377	63	73	43	23	37	8	17	15	M8	30
34378	63	73	43	23	37	8	17	15	M8	40
34379	63	73	43	23	37	8	17	15	M8	50
34381	80	92	54	28	47	10	22	19	M10	20
34383	80	92	54	28	47	10	22	19	M10	30
34385	80	92	54	28	47	10	22	19	M10	50
34387	80	92	54	28	47	10	22	19	M12	30
34388	80	92	54	28	47	10	22	19	M12	40
34391	100	114	65	33	54	12	25	25	M12	30
34393	100	114	65	33	54	12	25	25	M12	50



www.aboveboardelectronics.com
1-800-453-1692

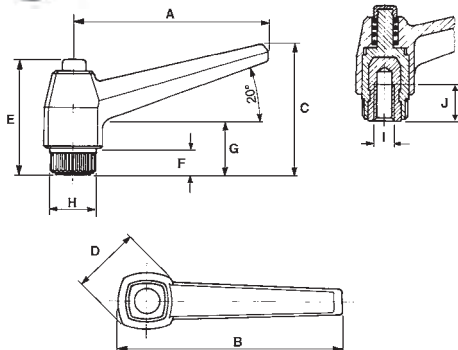
*Dimensions in millimeters

Plastic Button Head Tapped Adjustable Handle

Metric ELESA Original Design



- Material: Glass-Fibre Reinforced Technopolymer Lever Body
- Finish: Black Matte
- Locking Element: Black, Glass-Fibre Reinforced Technopolymer
- Insert: Brass
- Resistant to Solvents, Oils, Greases, and other Chemical Agents



Part Number*	A	B	C	D	E	F	G	H	I	J
34352	42	50	32	18	29	6	14	12	M6	10
34354	63	73	43	23	37	8	17	15	M8	13
34355	80	92	54	28	47	10	22	19	M8	20
34356	80	92	54	28	47	10	22	19	M10	18
34357	80	92	54	28	47	10	22	19	M12	17
34359	100	114	65	33	54	12	25	25	M12	20

*Dimensions in millimeters

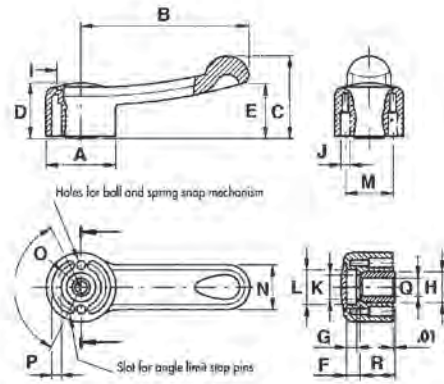


www.aboveboardelectronics.com
1-800-453-1692

Control Lever ELESA Original Design



- Material: Glass Fibre Reinforced Technopolymer
- Finish: Gray/Black Matte
- Removable Boss Caps
- Adaptable For Click Positioning Applications
- Slot Provided For Angle Limit Stop Pins
- Resistant to Solvents, Oils, Greases, and other Chemical Agents
- Optional cap colors available upon request (Black, Grey, Yellow, Blue & Red)



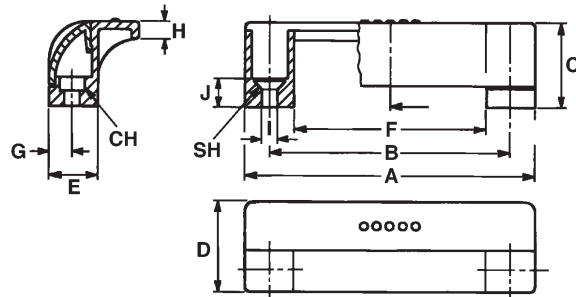
Part Number	A	B	C	D	E	F	G	H	I	J	K	L	M	N	O	P	Q	R
34460	1.46	3.35	1.56	1.04	1.02	.30	.20	.71	1.02	.20	.53	.79	1.02	.91	.54	.17	.315	.69
34461	1.81	4.33	2.13	1.38	1.42	.39	.31	.87	1.24	.24	.67	1.00	1.26	1.14	.69	.26	.472	.87

Machine Guard Handles ELESA Original Design



Closed Style

Open Style



- Material: Glass-Fibre Reinforced Technopolymer
- Finish: Gray/Black Matte
- Handle Shank, Matte Reinforced Polyamide Technopolymer
- Safety Cover Caps, Technopolymer Orange
- Cylindrical Socket Head (CH) or Countersunk Head (SH) Self-Tapping Screws (use 1/4-20 screws)
- Resistant to Solvents, Oils, Greases, and other Chemical Agents
- Optional cap colors available upon request (Black, Grey, Yellow, Blue & Red)

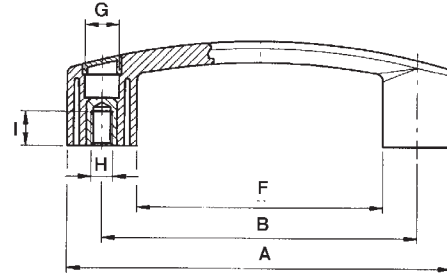
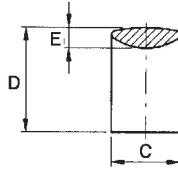
Part Number	Mounting Style	A	B	C	D	E	F	G	H	I	J
34240	CH	4.49	3.68	1.30	1.38	.75	2.91	.37	.28	.26	.43
34241	SH	4.49	3.68	1.30	1.38	.75	2.91	.37	.28	.26	.43
34242*	CH	4.49	3.68	1.30	1.38	.75	2.91	.37	.28	.26	.43
34243*	SH	4.49	3.68	1.30	1.38	.75	2.91	.37	.28	.26	.43

* Open Style

HANDLES, LEVERS & CRANKS



Back Mounted Bridge Handle ELESA Original Design



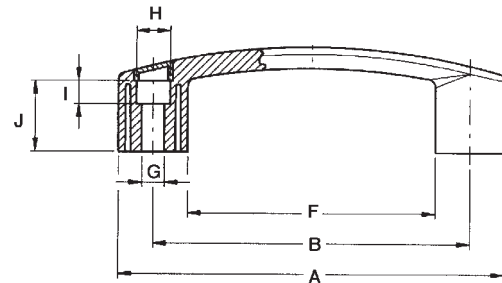
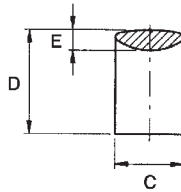
- Material: Glass Fibre Reinforced Technopolymer
- Finish: Gray/Black Matte
- Inserts: Tapped with Blind Hole
- Resistant to Solvents, Oils, Greases, and other Chemical Agents
- Optional cap colors available upon request (Black, Grey, Yellow, Orange, Blue & Red)

Part Number	A	B	C	D	E	F	G	H	I
33875	4.57	3.68	0.87	1.38	0.29	2.83	0.51	1/4-20	0.47
34469	5.67	4.61	1.02	1.54	0.33	3.62	0.53	5/16-18	0.51
33876	7.01	5.91	1.10	1.77	0.37	4.80	0.53	5/16-18	0.51



www.aboveboardelectronics.com
1-800-453-1692

Front Mounted Bridge Handle ELESA Original Design



- Material: Glass Fibre Reinforced Technopolymer
- Finish: Gray/Black Matte
- Mounted by Two Through Holes in Front
- Resistant to Solvents, Oils, Greases, and other Chemical Agents
- Optional cap colors available upon request (Black, Grey, Yellow, Orange, Blue & Red)

Part Number	A	B	C	D	E	F	G	H	I	J
34467	4.57	3.68	0.87	1.38	0.29	2.83	0.25	0.41	0.25	0.92
34468	5.67	4.61	1.02	1.54	0.31	3.62	0.33	0.53	0.33	1.04
34479	7.01	5.91	1.10	1.77	0.37	4.8	0.33	0.53	0.55	1.26



Plastic Handle ELESA Original Design



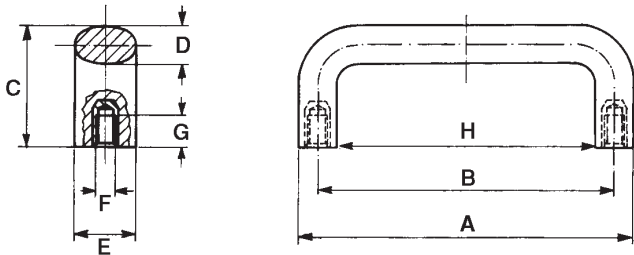
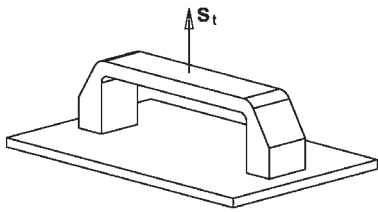
- Material: High Impact Strength Technopolymer
- Finish: Black Matte
- Insert: Brass With Tapped Blind Hole
- Resistant to Solvents, Oils, Greases, and other Chemical Agents

Part Number	A	B	C	D	E	F	G	St lbs
33791	3.94	3.39	1.73	0.55	0.91	1/4-20	0.47	538
33792	5.28	4.61	1.93	0.59	0.98	5/16-18	0.51	594
33793	7.72	7.05	2.24	0.63	1.06	5/16-18	0.51	450

Metric

Part Number*	A	B	C	D	E	F	G	H	St N
33706	100	86	44	14	23	M6	12	73	2400
33705	134	117	49	15	25	M8	13	103	2650
33707	196	179	57	16	27	M8	13	105	2000

*Dimensions in millimeters



www.aboveboardelectronics.com
1-800-453-1692

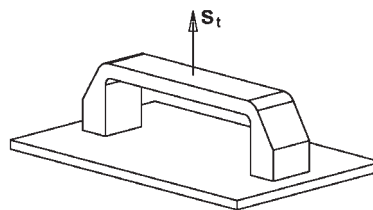
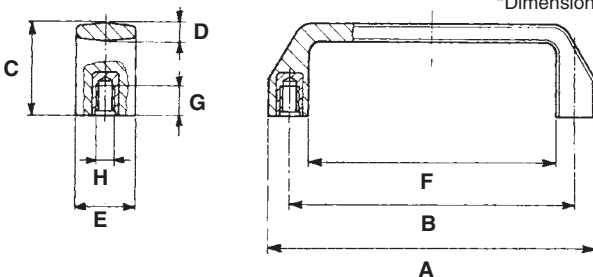
Plastic Handle Metric ELESA Original Design



- Material: High Impact Strength Technopolymer
- Finish: Black Matte
- Insert: Brass With Tapped Blind Hole
- Resistant to Solvents, Oils, Greases, and other Chemical Agents

Part Number*	A	B	C	D	E	F	G	H	St N
33708	134	117	38	7.5	25	102	12	M6	2000
33709	134	117	38	7.5	25	102	12	M8	2000

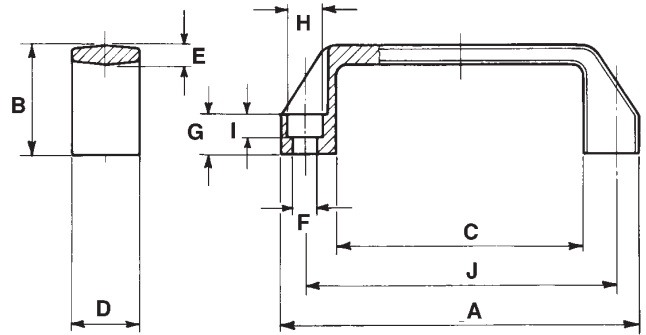
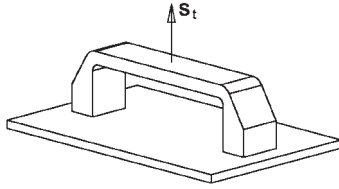
*Dimensions in millimeters



HANDLES, LEVERS & CRANKS



Plastic Pull/Lift Handle ELESA Original Design



- Material: Glass-Fibre Reinforced Polyamide Technopolymer
- Finish: Black Matte
- Maximum Working Temp. 210°F
- Resistant to Solvents, Oils, Greases, and other Chemical Agents

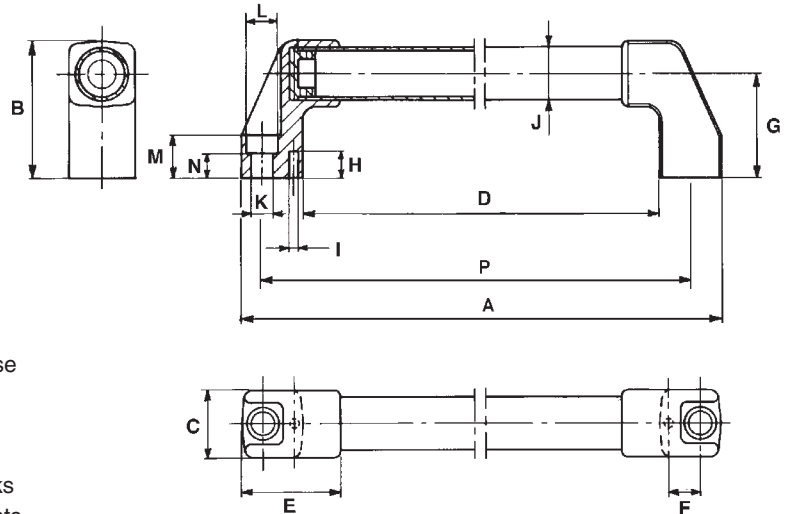
Part Number	A	B	C	D	E	F	G	H	I	J	St*
33701	4.21	1.42	2.91	0.83	0.24	0.26	0.51	0.41	0.28	3.68	560
33702	5.28	1.61	3.74	1.02	0.28	0.34	0.59	0.53	0.33	4.61	560
33703	5.90	1.77	4.25	1.06	0.28	0.34	0.63	0.53	0.33	5.20	560
33704	7.76	1.97	6.02	1.10	0.31	0.34	0.67	0.53	0.33	7.05	605
33710	10.31	2.13	7.95	1.22	0.35	0.41	0.79	0.65	0.41	9.25	784

* Denotes Stength Table



www.aboveboardelectronics.com
1-800-453-1692

Aluminum Tubular Handle Elesa Original Design



- Material: Tube, Aluminum Handle Shanks, Reinforced Polyamide Technopolymer
- Finish: Tube, Polyurethane coat on an epoxy base Color, Metallflake Graphite
- Handle Shank connection is axially knurled to the tube to prevent tube rotation
- Reference pins for safer positioning of the shanks
- Resistant to wear, scratches, and chemical agents

Part Number	A	B	C	D	E	F	G	H	I	J	K	L	M	N	P
33725	12.76	3.07	1.50	10.00	2.24	.71	2.36	.59	.16	1.18	.41	.63	.98	.59	12
33727	16.69	3.07	1.50	13.94	2.24	.71	2.36	.59	.16	1.18	.41	.63	.98	.59	16
33728	20.63	3.07	1.50	17.87	2.24	.71	2.36	.59	.16	1.18	.41	.63	.98	.59	20
33730	28.50	3.07	1.50	25.75	2.24	.71	2.36	.59	.16	1.18	.41	.63	.98	.59	28



www.aboveboardelectronics.com
1-800-453-1692

Knobs

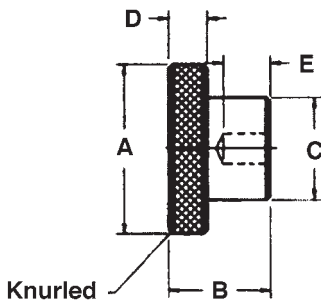
Aluminum Hand Knob.....	119-120	Plastic T-Handle	138
Aluminum Hand Knob With Stud.....	119	Plastic Three-Spoked Knob	142
Aluminum Palm Grips.....	144	Plastic Wing Knob	125
Aluminum Palmgrip Knob	121	Plastic Wing Knob With Stud	125
Aluminum Star Nuts.....	145	Polished Steel Ball	123
Brass Ball	123	Quick Lock Hand Knob	117
Cast Iron Hand Knob.....	118	Soft Touch Ball	124
Knurled Knob	136	Soft Touch Oval Tapered Knob	140
Knurled Knob With Stud	136	Soft Touch Tapered Knob	141
Knurled Steel Knob	121	Speed Bar Knob	122
Knurled Thumb Screw	149	Stainless Steel Star Grips.....	146
Stainless Steel Palm Grips.....	143	Steel Knurled Control Knob.....	116
Mushroom Knobs	148	Steel Knurled Control Knob With Stud.....	117
Plain Steel Ball.....	123	Thermoplastic Fluted Knob.....	129
Plastic Ball	124	Wing Nut	126
Plastic Fluted Grip Knob.....	135	Wing Nut With Stud	126
Plastic Fluted Grip Knob With Stud.....	135	Wing Nuts	147
Plastic Fluted Knob	129		
Plastic Four Prong Knob.....	127		
Plastic Four Prong Knob With Extended Prong	127		
Plastic Knurled Torque Knob.....	128		
Plastic Knurled Torque Knob With Stud.....	128		
Plastic Knurled Knob	130		
Plastic Knurled Knob With Stud	130		
Plastic Knurled Grip Knob.....	137		
Plastic Latch Type Lobe Knob	137		
Plastic Lift Knob	139		
Plastic Lobe Knob.....	131-133		
Plastic Lobe Knob With Stud	134		
Plastic Lobe Knob With Stainless Steel Stud.....	134		
Plastic Oval Tapered Knob.....	140		
Plastic Push/Pull Knob.....	142		
Plastic Tapered Knob	139		



Steel Knurled Control Knob



- Material: 1214 Steel
- Finish: Black Oxide
- Knurled Head



Part Number	A	B	C	D	E	Hole Diameter
21200	3/4	5/8	1/2	1/4	3/8	3/16 Ream
21201	3/4	5/8	1/2	1/4	3/8	10-24 Tap
21202	3/4	5/8	1/2	1/4	3/8	10-24 Thru Hole
21203	3/4	5/8	1/2	1/4	3/8	1/4 Ream
21204	3/4	5/8	1/2	1/4	3/8	1/4-20 Tap
21205	3/4	5/8	1/2	1/4	3/8	1/4-20 Thru Hole
21206	1	3/4	5/8	1/4	1/2	1/4 Ream
21207	1	3/4	5/8	1/4	1/2	1/4-20 Tap
21208	1	3/4	5/8	1/4	1/2	1/4-20 Thru Hole
21209	1	3/4	5/8	1/4	1/2	5/16 Ream
21210	1	3/4	5/8	1/4	1/2	5/16-18 Tap
21211	1	3/4	5/8	1/4	1/2	5/16-18 Thru Hole
21212	1 1/2	1	3/4	5/16	5/8	5/16 Ream
21213	1 1/2	1	3/4	5/16	5/8	5/16-18 Tap
21214	1 1/2	1	3/4	5/16	5/8	5/16-18 Thru Hole
21215	1 1/2	1	3/4	5/16	5/8	3/8 Ream
21216	1 1/2	1	3/4	5/16	5/8	3/8-16 Tap
21217	1 1/2	1	3/4	5/16	5/8	3/8-16 Thru Hole
21218	2	1 1/8	1	3/8	5/8	3/8 Ream
21219	2	1 1/8	1	3/8	5/8	3/8-16 Tap
21220	2	1 1/8	1	3/8	5/8	3/8-16 Thru Hole
21221	2	1 1/8	1	3/8	5/8	1/2 Ream
21222	2	1 1/8	1	3/8	5/8	1/2-13 Tap
21223	2	1 1/8	1	3/8	5/8	1/2-13 Thru Hole
21224	2 1/2	1 1/2	1 1/2	9/16	3/4	1/2 Ream
21225	2 1/2	1 1/2	1 1/2	9/16	3/4	1/2-13 Tap
21226	2 1/2	1 1/2	1 1/2	9/16	3/4	1/2-13 Thru Hole
21227	2 1/2	1 1/2	1 1/2	9/16	3/4	5/8 Ream
21228	2 1/2	1 1/2	1 1/2	9/16	3/4	5/8-11 Tap
21229	2 1/2	1 1/2	1 1/2	9/16	3/4	5/8-11 Thru Hole
21230	3	1 3/4	1 3/4	5/8	1	5/8 Ream
21231	3	1 3/4	1 3/4	5/8	1	5/8-11 Tap
21232	3	1 3/4	1 3/4	5/8	1	5/8-11 Thru Hole
21233	3	1 3/4	1 3/4	5/8	1	3/4 Ream
21234	3	1 3/4	1 3/4	5/8	1	3/4-10 Tap
21235	3	1 3/4	1 3/4	5/8	1	3/4-10 Thru Hole

Note: Also available in Metric and Stainless Steel



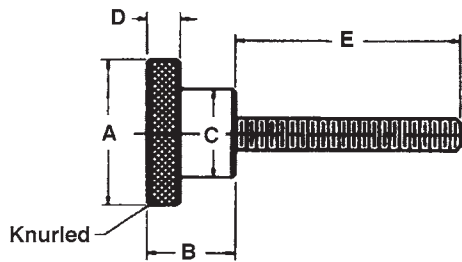
www.aboveboardelectronics.com
1-800-453-1692



Steel Knurled Control Knob With Stud



- Material: 1214 Steel
- Finish: Black Oxide
- Knurled Head

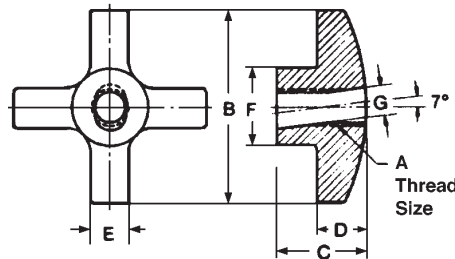
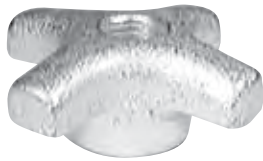


Part Number	A	B	C	D	E	Stud Thread
21240	3/4	5/8	1/2	1/4	1/2	10-24
21241	3/4	5/8	1/2	1/4	1	10-24
21242	3/4	5/8	1/2	1/4	3/4	1/4-20
21243	3/4	5/8	1/2	1/4	1 1/4	1/4-20
21244	1	3/4	5/8	1/4	1 3/4	1/4-20
21245	1	3/4	5/8	1/4	1 3/4	5/16-18
21246	1	3/4	5/8	1/4	3	5/16-18
21247	1 1/2	1	3/4	5/16	1 3/4	5/16-18
21248	1 1/2	1	3/4	5/16	3	5/16-18
21249	1 1/2	1	3/4	5/16	1 3/4	3/8-16
21250	1 1/2	1	3/4	5/16	3	3/8-16
21251	2	1 1/8	1	3/8	1 3/4	3/8-16
21252	2	1 1/8	1	3/8	3	3/8-16
21253	2	1 1/8	1	3/8	1 3/4	1/2-13
21254	2 1/2	1 1/2	1 1/2	9/16	1 3/4	1/2-13
21255	2 1/2	1 1/2	1 1/2	9/16	3	1/2-13
21256	2 1/2	1 1/2	1 1/2	9/16	1 3/4	5/8-11



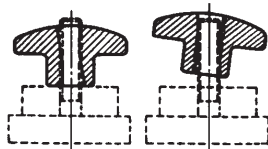
www.aboveboardelectronics.com
1-800-453-1692

Quick Lock Hand Knob



Used to save time where a knob must be completely removed from the stud. After approximately one-quarter turn of the hand knob, it can be tilted on an angle and removed from the stud. Recommended for light duty applications.

- Material: 40 Grey Iron
- Finish: Zinc Plate
- Thread: Class 2B-UNC
- 3D Solid Models are available in multiple formats from www.jergensinc.com



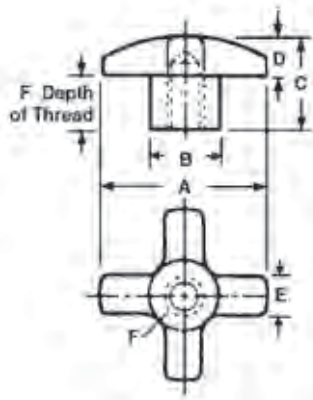
Part Number	Thread Size A	B	C	D	E	F	G	Wt. (lbs)
33901	1/4-20	1 1/8	11/16	5/16	5/16	9/16	17/64	.06
33902	3/8-16	2 3/16	1	1/2	1/2	7/8	25/64	.27
33903	1/2-13	3	1 1/4	5/8	5/8	1 7/16	33/64	.72
33904	5/8-11	3	1 1/4	5/8	5/8	1 7/16	41/64	.69



Cast Iron Hand Knob



- Material: #30 Grey Iron
- Finish: Zinc Plate
- Thread: 2B-UNC
- Ream: +.002
-.000
- Hub: Available Blank, Reamed or Tapped
- 3D Solid Models are available in multiple formats from www.jergensinc.com



Part Number	A	B	C	D	E	Hub Style	Depth of Thread F	Wt. (lbs) 10 Pcs.
16305*	1 1/8	5/8	3/4	5/16	5/16	Blank	—	.78
16331*	1 1/8	5/8	11/16	5/16	5/16	1/4 Ream	1/2	.63
16330	1 1/8	5/8	11/16	5/16	5/16	5/16 Ream	1/2	.63
16306*	1 1/8	5/8	11/16	5/16	5/16	1/4-20 Tap	1/2	.63
16307	1 1/8	5/8	11/16	5/16	5/16	5/16-18 Tap	1/2	.63
16308*	1 1/2	11/16	15/16	7/16	3/8	Blank	—	1.56
16309*	1 1/2	11/16	7/8	7/16	3/8	5/16 Ream	9/16	1.30
16310	1 1/2	11/16	7/8	7/16	3/8	3/8 Ream	9/16	1.30
16311*	1 1/2	11/16	7/8	7/16	3/8	5/16-18 Tap	9/16	1.30
16312	1 1/2	11/16	7/8	7/16	3/8	3/8-16 Tap	9/16	1.30
16313*	2	3/4	1 3/16	1/2	1/2	Blank	—	3.00
16314*	2	3/4	1 1/8	1/2	1/2	3/8 Ream	11/16	2.75
16315	2	3/4	1 1/8	1/2	1/2	1/2 Ream	11/16	2.70
16316*	2	3/4	1 1/8	1/2	1/2	3/8-16 Tap	11/16	2.75
16317	2	3/4	1 1/8	1/2	1/2	1/2-13 Tap	11/16	2.70
16318*	2 1/2	1 1/8	1 9/16	5/8	5/8	Blank	—	7.00
16319*	2 1/2	1 1/8	1 1/2	5/8	5/8	1/2 Ream	1	6.00
16320*	2 1/2	1 1/8	1 1/2	5/8	5/8	5/8 Ream	1	5.80
16321*	2 1/2	1 1/8	1 1/2	5/8	5/8	1/2-13 Tap	1	6.00
16322*	2 1/2	1 1/8	1 1/2	5/8	5/8	5/8-11 Tap	1	5.80
16323*	3	1 1/4	1 13/16	9/16	5/8	Blank	—	11.25
16324*	3	1 1/4	1 3/4	9/16	5/8	5/8 Ream	1 1/8	10.00
16325*	3	1 1/4	1 3/4	9/16	5/8	3/4 Ream	1 1/8	8.20
16326	3	1 1/4	1 3/4	9/16	5/8	1/2-13 Tap	1 1/8	10.70
16327*	3	1 1/4	1 3/4	9/16	5/8	5/8-11 Tap	1 1/8	10.25
16328*	3	1 1/4	1 3/4	9/16	5/8	3/4-10 Tap	1 1/8	8.50

*TCMA Standard



www.aboveboardelectronics.com
1-800-453-1692

Cast Iron Hand Knob Metric

- Material: #30 Grey Iron
- Finish: Zinc Plate
- Thread: Class 6h
- Ream: -.000
+.05
- Blank Knobs are Zinc Plated
- 3D Solid Models are available in multiple formats from www.jergensinc.com

*Part Number	A	B	C	D	E	Hub Style	Depth of Thread F
16305	28	16	19	8	8	Blank	—
16354	28	16	17	8	8	6mm Ream	12
16355	28	16	17	8	8	M6 x 1.0 Tap	12
16308	38	17	23	11	9	Blank	—
16359	38	17	22	11	9	8mm Ream	14
16361	38	17	22	11	9	M8 x 1.25 Tap	14
16313	50	19	30	13	13	Blank	—
16364	50	19	28	13	13	10mm Ream	17
16366	50	19	28	13	13	M10 x 1.5 Tap	17
16318	63	29	39	16	16	Blank	—
16369	63	29	38	16	16	12mm Ream	25
16370	63	29	38	16	16	16mm Ream	25
16371	63	29	38	16	16	M12 x 1.75 Tap	25
16372	63	29	38	16	16	M16 x 2.0 Tap	25
16323	75	32	45	14	16	Blank	—
16374	75	32	44	14	16	16mm Ream	28
16375	75	32	44	14	16	20mm Ream	28
16377	75	32	44	14	16	M16 x 2.0 Tap	28
16378	75	32	44	14	16	M20 x 2.5 Tap	28

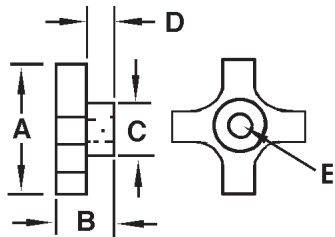
*Dimensions in millimeters



Aluminum Hand Knob



- Material: Aluminum
- Also available in black, red, blue, clear and gold anodized



Part Number	A	B	C	D	E
21000	1	7/8	1/2	1/2	Blank
21001	1	7/8	1/2	1/2	1/4-20 Tap
21002	1	7/8	1/2	1/2	1/4-20 Thru Hole
21003	1	7/8	1/2	1/2	1/4 Ream
21004	1 1/2	7/8	5/8	3/8	Blank
21005	1 1/2	7/8	5/8	3/8	5/16-18 Tap
21006	1 1/2	7/8	5/8	3/8	5/16-18 Thru Hole
21007	1 1/2	7/8	5/8	3/8	5/16 Ream
21008	2	1	13/16	1/2	Blank
21009	2	1	13/16	1/2	3/8-16 Tap
21010	2	1	13/16	1/2	3/8-16 Thru Hole
21011	2	1	13/16	1/2	3/8 Ream
21012	2 1/2	1 1/8	1	9/16	Blank
21013	2 1/2	1 1/8	1	9/16	1/2-13 Tap
21014	2 1/2	1 1/8	1	9/16	1/2-13 Thru Hole
21015	2 1/2	1 1/8	1	9/16	1/2 Ream

Note: Also available in metric sizes.

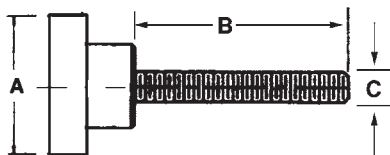
Aluminum Hand Knob With Stud



www.aboveboardelectronics.com
1-800-453-1692



- Material: Aluminum
- Also available in black, red, blue, clear and gold anodized

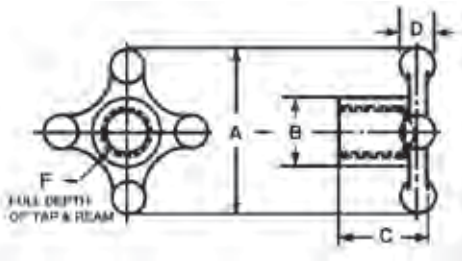


Part Number	A	B	C
21020	1 1/2	1 3/4	1/4-20
21021	1 1/2	3	1/4-20
21022	2	1 3/4	5/16-18
21023	2	3	5/16-18
21024	2 1/2	1 3/4	3/8-16
21025	2 1/2	3	3/8-16
21026	2 1/2	1 3/4	1/2-13
21027	2 1/2	3	1/2-13

Note: Also available in metric sizes.



Aluminum Hand Knob



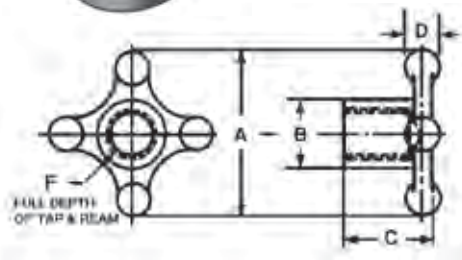
- Material: 319 Aluminum Alloy
- Thread: 2B-UNC
- Ream: +.002
-.000
- 3D Solid Models are available in multiple formats from www.jergensinc.com

Part Number	A	B	C	D	Hub Style	F	Wt. (lbs) 10 Pcs.
21101	1 1/4	9/16	3/4	5/16	Blank	—	.21
21102	1 1/4	9/16	3/4	5/16	1/4 Ream	1/2	.16
21104	1 1/4	9/16	3/4	5/16	1/4-20 Tap	1/2	.16
21105	1 1/4	9/16	3/4	5/16	5/16-18 Tap	1/2	.16
21106	1 1/2	11/16	7/8	3/8	Blank	—	.47
21108	1 1/2	11/16	7/8	3/8	3/8 Ream	5/8	.31
21109	1 1/2	11/16	7/8	3/8	5/16-18 Tap	5/8	.31
21110	1 1/2	11/16	7/8	3/8	3/8-16 Tap	5/8	.31
21111	2 1/8	7/8	1 1/4	1/2	Blank	—	1.10
21112	2 1/8	7/8	1 1/4	1/2	3/8 Ream	7/8	1.00
21113	2 1/8	7/8	1 1/4	1/2	1/2 Ream	7/8	1.00
21114	2 1/8	7/8	1 1/4	1/2	3/8-16 Tap	7/8	1.00
21115	2 1/8	7/8	1 1/4	1/2	1/2-13 Tap	7/8	1.00
21116	3	1 3/8	1 3/4	11/16	Blank	—	3.80
21118	3	1 3/8	1 3/4	11/16	5/8 Ream	1 1/4	3.30
21119	3	1 3/8	1 3/4	11/16	3/4 Ream	1 1/4	3.10
21120	3	1 3/8	1 3/4	11/16	1/2-13 Tap	1 1/4	3.40
21121	3	1 3/8	1 3/4	11/16	5/8-11 Tap	1 1/4	3.30
21122	3	1 3/8	1 3/4	11/16	3/4-10 Tap	1 1/4	3.10

Aluminum Hand Knob Metric



www.aboveboardelectronics.com
1-800-453-1692



- Material: 319 Aluminum Alloy
- Thread: Class 6h
- Ream: +.05
-.000

*Part Number	A	B	C	D	Hub Style	F
21101	31	14	19	8	Blank	—
21152	31	14	19	8	6mm Ream	13
21154	31	14	19	8	M6 Tap	13
21155	31	14	19	8	M8 Tap	13
21106	38	17	22	9	Blank	—
21158	38	17	22	9	10mm Ream	16
21159	38	17	22	9	M8 Tap	16
21160	38	17	22	9	M10 Tap	16
21111	53	22	32	12	Blank	—
21162	53	22	32	12	10mm Ream	22
21163	53	22	32	12	12mm Ream	22
21164	53	22	32	12	M10 Tap	22
21165	53	22	32	12	M12 Tap	22
21116	75	34	44	17	Blank	—
21168	75	34	44	17	16mm Ream	32
21169	75	34	44	17	20mm Ream	32
21170	75	34	44	17	M12 Tap	32
21171	75	34	44	17	M16 Tap	32
21172	75	34	44	17	M20 Tap	32

*Dimensions in millimeters

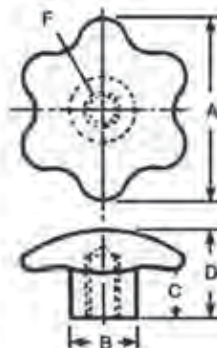


Aluminum Palmgrip Knob



Full Depth of Tap and Ream

- Material: 319 Aluminum Alloy
- Finish: Tumble
- Thread: 2B-UNC or Class 6h
- Ream: +.002
-.000
- Metric Ream: +.05
-.000
- 3D Solid Models are available in multiple formats from www.jergensinc.com



Inch

Part Number	A	B	C	D	F	Hub Style
20901	1 1/2	27/32	7/8	3/8	—	Blank
20902	1 1/2	27/32	7/8	1 5/16	3/4	1/4 Ream
20903	1 1/2	27/32	7/8	1 5/16	3/4	1/4-20 Tap
20904	2	1	7/8	1 19/32	—	Blank
20905	2	1	7/8	1 1/2	3/4	3/8 Ream
20906	2	1	7/8	1 1/2	3/4	3/8-16 Tap
20907	2 3/4	1 3/16	1 1/8	1 31/32	—	Blank
20908	2 3/4	1 3/16	1 1/8	1 7/8	1 1/4	1/2 Ream
20909	2 3/4	1 3/16	1 1/8	1 7/8	1 1/4	1/2-13 Tap
20910	3 1/2	1 1/4	1	1 13/16	—	Blank
20911	3 1/2	1 1/4	1	1 3/4	1 1/4	1/2 Ream
20912	3 1/2	1 1/4	1	1 3/4	1 1/4	1/2-13 Tap

Metric

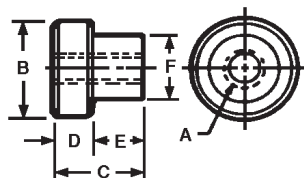
*Part Number	A	B	C	D	F	Hub Style
20901	38	19	22	34	—	Blank
20952	38	19	22	33	19	6mm Ream
20953	38	19	22	33	19	M6 Tap
20904	50	25	22	40	—	Blank
20955	50	25	22	38	19	10mm Ream
20956	50	25	22	38	19	M10 Tap
20907	69	30	29	49	—	Blank
20958	69	30	29	47	31	12mm Ream
20959	69	30	29	47	31	M12 Tap
20910	88	31	25	45	—	Blank
20961	88	31	25	44	31	12mm Ream
20962	88	31	25	44	31	M12 Tap

*Dimensions in millimeters

Knurled Steel Knob



www.aboveboardelectronics.com
1-800-453-1692



- Material: Low Carbon Steel
- Finish: Black Oxide
- Thread: 2B-UNC or Class 6h
- 3D Solid Models are available in multiple formats from www.jergensinc.com

Inch

Part Number	A	B	C	D	E	F
27901	10-24	3/4	5/8	1/4	3/8	7/16
27902	1/4-20	1	3/4	1/4	1/2	5/8
27903	3/8-16	1 1/4	1 1/8	1/2	5/8	3/4
27904	1/2-13	1 1/2	1 1/4	1/2	3/4	1
27905	5/8-11	2	1 3/4	5/8	1 1/8	1 1/4
27906	3/4-10	2 1/2	2 1/4	5/8	1 5/8	1 1/2

Metric

*Part Number	A	B	C	D	E	F
27951	M5 x 0.8	19	16	6	9	11
27952	M6 x 1.0	25	19	6	13	16
27953	M10 x 1.5	31	28	13	16	19
27954	M12 x 1.75	38	31	13	19	25
27955	M16 x 2.0	50	44	16	28	31
27956	M20 x 2.5	63	57	16	41	38

*Dimensions in millimeters

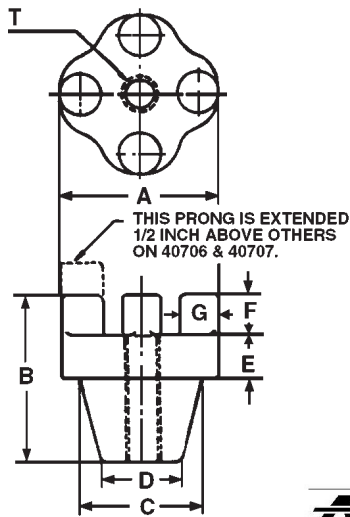


Speed Bar Knob



Speed Bar Knobs offer the ultimate in strength to hold down covers and clamp heavy work pieces. Insert bar between four vertical prongs for maximum leverage and holding force. One extra long prong is available on part numbers **40706** and **40707** for use with a crank handle.

- Material: Malleable ASTM 32510
- Finish: Mill
- Thread: 2B-UNC or Metric Class 6h
- 3D Solid Models are available in multiple formats from www.jergensinc.com



Inch

Part Number	A	B	C	D	E	F	G	T	Wt. (lbs)
40701	2	2 1/8	1 1/4	1 1/8	1/2	3/4	1/2	Blank	0.80
40711	2	2 1/8	1 1/4	1 1/8	1/2	3/4	1/2	3/8-16	0.76
40702	2	2 1/8	1 1/4	1 1/8	1/2	3/4	1/2	1/2-13	0.72
40712	2	2 1/8	1 1/4	1 1/8	1/2	3/4	1/2	5/8-11	0.68
40703	2 1/2	2 3/8	1 3/4	1 1/2	9/16	7/8	5/8	Blank	1.56
40713	2 1/2	2 3/8	1 3/4	1 1/2	9/16	7/8	5/8	1/2-13	1.48
40704	2 1/2	2 3/8	1 3/4	1 1/2	9/16	7/8	5/8	5/8-11	1.44
40705	2 1/2	2 3/8	1 3/8	1 1/2	9/16	7/8	5/8	3/4-10	1.44
40706	3 1/2	2 3/8	2 3/8	2 1/8	1/2	7/8	5/8	Blank	2.50
40715	3 1/2	2 3/8	2 3/8	2 1/8	1/2	7/8	5/8	7/8-09	2.38
40707	3 1/2	2 3/8	2 3/8	2 1/8	1/2	7/8	5/8	1-8	2.25



www.aboveboardelectronics.com
1-800-453-1692

Metric

Part Number**	A	B	C	D	E	F	G	T
40701	50	53	31	28	12	19	12	Blank
40752	50	53	31	28	12	19	12	M12
40703	63	59	44	38	14	22	16	Blank
40754	63	59	44	38	14	22	16	M16
40755	63	59	44	38	14	22	16	M20
40706*	88	59	59	53	12	22	16	Blank
40757*	88	59	59	53	12	22	16	M24

*Note: One extra long prong is available on part numbers 40706 and 40757 for use with a crank handle.

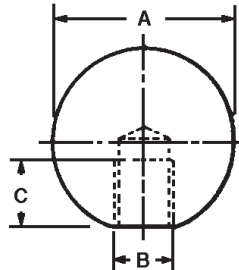
**Dimensions in millimeters



Plain Steel Ball



- Material: Carbon Steel
- Finish: Black Oxide
- Available Tapped or Blank
- 3D Solid Models are available in multiple formats from www.jergensinc.com



Part Number	A	B	C
36511	1 1/2	Blank	—
36512	1 1/2	3/8-16	5/8
36513	2	Blank	—
36514	2	1/2-13	3/4
36515	2	5/8-11	7/8

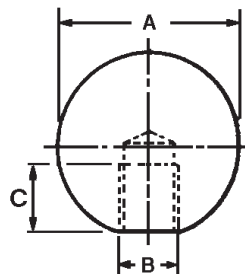


www.aboveboardelectronics.com
1-800-453-1692

Polished Steel Ball



- Material: Steel
- Finish: Polished

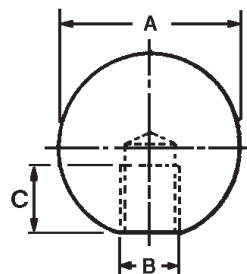


Part Number	A	B	C
36520	3/4	10-32	3/8
36521	1	10-32	3/8
36522	1	1/4-20	1/2
36523	1	5/16-18	1/2
36524	1	3/8-16	1/2
36525	1 3/8	1/4-20	5/8
36526	1 3/8	5/16-18	5/8
36527	1 3/8	3/8-16	5/8
36528	1 3/8	1/2-13	5/8
36529	1 7/8	3/8-16	3/4
36530	1 7/8	1/2-13	3/4
36531	1 7/8	5/8-11	3/4

Brass Ball



- Material: Brass
- Finish: Polished
- Water Resistant



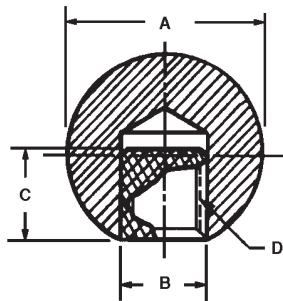
Part Number	A	B	C
36540	3/4	10-32	3/8
36541	1	10-32	3/8
36542	1	1/4-20	1/2
36543	1	5/16-18	1/2
36544	1	3/8-16	1/2
36545	1 3/8	1/4-20	5/8
36546	1 3/8	5/16-18	5/8
36547	1 3/8	3/8-16	5/8
36548	1 3/8	1/2-13	5/8
36549	1 7/8	3/8-16	3/4
36550	1 7/8	1/2-13	3/4
36551	1 7/8	5/8-11	3/4



Plastic Ball



- Material: Plastic, Black
- Insert: Brass
- Finish: Tumble, Sand, & Buff
- 3D Solid Models are available in multiple formats from www.jergensinc.com

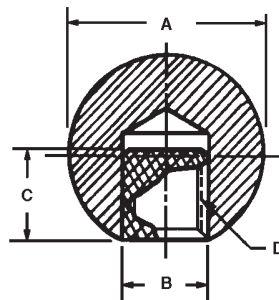


Black Part Number	A	B	C	Brass Insert D
31301	3/4	1/4	5/16	10-32
31316	3/4	1/4	5/16	1/4-20
31317	1	1/2	1/2	10-32
31302	1	1/2	7/16	1/4-20
31308	1	1/2	7/16	5/16-18
31303	1	1/2	1/2	3/8-16
31318	1 3/8	5/8	5/8	1/4-20
31309	1 3/8	5/8	7/16	5/16-18
31304	1 3/8	5/8	1/2	3/8-16
31310	1 3/8	5/8	1/2	3/8-24
31305	1 3/8	5/8	5/8	1/2-13
31311	1 3/8	5/8	5/8	1/2-20
31319	1 5/8	11/16	5/8	5/16-18
31314	1 5/8	11/16	1/2	3/8-16
31315	1 5/8	11/16	5/8	1/2-13
31320	1 7/8	3/4	7/16	5/16-18
31312	1 7/8	3/4	1/2	3/8-16
31306	1 7/8	3/4	5/8	1/2-13
31313	1 7/8	3/4	5/8	1/2-20
31307	1 7/8	3/4	3/4	5/8-18



www.aboveboardelectronics.com
1-800-453-1692

Soft Touch Ball



- Material: Soft Touch Plastic
- Finish: Black Matte
- Insert: Brass
- Also available in red, blue, yellow, and green (250 piece minimum)

Part Number	A	B	C	Insert D
31330	1 1/2	1 15/64	5/8	1/4-20 x 5/8
31331	1 1/2	1 15/64	5/8	5/16-18 x 5/8
31332	1 1/2	1 15/64	5/8	3/8-16 x 5/8
31333	1 1/2	1 15/64	5/8	1/2-13 x 5/8

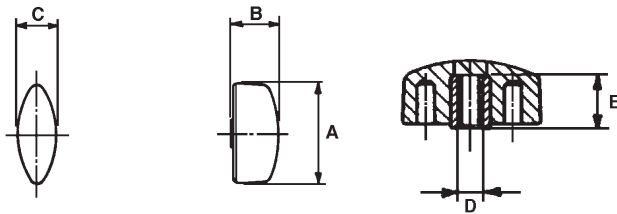
This Ball Knob has a soft touch material which enables the operator to get a better grip on the knob for many different types of operations.



Plastic Wing Knob ELESA Original Design Metric



- Material: Glass-Fibre Reinforced Black Technopolymer
- Finish: Black Matte
- Insert: Brass with tapped blind hole
- Resistant to Solvents, Oils, Greases, and other Chemical Agents



Part Number*	A	B	C	D	E
33776	26	13	11	M5	5
33777	32	15	13	M6	8
33778	40	17	15.5	M8	8

*Dimensions in millimeters

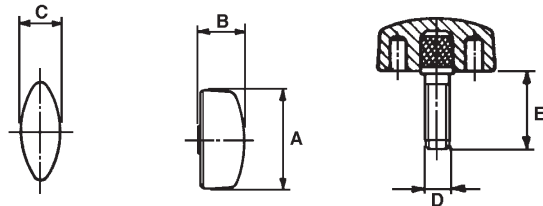


www.aboveboardelectronics.com
1-800-453-1692

Plastic Wing Knob With Stud ELESA Original Design



- Material: Glass-Fibre Reinforced Black Technopolymer
- Finish: Black Matte
- Zinc-Plated Steel Stud with chamfered flat end
- Resistant to Solvents, Oils, Greases, and other Chemical Agents



Inch

Part Number	A	B	C	D	E
33765	1.02	.51	.43	10-32	.500
33766	1.02	.51	.43	10-32	.750
33767	1.26	.59	.51	1/4-20	.500
33768	1.26	.59	.51	1/4-20	.750
33769	1.26	.59	.51	1/4-20	1.000
33770	1.57	.67	.61	5/16-18	.750
33771	1.57	.67	.61	5/16-18	1.000

Metric

Part Number*	A	B	C	D	E
33781	26	13	11	M5	16
33782	32	15	13	M6	16
33783	32	15	13	M8	16
33784	40	17	15.5	M8	25
33785	40	17	15.5	M10	30

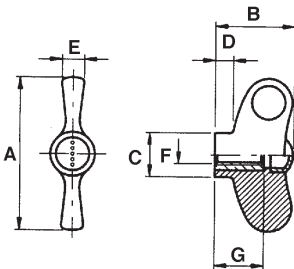
*Dimensions in millimeters



Wing Nut ELESA Original Design



- Material: Glass Fibre Reinforced Technopolymer
- Finish: Gray/Black Matte
- Insert: Brass With Tapped Hole
- Resistant to Solvents, Oils, Greases, and other Chemical Agents
- Optional cap colors available upon request (Black, Grey, Yellow, Blue & Red)



Part Number	A	B	C	D	E	F	G
34450	2.17	1.1	0.63	0.26	0.31	1/4-20	0.71
34451	2.17	1.1	0.63	0.26	0.31	5/16-18	0.71
34452	2.76	1.42	0.79	0.31	0.39	5/16-18	0.79
34453	2.76	1.42	0.79	0.31	0.39	3/8-16	0.79

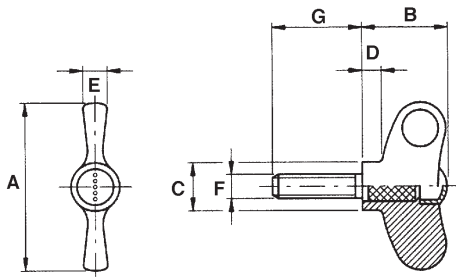
Wing Nut With Stud ELESA Original Design



www.aboveboardelectronics.com
1-800-453-1692



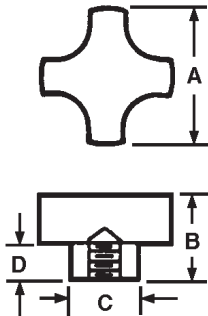
- Material: Glass Fibre Reinforced Technopolymer
- Finish: Gray/Black Matte
- Stud: Zinc Plated Threaded Steel With Chamfered End
- Resistant to Solvents, Oils, Greases, and other Chemical Agents
- Optional cap colors available upon request (Black, Grey, Yellow, Blue & Red)



Part Number	A	B	C	D	E	F	G
34455	2.17	1.10	.63	.26	.31	5/16-18	1.00
34456	2.17	1.10	.63	.26	.31	5/16-18	1.50
34457	2.76	1.42	.79	.31	.39	3/8-16	1.00
34458	2.76	1.42	.79	.31	.39	3/8-16	1.50



Plastic Four Prong Knob



- Material: Plastic
- Finish: Tumble
- Insert: Brass
- Excellent gripping action for turning and tightening uses: adjusting devices, tripods, lawn mower height adjustments, valve controls, etc.
- 3D Solid Models are available in multiple formats from www.jergensinc.com

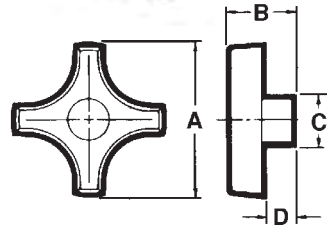
Part Number	Insert Thread and Depth	A	B	C	D
32201	1/4-20 x 7/16	1 1/4	7/8	5/8	3/8
32270	5/16-18 x 7/16	1 1/4	7/8	5/8	3/8
32202*	1/4-20 x 1/2	1 1/4	7/8	5/8	3/8
32271	1/4-20 x 7/16	1 3/4	1	13/16	1/2
32203	5/16-18 x 7/16	1 3/4	1	13/16	1/2
32204*	5/16-18 x 5/8	1 3/4	1	13/16	1/2
32272*	1/4-20 x 5/8	1 3/4	1	13/16	1/2
32205	3/8-16 x 1/2	1 3/4	1	13/16	1/2
32206*	3/8-16 x 5/8	1 3/4	1	13/16	1/2
32207	3/8-16 x 1/2	2 1/4	1 1/8	1	9/16
32273	5/16-18 x 1/2	2 1/4	1 1/8	1	9/16
32208*	3/8-16 x 5/8	2 1/4	1 1/8	1	9/16
32274*	5/16-18 x 5/8	2 1/4	1 1/8	1	9/16
32209	1/2-13 x 5/8	2 1/4	1 1/8	1	9/16
32210*	1/2-13 x 5/8	2 1/4	1 1/8	1	9/16

*Indicates knobs with through clearance hole.



www.aboveboardelectronics.com
1-800-453-1692

Plastic Four Prong Knob With Extended Prong



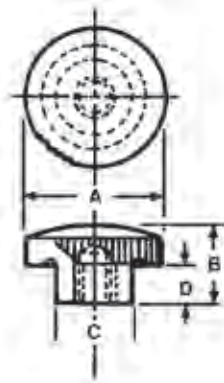
- Material: Polypropylene
- Finish: Tumble
- Insert: Brass

Part Number	A	B	C	D	Insert
32260	3	1 1/4	7/8	5/8	1/4-20
32261*	3	1 1/4	7/8	5/8	1/4-20
32262	3	1 1/4	7/8	5/8	5/16-18
32263*	3	1 1/4	7/8	5/8	5/16-18
32264	3	1 1/4	7/8	5/8	3/8-16
32265*	3	1 1/4	7/8	5/8	3/8-16

* Through Hole Style



Plastic Knurled Torque Knob



- Material: Plastic
- Finish: Tumble
- Knurled edge for non-slip grip
- Insert Threads: Brass
- 3D Solid Models are available in multiple formats from www.jergensinc.com

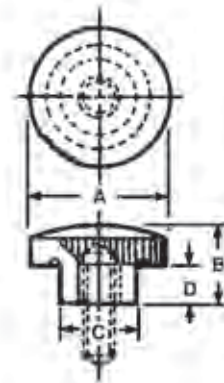
Part Number	Insert Thread and Depth	A	B	C	D
32324	8-32 x 5/16	3/4	9/16	5/8	—
32325	10-32 x 5/16	3/4	9/16	5/8	—
32328	1/4-20 x 3/8	3/4	9/16	5/8	—
32301	10-32 x 5/16	1	21/32	5/8	5/16
32303	1/4-20 x 3/8	1	21/32	5/8	5/16
32305	1/4-20 x 7/16	1 3/8	25/32	3/4	3/8
32308	5/16-18 x 7/16	1 3/8	25/32	3/4	3/8
32310	3/8-16 x 3/8	1 3/8	25/32	3/4	3/8
32311	5/16-18 x 7/16	1 7/8	1	1	1/2
32312	3/8-16 x 1/2	1 7/8	1	1	1/2
32315	Bushing*	1 7/8	1	1	1/2

*.377 I.D. x 1/2" O.D. x 1/2" long plain hole brass bushing, drilled and tapped for one #10-32 set screw.

Plastic Knurled Torque Knob With Stud



www.aboveboardelectronics.com
1-800-453-1692



- Material: Plastic
- Finish: Tumble
- Knurled edge for non-slip grip
- Stud Threads: Zinc Plated Steel
- 3D Solid Models are available in multiple formats from www.jergensinc.com

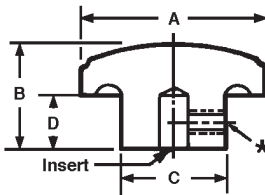
Part Number	Stud Thread and Length	A	B	C	D
32326	10-32 x 1/2	3/4	9/16	5/8	—
32327	10-32 x 1	3/4	9/16	5/8	—
32329	1/4-20 x 1/2	3/4	9/16	5/8	—
32330	1/4-20 x 1	3/4	9/16	5/8	—
32302	10-32 x 1	1	21/32	5/8	5/16
32304	1/4-20 x 1	1	21/32	5/8	5/16
32334	5/16-18 x 1	1	21/32	5/8	5/16
32306	1/4-20 x 1	1 3/8	25/32	3/4	3/8
32307	1/4-20 x 2	1 3/8	25/32	3/4	3/8
32331	5/16-18 x 1	1 3/8	25/32	3/4	3/8
32309	5/16-18 x 2	1 3/8	25/32	3/4	3/8
32332	3/8-16 x 1	1 3/8	25/32	3/4	3/8
32333	5/16-18 x 1	1 7/8	1	1	1/2
32313	3/8-16 x 1	1 7/8	1	1	1/2



Plastic Fluted Knob



- Material: Plastic
- Finish: Tumble
- Insert Threads: Brass
- Bushing: Brass
- Stud Threads: Zinc Plated Steel
- For heavy torque applications, clamping devices, adjusting rods
- 3D Solid Models are available in multiple formats from www.jergensinc.com



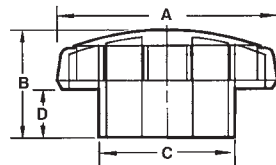
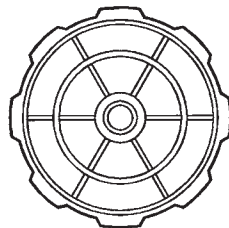
Part Number	Insert Thread and Depth	Stud Thread and Length	A	B	C	D
32320	1/4-20 x 7/16	—	1 3/8	27/32	27/32	25/64
32340	—	1/4-20 x 1	1 3/8	27/32	27/32	25/64
32321	5/16-18 x 7/16	—	1 3/8	27/32	27/32	25/64
32341	—	5/16-18 x 1	1 3/8	27/32	27/32	25/64
32342	—	3/8-16 x 1	1 3/8	27/32	27/32	25/64
32343	—	1/4-20 x 1	1 3/4	1 1/16	1 1/16	1/2
32322	5/16-18 x 7/16	—	1 3/4	1 1/16	1 1/16	1/2
32344	—	5/16-18 x 1	1 3/4	1 1/16	1 1/16	1/2
32323	3/8-16 x 1/2	—	1 3/4	1 1/16	1 1/16	1/2
32345	—	3/8-16 x 1	1 3/4	1 1/16	1 1/16	1/2
32346	1/4-20 x 7/16	—	1 3/4	1 1/16	1 1/16	1/2
32316	3/8-16 x 1/2	—	2 3/8	1 5/16	1 1/4	5/8
32347	5/16-18 x 7/16	—	2 3/8	1 5/16	1 1/4	5/8
32317	—	3/8-16 x 1	2 3/8	1 5/16	1 1/4	5/8
32318	—	3/8-16 x 2	2 3/8	1 5/16	1 1/4	5/8
32348	—	5/16-18 x 1	2 3/8	1 5/16	1 1/4	5/8
32319	Bushing*	—	2 3/8	1 5/16	1 1/4	5/8

*.377 I.D. x 1/2" O.D. x 1/2" deep plain brass bushing, drilled and tapped for one #10-32 set screw.



www.aboveboardelectronics.com
1-800-453-1692

Thermoplastic Fluted Knob

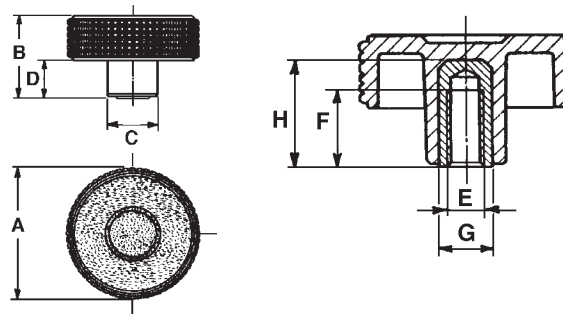


- Material: Thermoplastic
- Finish: Black Matte
- Insert: Brass
- Textured surface resists scratches, nicks, and fingerprints
- Also available in red, blue, yellow, and green
- A standard 1" stud is available, other lengths available upon request.

Part Number	A	B	C	D	Insert
32350	3 1/4	1 3/8	2	3/4	1/4-20 x 5/8
32351	3 1/4	1 3/8	2	3/4	5/16-18 x 3/4
32352	3 1/4	1 3/8	2	3/4	3/8-16 x 7/8



Plastic Knurled Knob ELESA Original Design



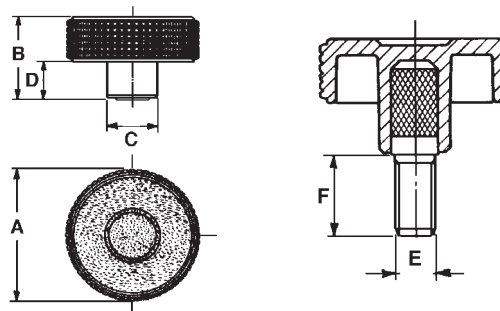
- Material: High Impact Strength Technopolymer
- Finish: Black Matte
- Brass Insert with tapped or plain blind hole
- Knobs with plain blind hole complete with set screw
- Resistant to Solvents, Oils, Greases, and other Chemical Agents

Part Number	A	B	C	D	E	Set Screw	F	G	H
33801	1.22	.87	.59	.35	1/4-20	—	.47	—	—
33802	1.57	.94	.67	.43	1/4	10-32	.55	.47	.67
33803	1.57	.94	.67	.43	1/4-20	—	.47	—	—
33804	1.57	.94	.67	.43	5/16-18	—	.51	—	—
33805	1.97	1.18	.79	.53	3/8	10-32	.79	.63	.98
33806	1.97	1.18	.79	.53	5/16-18	—	.70	—	—
33807	1.97	1.18	.79	.53	3/8-16	—	.67	—	—
33808	2.36	1.38	.91	.59	3/8	1/4-20	.79	.63	1.18
33809	2.36	1.38	.91	.59	3/8-16	—	.79	—	—
33810	2.36	1.38	.91	.59	1/2-13	—	.79	—	—



www.aboveboardelectronics.com
1-800-453-1692

Plastic Knurled Knob With Stud ELESA Original Design



- Material: High Impact Strength Technopolymer
- Finish: Black Matte
- Stud: Zinc Plated Steel with chamfered flat end
- Resistant to Solvents, Oils, Greases, and other Chemical Agents

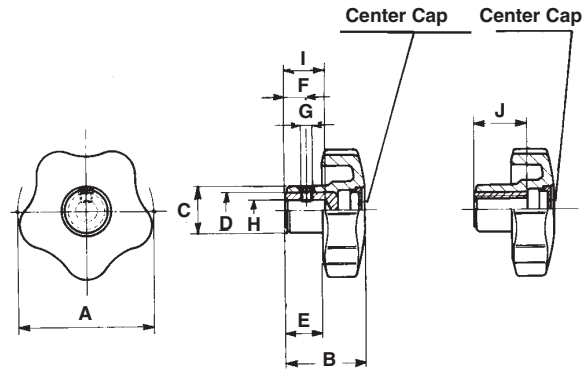
Part Number	A	B	C	D	E	F
33811	1.22	.87	.59	.35	1/4-20	.500
33812	1.22	.87	.59	.35	1/4-20	.750
33813	1.57	.94	.67	.43	1/4-20	.750
33814	1.57	.94	.67	.43	1/4-20	1.00
33815	1.57	.94	.67	.43	5/16-18	.750
33816	1.57	.94	.67	.43	5/16-18	1.00
33817	1.97	1.18	.79	.53	3/8-16	1.00
33818	1.97	1.18	.79	.53	3/8-16	1.25
33819	2.36	1.38	.91	.59	3/8-16	1.00
33820	2.36	1.38	.91	.59	3/8-16	1.25



Plastic Lobe Knob ELESA Original Design



- Material: High Impact Strength Technopolymer
- Finish: Black
- Insert: Brass with tapped or plain blind hole
- Knobs with plain blind hole
- Resistant to Solvents, Oils, Greases, and other Chemical Agents



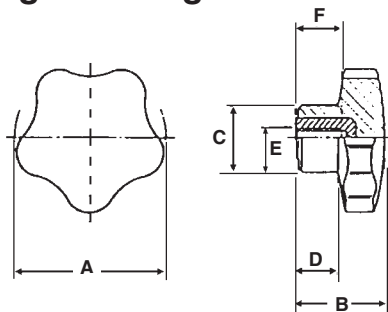
Part Number	A	B	C	D	E	F	Set Screw G	Mounting Holes (H)		I	J
								Plain	Tapped		
33840	0.98	0.75	0.51	0.28	0.31	—	—	—	10-32	—	0.39
33841	1.26	0.91	0.59	—	0.39	—	—	—	1/4-20	—	0.47
33842	1.26	0.91	0.59	0.47	0.39	0.2	10-32	1/4	—	—	0.47
33843	1.57	1.06	0.67	—	0.47	—	—	—	1/4-20	—	0.71
33844	1.57	1.06	0.67	—	0.47	—	—	—	5/16-18	—	0.71
33845	1.57	1.06	0.67	0.47	0.47	0.24	10-32	1/4	—	0.55	—
33846	1.57	1.06	0.67	0.55	0.47	0.24	10-32	5/16	—	0.59	—
33847	1.97	1.26	0.75	—	0.55	—	—	—	5/16-18	—	0.79
33848	1.97	1.26	0.75	—	0.55	—	—	—	3/8-16	—	0.79
33849	1.97	1.26	0.75	0.55	0.55	0.28	10-32	5/16	—	0.63	—
33850	1.97	1.26	0.75	0.63	0.55	0.28	10-32	3/8	—	0.63	—
33851	2.48	1.46	0.87	—	0.63	—	—	—	3/8-16	—	1.02
33852	2.48	1.46	0.87	—	0.63	—	—	—	1/2-13	—	1.02
33853*	2.48	1.46	0.87	0.67	0.63	0.31	1/4-20	3/8	—	0.79	—
33854*	2.48	1.46	0.87	0.75	0.63	0.31	1/4-20	1/2	—	0.79	—
33855	2.91	1.71	1.02	0.75	0.87	0.31	1/4-20	1/2	—	0.79	—
33856	2.91	1.71	1.02	—	0.87	—	—	—	1/2-13	—	1.02

*Steel Insert

Plastic Lobe Knob Metric Elesa Original Design



www.aboveboardelectronics.com
1-800-453-1692



- Material: Duroplast
- Finish: Black Matte
- Insert: Stainless Steel
- Resistant to Solvents, Oils, Greases, and other Chemical Agents

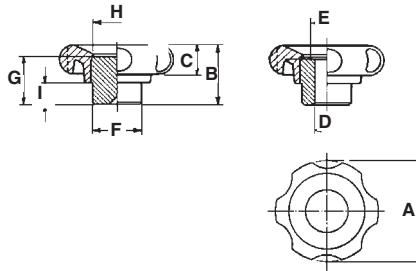
Part Number*	A	B	C	D	E	F
34121	32	23	19	11	M6	12
34122	40	27	21	12	M8	13
34123	50	33	25	14	M10	17
34124	60	37	27	17	M12	20

*Dimensions in millimeters



Plastic Lobe Knob

ELESA Original Design



- Material: Black Duroplast
- Finish: Black Bright
- Metal Hub
- Resistant to Solvents, Oils, Greases, and other Chemical Agents

Part Number	A	B	C	D	E	F	G	H	I
33751	2.01	1.14	.51	Blank	—	.79	.83	.71	.39
33752	2.01	1.14	.51	5/16	—	.79	.83	.71	.39
33753	2.01	1.14	.51	5/16-18	—	.79	.83	.71	.39
33755	2.72	1.30	.71	3/8	.71	1.18	.98	1.10	.47
33756	2.72	1.30	.71	3/8-16	.71	1.18	.98	1.10	.47
33758	3.23	1.57	.75	1/2	.71	1.38	1.18	1.34	.59
33759	3.23	1.57	.75	1/2-13	.71	1.38	1.18	1.34	.59
33760	3.90	1.73	.79	Blank	—	1.42	1.34	1.34	.55
33761	3.90	1.73	.79	1/2	.84	1.42	1.34	1.34	.55
33762	3.90	1.73	.79	5/8-11	.84	1.42	1.34	1.34	.55
33763	5.07	1.85	.87	Blank	—	1.57	1.34	1.42	.51
33764	5.07	1.85	.87	1/2	—	1.57	1.34	1.46	.51



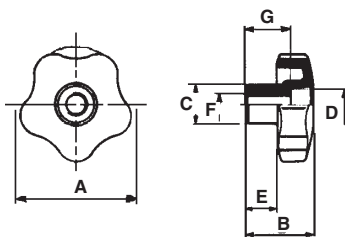
www.aboveboardelectronics.com
1-800-453-1692

Plastic Lobe Knob

ELESA Original Design



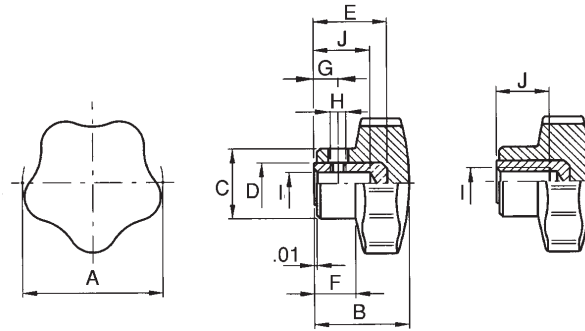
- Material: High Impact Strength Technopolymer
- Finish: Black Matte
- Insert: Brass with tapped through hole
- Resistant to Solvents, Oils, Greases, and other Chemical Agents



Part Number	A	B	C	D	E	F	G
33831	1.26	0.91	0.59	0.39	0.39	1/4-20	0.47
33832	1.57	1.06	0.67	0.47	0.47	5/16-18	0.71
33833	1.97	1.26	0.75	0.59	0.55	3/8-16	0.79
33834	2.48	1.46	0.87	0.75	0.63	3/8-16	1.02
33835	2.48	1.46	0.87	0.75	0.63	1/2-13	1.02
33836	2.91	1.17	1.02	0.67	0.87	1/2-13	1.02



Plastic Lobe Knob ELESA Original Design



- Material:
Phenolic based
Duroplast
- Insert:
Black oxide steel
or Brass

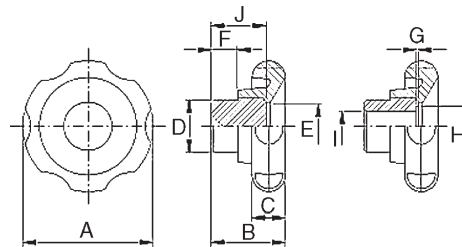
Part Number	A	B	C	D	E	F	Set Screw		Mounting Hole (I)		J	Wt. lbs.
							G	H	Plain	Tapped		
33884*	1.26	0.91	0.75	—	—	0.43	—	—	—	1/4-20	0.39	0.04
33885*	1.57	1.06	0.83	—	—	0.47	—	—	—	1/4-20	0.47	0.07
33886*	1.57	1.06	0.83	—	—	0.47	—	—	—	5/16-18	0.51	0.06
33887*	1.57	1.06	0.83	0.47	0.67	0.47	0.28	10-32	0.250	—	0.55	0.07
33888*	1.57	1.06	0.83	0.63	0.79	0.47	0.28	10-32	0.312	—	0.63	0.06
33889*	1.97	1.3	0.98	—	—	0.55	—	—	—	5/16-18	0.71	0.11
33890*	1.97	1.3	0.98	—	—	0.55	—	—	—	3/8-16	0.67	0.10
33891*	1.97	1.3	0.98	0.59	0.99	0.55	0.31	10-32	0.312	—	0.79	0.14
33892*	1.97	1.3	0.98	0.63	0.99	0.55	0.31	10-32	0.375	—	0.79	0.13
33893	2.36	1.46	1.06	—	—	0.67	—	—	—	3/8-16	0.67	0.16
33894	2.36	1.46	1.06	—	—	0.67	—	—	—	1/2-13	0.79	0.17
33895	2.36	1.46	1.06	0.67	1.02	0.67	0.35	1/4-20	0.375	—	0.79	0.21
33896	2.36	1.46	1.06	0.79	1.18	0.67	0.35	1/4-20	0.500	—	0.99	0.19
33897	2.75	1.73	1.18	—	—	0.79	—	—	—	1/2-13	0.79	0.26
33898	2.75	1.73	1.18	0.79	1.18	0.79	0.43	1/4-20	0.500	—	0.99	0.27
33899	3.34	2.16	1.37	—	—	1.18	—	—	—	5/8-11	0.86	0.38

*denotes brass insert.



www.aboveboardelectronics.com
1-800-453-1692

Plastic Lobe Knob ELESA Original Design



- Materials: Glass reinforced polyamide based technopolymer
- Finish: Black glossy
- Black-oxide steel hub
- Lighter Design
- With plain or tapped hole

1. Not drilled
2. Plain through hole
3. Tapped through hole

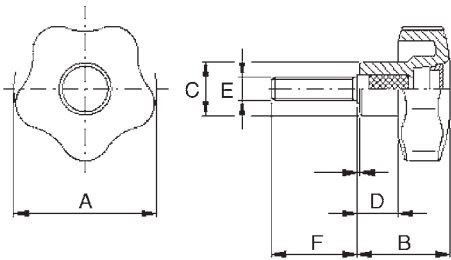
Part Number	A	B	C	D	E	F	G	H	Mounting Holes (I)		J	Wt. lbs.
									Plain	Tapped		
34000 ¹	1.97	1.14	0.51	0.79	0.71	0.39	—	—	—	—	0.83	0.16
34001 ²	1.97	1.14	0.51	0.79	0.71	0.39	—	—	0.312	—	0.83	0.14
34002 ²	1.97	1.14	0.51	0.79	0.71	0.39	—	—	—	5/16-18	0.83	0.15
34003 ¹	2.40	1.18	0.53	0.98	0.94	0.43	—	—	—	—	0.91	0.28
34004 ¹	2.76	1.30	0.71	1.18	1.14	0.47	—	—	—	—	0.98	0.42
34005 ²	2.76	1.30	0.71	1.18	1.14	0.47	0.03	0.71	0.375	—	0.98	0.37
34006 ³	2.76	1.30	0.71	1.18	1.14	0.47	0.03	0.71	—	3/8-16	0.98	0.39
34007 ¹	3.15	1.57	0.75	1.38	1.34	0.59	—	—	—	—	1.18	0.66
34008 ²	3.15	1.57	0.75	1.38	1.34	0.59	0.03	0.71	0.500	—	1.18	0.61
34009 ³	3.15	1.57	0.75	1.38	1.34	0.59	0.03	0.71	—	1/2-13	1.18	0.62



Plastic Lobe Knob With Stud ELESA Original Design



- Material: High Impact Strength Technopolymer
- Finish: Black Matte
- Stud: Zinc Plated Steel with Chamfered Flat End
- Resistant to Solvents, Oils, Greases, and other Chemical Agents

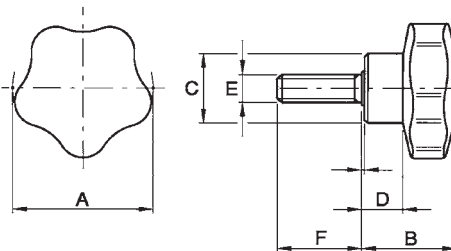


Part Number	A	B	C	D	E	F
33859	0.98	0.75	0.51	0.31	10-32	0.500
33860	0.98	0.75	0.51	0.31	10-32	0.750
33861	1.26	0.91	0.59	0.39	1/4-20	0.500
33862	1.26	0.91	0.59	0.39	1/4-20	0.750
33863	1.26	0.91	0.59	0.39	1/4-20	1.000
33864	1.57	1.06	0.67	0.47	1/4-20	0.500
33865	1.57	1.06	0.67	0.47	1/4-20	1.000
33866	1.57	1.06	0.67	0.47	5/16-18	0.750
33867	1.57	1.06	0.67	0.47	5/16-18	1.000
33868	1.97	1.26	0.75	0.55	5/16-18	1.000
33869	1.97	1.26	0.75	0.55	5/16-18	1.500
33870	1.97	1.26	0.75	0.55	3/8-16	1.000
33871	1.97	1.26	0.75	0.55	3/8-16	1.500
33872	2.48	1.46	0.87	0.63	3/8-16	1.250
33873	2.48	1.46	0.87	0.63	3/8-16	2.000
33874	2.48	1.46	0.87	0.63	1/2-13	1.500
33877	2.91	1.71	1.02	0.87	1/2-13	1.250
33878	2.91	1.71	1.02	0.87	1/2-13	2.000

Plastic Lobe Knob With Stainless Steel Stud ELESA Original Design



- Material: Duroplast
- Finish: Black Matte
- Stud: Stainless Steel
- Resistant to Solvents, Oils, Greases, and other Chemical Agents



www.aboveboardelectronics.com
1-800-453-1692

Part Number	A	B	C	D	E	F
34181	1.26	.91	.75	.43	1/4-20	.500
34182	1.26	.91	.75	.43	1/4-20	.750
34183	1.26	.91	.75	.43	1/4-20	1.00
34184	1.57	1.06	.83	.47	5/16-18	.750
34185	1.57	1.06	.83	.47	5/16-18	1.00
34186	1.57	1.06	.83	.47	5/16-18	1.25
34187	1.97	1.30	.98	.55	3/8-16	1.00
34188	1.97	1.30	.98	.55	3/8-16	1.25
34189	1.97	1.30	.98	.55	3/8-16	1.50
34190	1.97	1.30	.98	.55	3/8-16	2.00

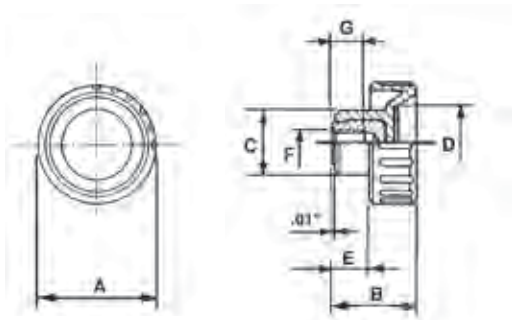
Metric

Part Number*	A	B	C	D	E	F
34131	32	23	19	11	M6	16
34132	40	27	21	12	M8	20
34133	40	27	21	12	M8	30
34134	50	33	25	14	M10	20
34135	50	33	25	14	M10	40
34136	60	37	27	17	M12	30

*Dimensions in millimeters



Plastic Fluted Grip Knob ELESA Original Design



- Material: High Strength Technopolymer
- Finish: Black Matte
- Insert: Brass with tapped blind hole
- Resistant to Solvents, Oils, Greases, and other Chemical Agents

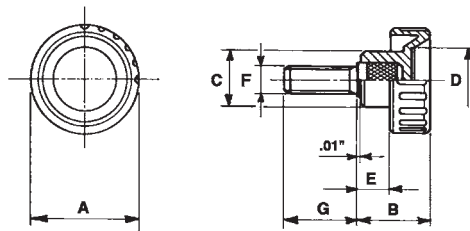
Part Number	A	B	C	D	E	F	G
34200	.79	.63	.47	.43	.24	8-32	.24
34201	.79	.63	.47	.43	.24	10-32	.24
34202	.98	.75	.63	.59	.31	10-32	.39
34203	.98	.75	.63	.59	.31	1/4-20	.31
34204	1.26	.87	.67	.83	.35	1/4-20	.39
34205	1.26	.87	.67	.83	.35	5/16-18	.39

Metric

Part Number*	A	B	C	D	E	F	G
34260	16	13	11	9	5	M4	6
34261	20	16	12	11	6	M5	6
34262	25	19	16	15	8	M6	8
34263	32	22	17	21	9	M8	10

*Dimensions in millimeters

Plastic Fluted Grip Knob With Stud ELESA Original Design



- Material: High Impact Strength Technopolymer
- Finish: Black Matte
- Zinc-Plated Steel Stud With Chamfered Flat End
- Resistant to Solvents, Oils, Greases, and other Chemical Agents



www.aboveboardelectronics.com
1-800-453-1692

Part Number	A	B	C	D	E	F	G
34210	0.63	0.51	0.43	0.35	0.2	8-32	0.375
34211	0.63	0.51	0.43	0.35	0.2	8-32	0.500
34212	0.79	0.63	0.47	0.43	0.24	8-32	0.500
34213	0.79	0.63	0.47	0.43	0.24	8-32	0.750
34214	0.79	0.63	0.47	0.43	0.24	10-32	0.500
34215	0.79	0.63	0.47	0.43	0.24	10-32	0.750
34216	0.98	0.75	0.63	0.59	0.31	1/4-20	0.500
34217	0.98	0.75	0.63	0.59	0.31	1/4-20	0.750
34218	0.98	0.75	0.63	0.59	0.31	1/4-20	1.000
34219	1.26	0.87	0.67	0.83	0.35	5/16-18	0.750
34220	1.26	0.87	0.67	0.83	0.35	5/16-18	1.000
34221	1.57	1.06	0.75	0.98	0.51	3/8-16	1.000
34222	1.97	1.12	0.87	1.22	0.53	3/8-16	1.000

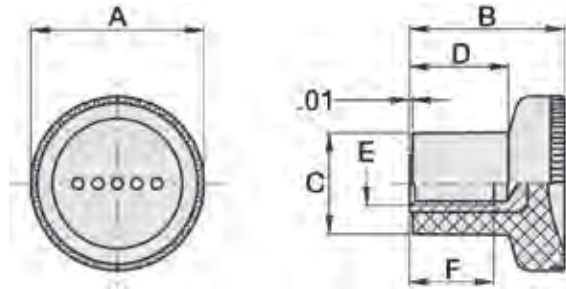
Metric

Part Number*	A	B	C	D	E	F	G
34250	16	13	11	9	5	M4	10
34251	16	13	11	9	5	M5	10
34252	20	16	12	11	6	M5	16
34253	20	16	12	11	6	M6	16
34254	25	19	16	15	8	M6	16
34255	25	19	16	15	8	M8	16
34256	32	22	17	21	9	M8	16
34257	32	22	17	21	9	M10	20

*Dimensions in millimeters



Knurled Knob ELESA Original Design



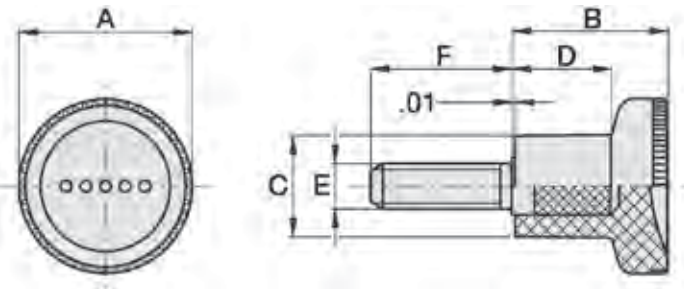
- Material: High Strength Technopolymer
- Finish: Gray/Black Matte
- Insert: Brass With Tapped Blind Hole
- Resistant to Solvents, Oils, Greases, and other Chemical Agents
- Concave surface makes gripping easier.

Part Number	A	B	C	D	E	F
34490	0.83	0.71	0.49	0.41	10-32	0.39
34491	0.98	0.89	0.57	0.55	1/4-20	0.47
34492	1.22	1.06	0.73	0.67	5/16-18	0.63

Knurled Knob With Stud ELESA Original Design



www.aboveboardelectronics.com
1-800-453-1692

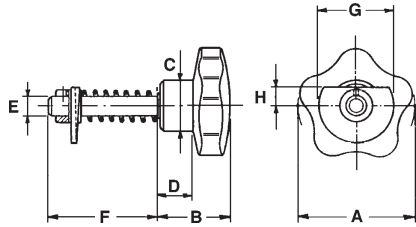


- Material: High Strength Technopolymer
- Finish: Gray/Black Matte
- Stud: Zinc Plated Threaded Steel With Chamfered End
- Resistant to Solvents, Oils, Greases, and other Chemical Agents
- Concave surface makes gripping easier.

Part Number	A	B	C	D	E	F
34493	.83	.71	.49	.41	10-32	.750
34494	.98	.89	.57	.55	1/4-20	.750
34495	1.22	1.06	.73	.67	5/16-18	.750



Plastic Latch Type Lobe Knob ELESA Original Design



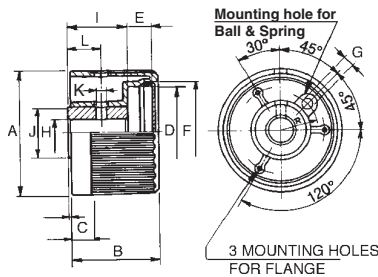
- Material: Black Duroplast
- Finish: Black Bright
- Stud: Zinc Plated Steel
- Resistant to Solvents, Oils, Greases, and other Chemical Agents
- Available in Stainless Steel with left or right swing style

Part Number	A	B	C	D	E	F	G	H	Swing Style
33881	1.97	1.30	.98	.55	.47	1.81	1.77	.47	Left
33882	2.36	1.46	1.06	.67	.47	1.81	1.77	.47	Right



www.aboveboardelectronics.com
1-800-453-1692

Plastic Knurled Grip Knob ELESA Original Design

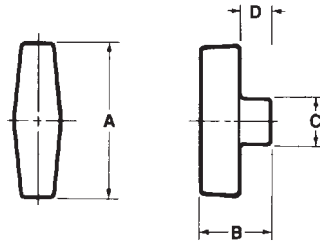


- Material: Glass-Fibre Reinforced Technopolymer
- Finish: Black Bright
- Black Oxide Steel Insert
- Resistant to Solvents, Oils, Greases, and other Chemical Agents

Part Number	A	B	C	D	E	F	G	H	I	J	K	L
33741	1.89	1.38	.31	1.26	.39	1.34	.13	.375	.87	.87	.16	.55
33742	2.05	1.54	.35	1.46	.51	1.54	.17	.500	.87	.87	.16	.55
33743	2.28	1.61	.39	1.65	.43	1.73	.20	.500	1.06	1.02	.20	.63
33744	2.48	1.73	.43	1.89	.39	1.97	.24	.500	1.18	1.02	.20	.63

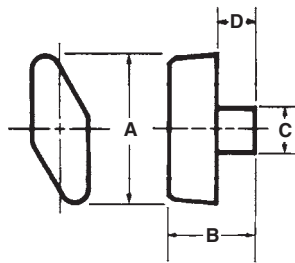


Plastic T-Handle



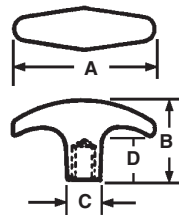
- Material: Polypropylene
- Finish: Tumble
- Insert: Metal
- Also Available With Stud
- Ideal For High Torque Applications
- Textured Grip

Part Number	A	B	C	D	Insert
32126	2 1/2	1 1/4	3/4	5/8	5/16-18 x 3/4



www.aboveboardelectronics.com
1-800-453-1692

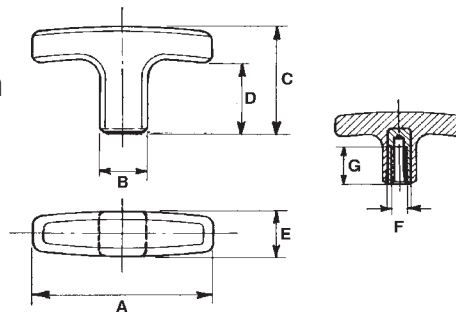
Part Number	A	B	C	D	Insert
32121	2	1 1/8	5/8	1/2	5/16-18 x 5/8



- Material: Plastic
- Finish: Tumble
- For heavy-duty clamping and push/pull applications; latch release with pull cables or rods; also for cabinet doors, access panel latches, etc.

Part Number	Insert Thread and Depth	A	B	C	D
32115	5/16-18 x 7/16	2 1/4	1 1/4	9/16	11/16
32116	1/4-20 x 7/16	2 1/4	1 1/4	9/16	11/16

Plastic T-Handle ELESA Original Design



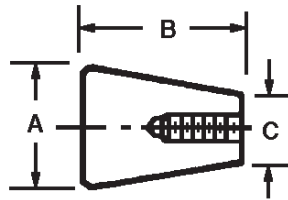
- Material: Glass-Fibre Reinforced Technopolymer
- Finish: Black Matte
- Insert: Brass With Tapped Blind Hole
- Resistant to Solvents, Oils, Greases, and other Chemical Agents

Part Number	A	B	C	D	E	F	G	Ft.* lbs.
33711	1.57	0.51	1.18	0.79	0.51	1/4-20	0.63	560
33712	2.17	0.55	1.3	0.87	0.55	1/4-20	0.71	739
33713	2.64	0.63	1.46	0.98	0.63	5/16-18	0.79	1,008
33714	3.15	0.79	1.61	1.02	0.79	3/8-16	0.79	1,568
33715	3.66	0.83	1.77	1.12	0.83	1/2-13	0.79	1,795

*Max. Tensile strength / Pull Force



Plastic Tapered Knob



- Tapered shanks, enlarged heads provide good finger clearance and excellent grasp for pulling
- Popular Applications: push-pull rods, palm switch knobs, palm grasp knobs (for portable power tools), push buttons, drawer pulls, etc.

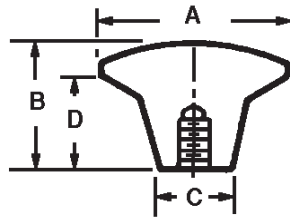
- Material: Plastic
- Finish: Tumble
- Insert: Brass
- 3D Solid Models are available in multiple formats from www.jergensinc.com

Part Number	A	B	C	Insert Thread and Depth
32213	1	1 1/4	1/2	1/4-20 x 7/16
32214	1	1 1/4	1/2	5/16-18 x 7/16

Plastic Lift Knob

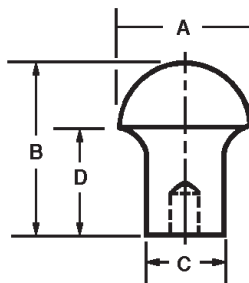


www.aboveboardelectronics.com
1-800-453-1692



- Material: Plastic
- Finish: Tumble
- Insert: Brass
- 3D Solid Models are available in multiple formats from www.jergensinc.com

Part Number	A	B	C	D	Insert Thread and Depth
32217	1 3/8	7/8	5/8	5/8	1/4-20 x 7/16



Part Number	A	B	C	D	Insert Thread and Depth
32215	1	1 3/16	9/16	11/16	10-32 x 5/16
32216	1	1 3/16	9/16	11/16	1/4-20 x 7/16

Jergens offers 3D models

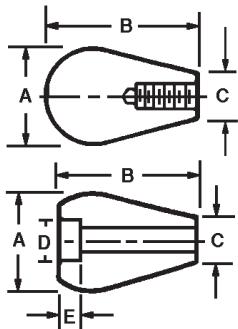
for all handles, knobs and handwheels
at www.jergensinc.com



Plastic Oval Tapered Knob



- Material: Polypropylene
- Finish: Tumble
- For shift levers, control levers, push/pull rods on machine tools, lawn and garden equipment, jigs and fixtures, and for finger tip levers or lid knobs.
- Available with either brass insert, tapped plastic thread, or untapped through hole.
- Sand and Buff Finish available upon request
- 3D Solid Models are available in multiple formats from www.jergensinc.com



Part Number	A	B	C	D	E	Hole Diameter
32211*	1 3/16	1 7/8	9/16	—	—	5/16-18 x 3/4
32218**	1 3/16	1 7/8	9/16	—	—	1/4-20 x 7/16 .380/.385
32212	1 3/16	1 3/4	9/16	9/16	5/16	through hole (untapped) .313/.318
32219	1 3/16	1 3/4	9/16	9/16	5/16	through hole (untapped)

*Tapped plastic threads
**Brass insert



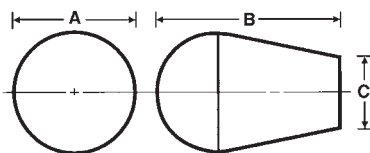
www.aboveboardelectronics.com
1-800-453-1692

Soft Touch Oval Tapered Knob



- Material: Soft Touch Plastic
- Finish: "Soft Feel" Black Matte
- Insert: Brass
- Cushioned vinyl covering helps to dampen vibrations
- Also available in red, blue, yellow, and green (250 piece minimum)

This Oval Tapered Knob has the original soft touch material that helps in gripping. It is designed with an enlarged head and tapered shaft for maximum push, pull, and turning.



Part Number	A	B	C	Hole Diameter
32150	1 5/8	2 1/2	7/8	5/16-18 x 5/8
32151	1 5/8	2 1/2	7/8	5/16
32152	1 5/8	2 1/2	7/8	3/8-16 x 5/8
32153	1 5/8	2 1/2	7/8	3/8

WARNING - Cancer and Reproductive Harm - www.P65Warnings.ca.gov

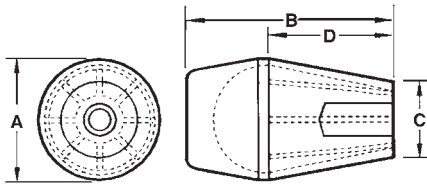


Soft Touch Tapered Knob



- Material: Soft Touch Plastic
- Finish: Black Matte
- Insert: Brass
- Cushioned vinyl covering helps to dampen vibrations
- Also available in red, blue, yellow, and green (250 piece minimum)

This Oval Tapered Knob has the original soft touch material that helps in gripping. It is designed with an enlarged head and tapered shaft for maximum push, pull, and turning.



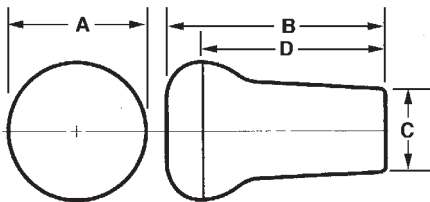
Part Number	A	B	C	D	Hole Diameter
32160	1 1/2	2 1/2	15/16	1 1/2	1/4-20 x 5/8
32161	1 1/2	2 1/2	15/16	1 1/2	5/16-18 x 3/4
32162	1 1/2	2 1/2	15/16	1 1/2	3/8-16 x 5/8

Soft Touch Tapered Knob



www.aboveboardelectronics.com
1-800-453-1692

- Material: Soft Touch Plastic
- Finish: Black Matte
- Insert: Brass
- Cushioned vinyl covering helps to dampen vibrations
- Also available in red, blue, yellow, and green (250 piece minimum)
- A standard 1" stud is available, other lengths available upon request.



Part Number	A	B	C	D	Hole Diameter
32180	1 5/8	2 1/2	7/8	2 1/8	1/4-20 x 5/8
32181*	1 5/8	2 1/2	7/8	2 1/8	1/4 x 1
32182	1 5/8	2 1/2	7/8	2 1/8	5/16-18 x 5/8
32183*	1 5/8	2 1/2	7/8	2 1/8	5/16 x 1
32184*	1 5/8	2 1/2	7/8	2 1/8	3/8 x 1
32170	1 3/8	2 1/8	13/16	1 3/4	5/16-18 x 5/8
32171	1 3/8	2 1/8	13/16	1 3/4	3/8-16 x 5/8
32172*	1 3/8	2 1/8	13/16	1 3/4	3/8 x 1
32173	1 3/8	2 1/8	13/16	1 3/4	1/2-13 x 5/8
32174*	1 3/8	2 1/8	13/16	1 3/4	1/2 x 1

*Cored Hole

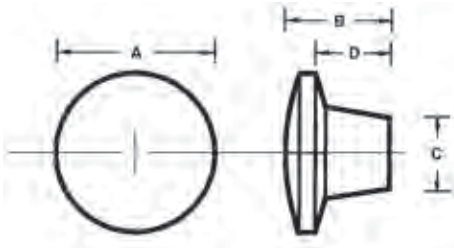
WARNING - Cancer and Reproductive Harm - www.P65Warnings.ca.gov



Plastic Push/Pull Knob

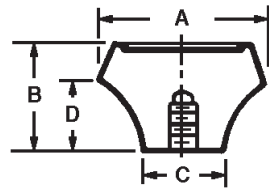


- Material: Thermoplastic
- Finish: Matte
- Insert: Brass
- Also available with stud



Part Number	A	B	C	D	Insert
32225	1 3/8	7/8	5/8	5/8	8-32
32226	1 3/8	7/8	5/8	5/8	10-32
32227	1 3/8	7/8	5/8	5/8	1/4-20
32228	1 3/8	7/8	5/8	5/8	5/16-18
32229	1 3/8	7/8	5/8	5/8	3/8-16

Plastic Push/Pull Knob



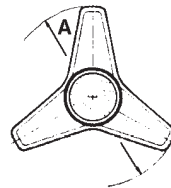
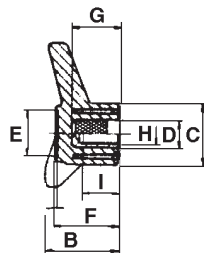
- Material: Plastic
- Finish: Tumbled
- Insert: Brass
- 3D Solid Models are available in multiple formats from www.jergensinc.com

Part Number	A	B	C	D	Insert Thread and Depth
32220	1	11/16	1/2	7/16	8-32 x 5/16
32221	1	11/16	1/2	7/16	10-32 x 5/16
32222	1	11/16	1/2	7/16	1/4-20 x 7/16
32223	1	15/16	9/16	11/16	10-32 x 7/16
32224	1	15/16	9/16	11/16	1/4-20 x 7/16



www.aboveboardelectronics.com
1-800-453-1692

Plastic Three-Spoked Knob ELESA Original Design



- Material: Glass-Fibre Reinforced Technopolymer
- Finish: Black Matte
- Brass Insert with tapped blind hole
- Insert: Brass or Steel with plain blind hole
- Resistant to Solvents, Oils, Greases, and other Chemical Agents

Part Number	A	B	C	D	E	F	G	H	I	Insert
33731	2.48	1.10	1.02	—	.70	.98	—	5/16-18	.62	Brass
33732	2.48	1.10	1.02	.59	.70	.98	.87	5/16	.62	Steel
33733	3.14	1.37	1.25	—	.82	1.18	—	3/8-16	.67	Brass
33734	3.14	1.37	1.25	.59	.82	1.18	.98	3/8	.79	Steel
33735	3.93	1.65	1.41	—	.98	1.41	—	1/2-13	.79	Brass
33736	3.93	1.65	1.41	.94	.98	1.41	1.29	1/2	.98	Steel

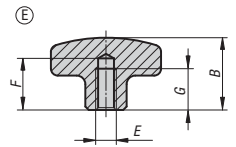
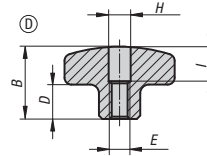
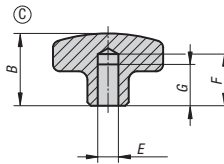
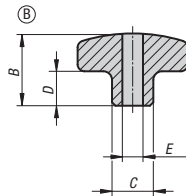
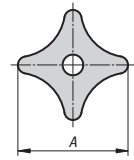


Stainless Steel Palm Grips

Inch



- Material: Stainless Steel
- Finish: ground and polished



Style	Part No.	A	B	C	D	E	F	G	H	I
B	40360	1.26	0.79	0.47	0.39	0.250	-	-	-	-
B	40361	1.57	0.98	0.55	0.51	0.312	-	-	-	-
B	40362	1.97	1.26	0.71	0.67	0.375	-	-	-	-
B	40363	2.48	1.57	0.79	0.93	0.500	-	-	-	-
C	40364	1.26	0.83	0.47	0.39	0.250	0.59	0.47	-	-
C	40365	1.57	1.02	0.55	0.51	0.312	0.71	0.59	-	-
C	40366	1.97	1.34	0.71	0.67	0.375	0.83	0.71	-	-
C	40367	2.48	1.65	0.79	0.83	0.500	0.98	0.87	-	-
D	40368	1.26	0.79	0.47	0.39	1/4-20	-	-	0.25	0.39
D	40369	1.57	0.98	0.55	0.51	5/16-18	-	-	0.33	0.47
D	40370	1.97	1.26	0.71	0.67	3/8-16	-	-	0.41	0.63
D	40371	2.44	1.57	0.79	0.83	1/2-13	-	-	0.51	0.79
E	40372	1.26	0.83	0.47	0.39	1/4-20	0.59	0.47	-	-
E	40373	1.57	1.02	0.55	0.51	5/16-18	0.71	0.59	-	-
E	40374	1.97	1.34	0.71	0.67	3/8-16	0.83	0.71	-	-
E	40375	2.44	1.65	0.79	0.83	1/2-13	0.98	0.87	-	-



www.aboveboardelectronics.com
1-800-453-1692

Stainless Steel Palm Grips

Metric

Style	Part No.	A	B	C	D	E	F	G	H	I
B	40376	32	20	12	10	6	-	-	-	-
B	40377	40	25	14	13	8	-	-	-	-
B	40378	50	32	18	17	10	-	-	-	-
B	40379	63	40	20	21	12	-	-	-	-
C	40380	32	21	12	10	6	15	12	-	-
C	40381	40	26	14	13	8	18	15	-	-
C	40382	50	34	18	17	10	21	18	-	-
C	40383	63	42	20	21	12	25	22	-	-
D	40384	32	20	12	10	M6	-	-	6.4	10
D	40385	40	25	14	13	M8	-	-	8.4	12
D	40386	50	32	18	17	M10	-	-	10.5	16
D	40387	63	40	20	21	M12	-	-	13	20
E	40388	32	21	12	10	M6	15	12	-	-
E	40389	40	26	14	13	M8	18	15	-	-
E	40390	50	34	18	17	M10	21	18	-	-
E	40391	63	42	20	21	M12	25	22	-	-

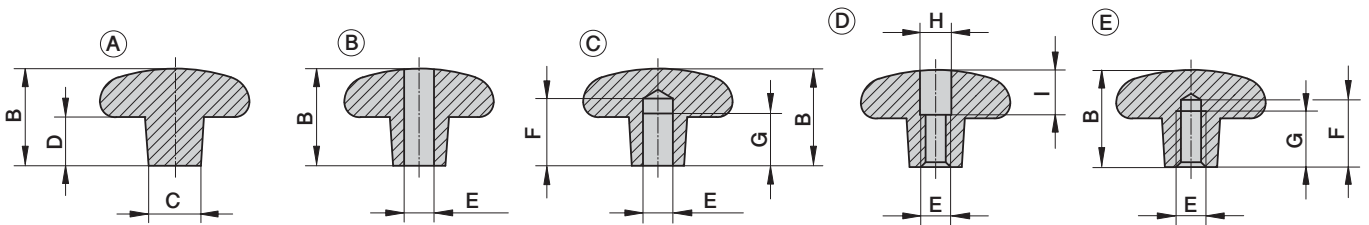
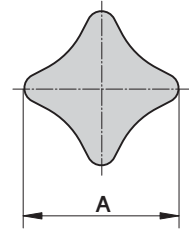


Aluminum Palm Grips

Inch



- Material: Aluminum
- Finish: natural finish, tumbled
- Tumbled finish is shiny and slightly dimpled



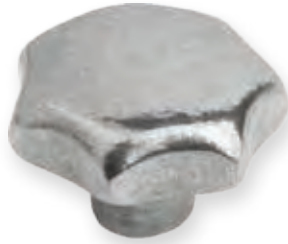
Style	Part No. Tumbled	Part No. Polished	A	B	C	D	E	F	G	H	I
A	40309	-	40	26	14	14	-	-	-	-	-
A	40310	-	50	34	18	20	-	-	-	-	-
A	40311	-	63	42	25	25	-	-	-	-	-
A	40312	-	80	52	25	30	-	-	-	-	-
B	40313	40329	40	25	14	14	8	-	-	-	-
B	40314	40330	50	32	18	20	10	-	-	-	-
B	40315	40331	63	40	25	25	12	-	-	-	-
B	40316	40332	80	50	25	30	16	-	-	-	-
C	40317	40333	40	26	14	14	8	18	15	-	-
C	40318	40334	50	34	18	20	10	21	18	-	-
C	40319	40335	63	42	25	25	12	25	22	-	-
C	40320	40336	80	52	25	30	16	32	28	-	-
D	40321	40337	40	25	14	14	M8	-	-	8.4	12
D	40322	40338	50	32	18	20	M10	-	-	10.5	16
D	40323	40339	63	40	25	25	M12	-	-	13	20
D	40324	40340	80	50	25	30	M16	-	-	17	30
E	40325	40341	40	26	14	14	M8	18	15	-	-
E	40326	40342	50	34	18	18	M10	21	18	-	-
E	40327	40343	63	42	25	25	M12	25	22	-	-
E	40328	40344	80	52	25	25	M16	32	28	-	-



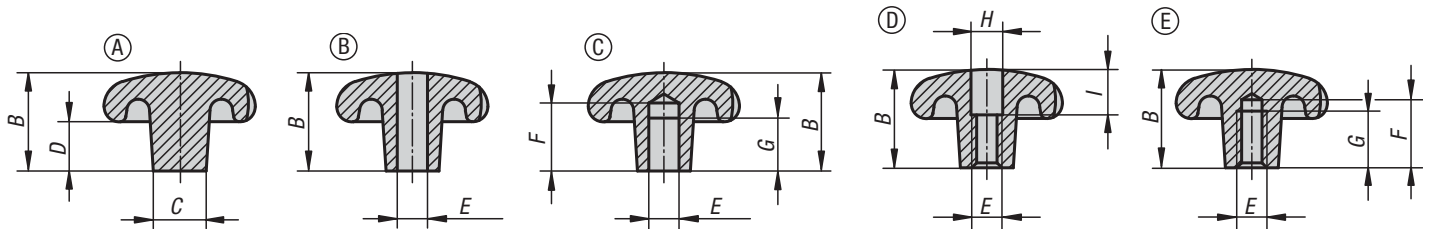
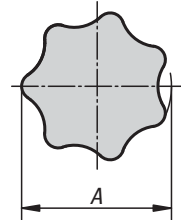
www.aboveboardelectronics.com
1-800-453-1692



Aluminum Star Nuts Metric



- Material: Aluminum
- Finish: natural finish, tumbled
- Tumbled finish is shiny and slightly dimpled



Style	Part No. Tumbled	Part No. Polished	A	B	C	D	E	F	G	H	I
A	40785	-	40	26	14	13	-	-	-	-	-
A	40786	-	50	34	18	17	-	-	-	-	-
A	40787	-	63	42	20	21	-	-	-	-	-
A	40788	-	80	52	25	25	-	-	-	-	-
B	40789	40805	40	25	14	13	8	-	-	-	-
B	40790	40806	50	32	18	17	10	-	-	-	-
B	40791	40807	63	40	20	21	12	-	-	-	-
B	40792	40808	80	50	25	25	16	-	-	-	-
C	40793	40809	40	26	14	13	8	18	15	-	-
C	40794	40810	50	34	18	17	10	21	18	-	-
C	40795	40811	63	42	20	21	12	25	22	-	-
C	40796	40812	80	52	25	25	16	32	28	-	-
D	40797	40813	40	25	14	13	M8	-	-	8.4	12
D	40798	40814	50	32	18	17	M10	-	-	10.5	16
D	40799	40815	63	40	20	21	M12	-	-	13	20
D	40800	40816	80	50	25	25	M16	-	-	17	30
E	40801	40817	40	26	14	13	M8	18	15	-	-
E	40802	40818	50	34	18	17	M10	21	18	-	-
E	40803	40819	63	42	20	21	M12	25	22	-	-
E	40804	40820	80	52	25	25	M16	32	28	-	-

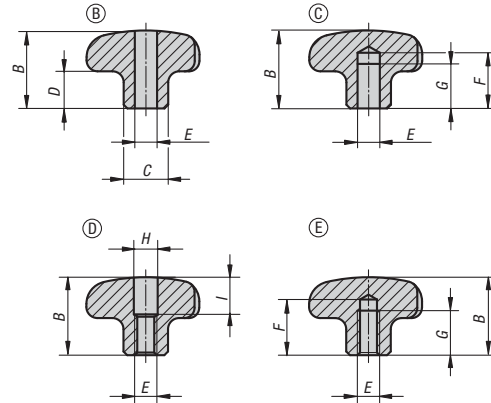
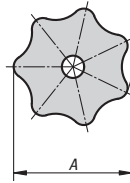


www.aboveboardelectronics.com
1-800-453-1692



Stainless Steel Star Grips

Inch



- Material: Stainless steel
- Finish: ground and polished
- Highly polished finish looks great

Style	Part No.	A	B	C	D	E	F	G	H	I
B	40821	1.26	0.79	0.47	0.39	0.250	-	-	-	-
B	40822	1.57	0.98	0.55	0.51	0.312	-	-	-	-
B	40823	1.97	1.26	0.71	0.67	0.375	-	-	-	-
B	40824	2.48	1.57	0.79	0.83	0.500	-	-	-	-
C	40825	1.26	0.83	0.47	0.39	0.250	0.59	0.47	-	-
C	40826	1.57	1.02	0.55	0.51	0.312	0.71	0.59	-	-
C	40827	1.97	1.34	0.71	0.67	0.375	0.83	0.71	-	-
C	40828	2.48	1.65	0.79	0.83	0.500	0.98	0.87	-	-
D	40829	1.26	0.79	0.47	0.39	1/4-20	-	-	0.25	0.39
D	40830	1.57	0.98	0.55	0.51	5/16-18	-	-	0.33	0.47
D	40831	1.97	1.26	0.71	0.67	3/8-16	-	-	0.41	0.63
D	40832	2.48	1.57	0.79	0.83	1/2-13	-	-	0.51	0.79
E	40833	1.26	0.83	0.47	0.39	1/4-20	0.59	0.47	-	-
E	40834	1.57	1.02	0.55	0.51	5/16-18	0.71	0.59	-	-
E	40835	1.97	1.34	0.71	0.67	3/8-16	0.83	0.71	-	-
E	40836	2.48	1.65	0.79	0.83	1/2-13	0.98	0.87	-	-



www.aboveboardelectronics.com
1-800-453-1692

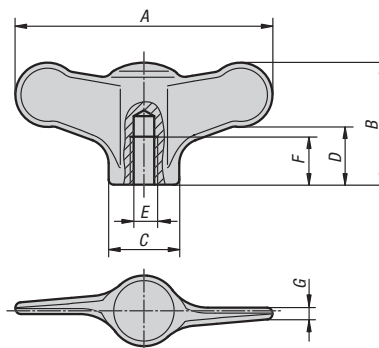
Stainless Steel Star Grips

Metric

Style	Part No.	A	B	C	D	E	F	G	H	I
B	40837	32	20	12	10	6	-	-	-	-
B	40838	40	25	14	13	8	-	-	-	-
B	40839	50	32	18	17	10	-	-	-	-
B	40840	63	40	20	21	12	-	-	-	-
C	40841	32	21	12	10	6	15	12	-	-
C	40842	40	26	14	13	8	18	15	-	-
C	40843	50	34	18	17	10	21	18	-	-
C	40844	63	42	20	21	12	25	22	-	-
D	40845	32	20	12	10	M6	-	-	6.4	10
D	40846	40	25	14	13	M8	-	-	8.4	12
D	40847	50	32	18	17	M10	-	-	10.5	16
D	40848	63	40	20	21	M12	-	-	13	20
E	40849	32	21	12	10	M6	15	12	-	-
E	40850	40	26	14	13	M8	18	15	-	-
E	40851	50	34	18	17	M10	21	18	-	-
E	40852	63	42	20	21	M12	25	22	-	-



Wing Nuts Inch



Blasted

- Material: Stainless steel
- Finish: Blasted
- Wings are offset for comfortable, ergonomic grip
- Coarse, blasted finish delivers an economical option for applications where appearance is less important.

Ground and Polished

- Material: Stainless steel
- Finish: ground and polished
- Wings are offset for comfortable, ergonomic grip
- Polished to a shiny, smooth finish for a high quality look and feel.

Ground & Polished Part No.	Blasted Part No.	A	B	C	D	E	F	G
40853	40861	1.50	0.71	0.41	0.34	8-32	0.35	0.067
40854	40862	1.50	0.71	0.41	0.34	10-32	0.35	0.067
40855	40863	1.50	0.71	0.41	0.34	1/4-20	0.35	0.067
40856	40864	1.97	0.94	0.55	0.45	10-24	0.39	0.091
40857	40865	1.97	0.94	0.55	0.45	10-32	0.47	0.091
40858	40866	1.97	0.94	0.55	0.45	1/4-20	0.39	0.091
40859	40867	2.95	1.39	0.83	0.65	5/16-18	0.55	0.134
40860	40868	2.95	1.39	0.83	0.65	3/8-16	0.55	0.134



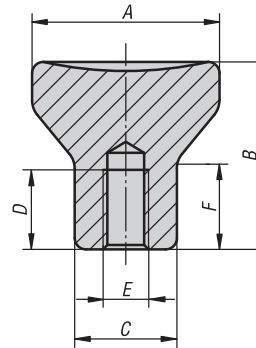
www.aboveboardelectronics.com
1-800-453-1692

Wing Nuts Metric

Ground & Polished Part No.	Blasted Part No.	A	B	C	D	E	F	G
40869	40876	38	18	10.5	8.5	M4	9	1.7
40870	40877	38	18	10.5	8.5	M5	9	1.7
40871	40878	38	18	10.5	8.5	M6	9	1.7
40872	40879	50	24	14	11.5	M5	12	2.3
40873	40880	50	24	14	11.5	M6	12	2.3
40874	40881	75	35	21	16.5	M8	15	3.4
40875	40882	75	35	21	16.5	M10	15	3.4



Mushroom Knobs *Inch*



- Material: Stainless steel
- Finish: Electrolytic-polish
- Mushroom knob with polished surface

Part No.	E	A	C	B	F	D
40883	2-56	0.55	0.32	0.55	0.26	0.16
40884	6-32	0.71	0.39	0.71	0.34	0.30
40885	8-32	0.83	0.47	0.83	0.39	0.39
40886	10-24	0.83	0.47	0.83	0.39	0.49
40887	10-32	0.83	0.47	0.83	0.39	0.49
40888	1/4-20	0.98	0.55	0.98	0.47	0.47
40889	5/16-18	1.30	0.71	1.30	0.63	0.63
40890	3/8-16	1.57	0.94	1.57	0.41	0.79



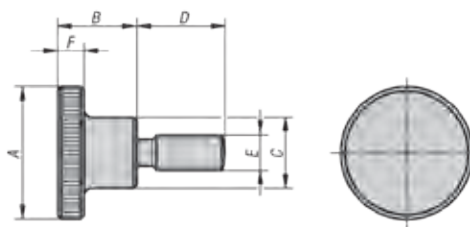
www.aboveboardelectronics.com
1-800-453-1692

Mushroom Knobs *Metric*

Part No.	E	A	C	B	F	D
40891	M2	14	8	14	6.7	4
40892	M3	18	10	18	8.6	7.5
40893	M4	21	12	21	10	10
40894	M5	21	12	21	10	12.5
40895	M6	25	14	25	12	12
40896	M8	33	18	33	16	16
40897	M10	40	24	40	18.7	20



Knurled Thumb Screw Stainless Steel, Inch



Stainless Steel

- Material: Stainless steel
- Finish: Natural
- Knurled Head
- Note: The knurled thumb screw is supplied with no thread undercut

Part No. SS	A	B	C	D	E	F
41838	0.63	0.37	0.32	0.39	8-32	0.14
41839	0.63	0.37	0.32	0.63	8-32	0.14
41840	0.63	0.37	0.32	0.79	8-32	0.14
41841	0.79	0.45	0.39	0.39	10-24	4.00
41842	0.79	0.45	0.39	0.63	10-24	4.00
41843	0.79	0.45	0.39	0.79	10-24	4.00
41844	0.94	0.59	0.47	0.39	1/4-20	0.20
41845	0.94	0.59	0.47	0.63	1/4-20	0.20
41846	0.94	0.59	0.47	0.79	1/4-20	0.20
41847	0.94	0.59	0.47	0.98	1/4-20	0.20
41848	1.18	0.71	0.63	0.63	5/16-18	0.24
41849	1.18	0.71	0.63	0.79	5/16-18	0.24
41850	1.18	0.71	0.63	0.98	5/16-18	0.24
41851	1.42	0.91	0.79	0.79	3/8-16	0.32
41852	1.42	0.91	0.79	0.79	3/8-16	0.32



www.aboveboardelectronics.com
1-800-453-1692

Knurled Thumb Screw Stainless Steel & Steel, Metric

Free-Cutting Steel

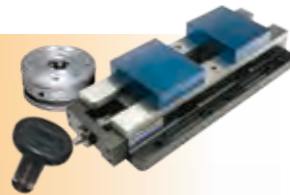
- Material: steel
- Finish: black oxide
- Knurled Head
- Note: The knurled thumb screw is supplied with no thread undercut

Part No. Steel	Part No. SS	A	B	C	D	E	F
41853	41871	16	9.5	8	10	M4	3.5
41854	41872	16	9.5	8	16	M4	3.5
41855	41873	16	9.5	8	20	M4	3.5
41856	41874	20	11.5	10	10	M5	4
41857	41875	20	11.5	10	16	M5	4
41858	41876	20	11.5	10	20	M5	4
41859	41877	24	15	12	10	M6	5
41860	41878	24	15	12	16	M6	5
41861	41879	24	15	12	20	M6	5
41862	41880	24	15	12	25	M6	5
41863	41881	30	18	16	16	M8	6
41864	41882	30	18	16	20	M8	6
41865	41883	30	18	16	25	M8	6
41866	41884	30	18	16	30	M8	6
41867	41885	36	23	20	20	M10	8
41868	41886	36	23	20	25	M10	8
41869	41887	36	23	20	30	M10	8
41870	41888	36	23	20	40	M10	8

KNOBS

We Are Jergens

WORKHOLDING SOLUTIONS



SUPPORT, LOCATE AND HOLD:

From standard components to vises and quick change fixture systems like Ball Lock®, ZPS and Fixture-Pro® Multi-Axis.

SPECIALTY FASTENERS



FASTEN, STRENGTHEN AND SECURE:

From threaded inserts and toggle clamps to Kwik-Lok® Pins.

LIFTING SOLUTIONS



LIFT, TURN AND TRACK:

From chain sling and eye bolts to hoist rings and our proprietary Lift-Check™ hoist rings.

We got our start back in 1942, manufacturing tooling components to help American manufacturers operate quickly and more efficiently. “The Standard Components with the Highest Standards.” This founding philosophy put Jergens on the forefront of the “lean manufacturing” movement before anyone even thought to put those two words together.

In the years since, Jergens has structured its offering to advance the cause of leaner manufacturing, adding products and engineered solutions for an integrated approach to “Manufacturing Efficiency.”

You can find Jergens products just about anywhere in the manufacturing environment.

Jergens
MANUFACTURING EFFICIENCY



www.aboveboardelectronics.com
1-800-453-1692

Jergens®

MANUFACTURING EFFICIENCY

WORLD HEADQUARTERS

15700 S. WATERLOO ROAD
CLEVELAND, OH 44110-3898

 866.KWIK.LOK (594-5565)

 JERGENSINC.COM/SPECIALTY-FASTENERS

 FASTENERS@JERGENSINC.COM

DISTRIBUTED BY:



www.aboveboardelectronics.com
1-800-453-1692



WORKHOLDING SOLUTIONS



SPECIALTY FASTENERS



LIFTING SOLUTIONS

©2020 JERGENS, INC. | IMG0220

