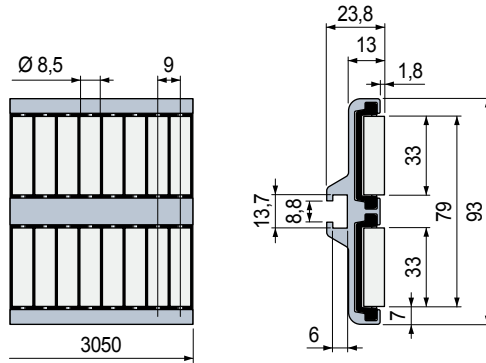


Part. **S0757**

■ Roller side guides with cylinder rollers



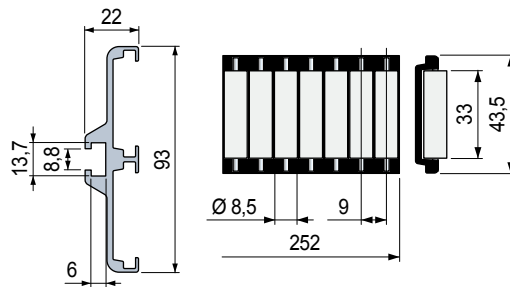
Cylinder rollers material	Code	Weight kg
Polyethylene PE (white)	<b>645093</b>	2,00

- Material: metal profile in anodized aluminium, rollers module in acetal POM (black), roller pins in stainless steel.
- Standard packaging: strands 3,05 metres.
- Packaging: 2 strands.

The roller side guides can be supplied with separated components.

**Metal profile**

**Cylinder roller module**



Length mm	Code	Cylinder rollers material	Code
3050	<b>607953</b>	Polyethylene PE (white)	<b>644613</b>
6100	<b>607963</b>		

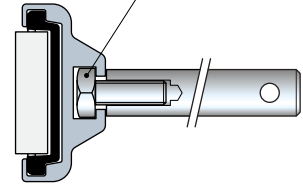
- Material: anodized aluminium.
- Weight: 1,36 Kg/m.
- Packaging: 1 strand.

• **Characteristics** Part. S0757

- Self supporting structure.
- Anodized aluminium profile.
- Quick and easy installation by standard bolts.
- Can be used straight running and sideflexing.

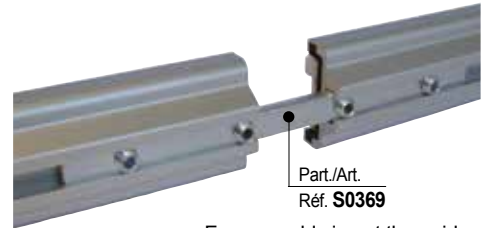
• **Assembly** Part. S0757

**M8 hex head bolt**



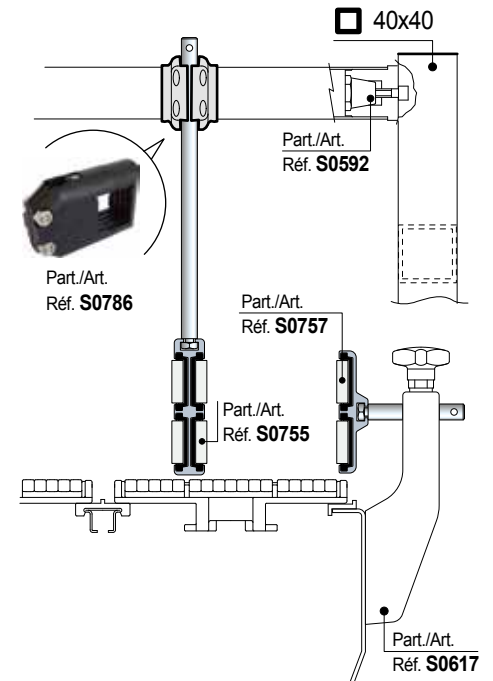
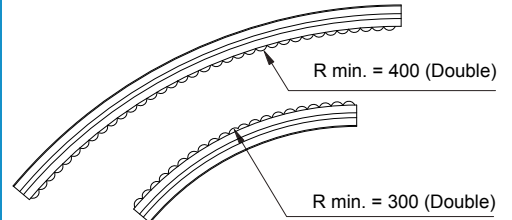
• **Accessories**

Part. S0369 - Connecting bar



For assembly insert the guides and tighten the set screw.

• **Min. curvature radius** Part. S0757



● Best Seller

● Standard

● On request: minimum quantity may apply. Consult our Customer Service for availability.

Item code for order = Part. + Code