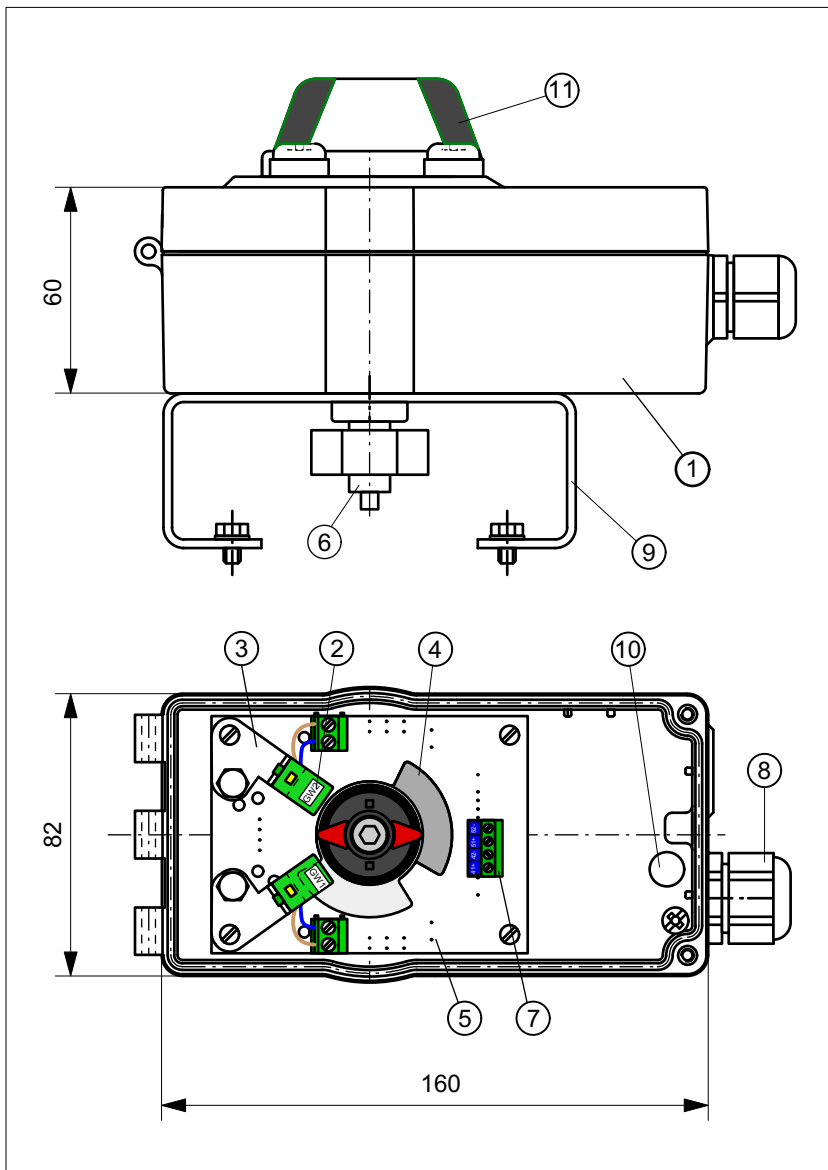




ALB-Module APF3SASTAZ10

ALB-Module with two proximity switches P+F SJ3,5-SN on circuit board
in Aluminium-Housing 160x82x60 mm, with high vision beacon "OPEN+CLOSED"



TECHNICAL DATA

Manufacturer: Pepperl+Fuchs
 Type: SJ3,5-SN,
 slot type, NAMUR
 normally closed contact
 with safety function

Depth of immersion: 5 ... 7 mm
 Nominal voltage: 8,2 V DC
 Current consumpt.: ≥ 3 mA, inactive
 ≤ 1 mA, active

Temperature: -25 ... +85°C
 Switch. frequency: 0 ... 3000 Hz
 Housing: Aluminium
 base, industry grey
 cover, red

Sealing: PUR
 Ingress protection: IP67 (sensor)
 IP65 (housing)

Switch. precision: $< 1.5^\circ$
 System connection: Cable gland M20x1,5
 Clamp. range 8...13 mm



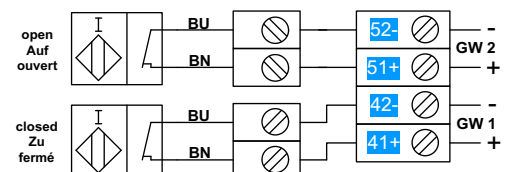
II 2G Ex ia IIC T6 Gb

EC-Type Examination Certificate No.
PTB 00 ATEX 2049 X

OBJECT LIST

Pos.	Pcs.	Description	Material
1	1	Housing	Aluminium
2	2	P+F SJ3,5-SN	-
3	2	Fastener	A2
4	2	Switch plate	POM + Al
5	1	Circuit board	-
6	1	Axis	POM
7	1	Terminal block, 4-pole	-
8	1	Cable gland M20x1,5	PA
9	1	Bracket size 1 - 4	A2
10	1	Membrane	-
11	1	High vision beacon	-

WIRING DIAGRAM



created: 12.03.12 / SHAM
checked: 12.03.12 / WD
status: 30.05.16

Im Katzentach 16-18 Telefon: 07243-59 31-0 e-Mail: info@rotech.de
D-76275 Ettlingen Telefax: 07243-59 31-31 Internet: www.rotech.de

ROTECH
SYSTEMKOMPONENTEN