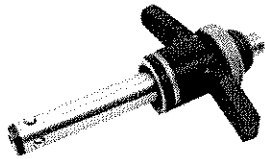




## Adjustable Ball Lock Pins (T Handle)

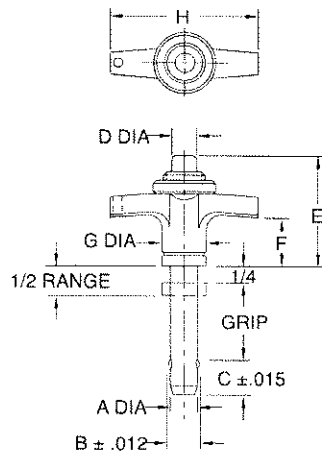
Alignment Pins

### Product Information



Adjustable Ball Lock Pins have an adjustable grip length. They can be used for clamping, or simply to provide a variable grip length. The threaded handle turns to provide a +/- 1/4" clamping range or adjustment range. When used just for variable grip length (not for clamping), the handle can be secured with the supplied knurled locknut. Ball Lock Pins are high-strength, quick-release alignment pins with a precision ground shank. They are positive locking until released by pushing the button, which moves the center spindle forward to allow the balls to retract. Adjustable Ball Lock Pins have four balls as standard, instead of two, for more-distributed ball-pullout force in clamping applications. Choice of three handle styles (T-handle version shown here). Patent no. 3,101,641. Made in USA.

Available in standard pin diameters from 1/4 to 1" (6 to 20mm in metric), in stainless steel only. Available from stock in many standard grip lengths. Other grip lengths are available as specials (extra charge and longer delivery time).



### Adjustable Ball Lock Pins (T Handle)

#### General Dimensions (Inch)

The Basic Part Number shown here must be completed on the Pricing & Availability screen with a suffix for grip length (2-place decimal inch) followed by a "-S" for standard stainless-steel material. Also add a suffix for any desired option, such as an attached cable (-C). For complete part numbers of stock grip lengths in each diameter, see tables at the bottom of this page.

QUANTITY	PART NO.	A DIA NOMINAL	A DIA ACTUAL	GRIP LENGTH	B	C	D DIA	E	F	G DIA	H
	CL-4-ABPT-0.50-S	1/4	.2485 / .2470	.50	.290	.275	.22	1.51	1.06	.75	2.25
	CL-4-ABPT-0.75-S	1/4	.2485 / .2470	.75	.290	.275	.22	1.51	1.06	.75	2.25
	CL-4-ABPT-1.00-S	1/4	.2485 / .2470	1.00	.290	.275	.22	1.51	1.06	.75	2.25
	CL-4-ABPT-1.25-S	1/4	.2485 / .2470	1.25	.290	.275	.22	1.51	1.06	.75	2.25
	CL-4-ABPT-1.50-S	1/4	.2485 / .2470	1.50	.290	.275	.22	1.51	1.06	.75	2.25
	CL-4-ABPT-1.75-S	1/4	.2485 / .2470	1.75	.290	.275	.22	1.51	1.06	.75	2.25
	CL-4-ABPT-2.00-S	1/4	.2485 / .2470	2.00	.290	.275	.22	1.51	1.06	.75	2.25
	CL-4-ABPT-2.50-S	1/4	.2485 / .2470	2.50	.290	.275	.22	1.51	1.06	.75	2.25
	CL-4-ABPT-3.00-S	1/4	.2485 / .2470	3.00	.290	.275	.22	1.51	1.06	.75	2.25
	CL-4-ABPT-3.50-S	1/4	.2485 / .2470	3.50	.290	.275	.22	1.51	1.06	.75	2.25
	CL-4-ABPT-4.00-S	1/4	.2485 / .2470	4.00	.290	.275	.22	1.51	1.06	.75	2.25
	CL-4-ABPT-4.50-S	1/4	.2485 / .2470	4.50	.290	.275	.22	1.51	1.06	.75	2.25
	CL-4-ABPT-5.00-S	1/4	.2485 / .2470	5.00	.290	.275	.22	1.51	1.06	.75	2.25
	CL-5-ABPT-0.50-S	5/16	.3110 / .3095	.50	.375	.315	.22	1.45	1.06	.75	2.25
	CL-5-ABPT-0.75-S	5/16	.3110 / .3095	.75	.375	.315	.22	1.45	1.06	.75	2.25
	CL-5-ABPT-1.00-S	5/16	.3110 / .3095	1.00	.375	.315	.22	1.45	1.06	.75	2.25
	CL-5-ABPT-1.50-S	5/16	.3110 / .3095	1.50	.375	.315	.22	1.45	1.06	.75	2.25
	CL-5-ABPT-2.00-S	5/16	.3110 / .3095	2.00	.375	.315	.22	1.45	1.06	.75	2.25
	CL-5-ABPT-2.50-S	5/16	.3110 / .3095	2.50	.375	.315	.22	1.45	1.06	.75	2.25
	CL-5-ABPT-3.00-S	5/16	.3110 / .3095	3.00	.375	.315	.22	1.45	1.06	.75	2.25
	CL-5-ABPT-4.00-S	5/16	.3110 / .3095	4.00	.375	.315	.22	1.45	1.06	.75	2.25
	CL-6-ABPT-0.50-S	3/8	.3735 / .3720	.50	.438	.350	.27	1.48	1.06	.93	3.00
	CL-6-ABPT-0.75-S	3/8	.3735 / .3720	.75	.438	.350	.27	1.48	1.06	.93	3.00
	CL-6-ABPT-1.00-S	3/8	.3735 / .3720	1.00	.438	.350	.27	1.48	1.06	.93	3.00
	CL-6-ABPT-1.25-S	3/8	.3735 / .3720	1.25	.438	.350	.27	1.48	1.06	.93	3.00
	CL-6-ABPT-1.50-S	3/8	.3735 / .3720	1.50	.438	.350	.27	1.48	1.06	.93	3.00
	CL-6-ABPT-1.75-S	3/8	.3735 / .3720	1.75	.438	.350	.27	1.48	1.06	.93	3.00
	CL-6-ABPT-2.00-S	3/8	.3735 / .3720	2.00	.438	.350	.27	1.48	1.06	.93	3.00
	CL-6-ABPT-2.50-S	3/8	.3735 / .3720	2.50	.438	.350	.27	1.48	1.06	.93	3.00
	CL-6-ABPT-3.00-S	3/8	.3735 / .3720	3.00	.438	.350	.27	1.48	1.06	.93	3.00
	CL-6-ABPT-3.50-S	3/8	.3735 / .3720	3.50	.438	.350	.27	1.48	1.06	.93	3.00
	CL-6-ABPT-4.00-S	3/8	.3735 / .3720	4.00	.438	.350	.27	1.48	1.06	.93	3.00
	CL-6-ABPT-5.00-S	3/8	.3735 / .3720	5.00	.438	.350	.27	1.48	1.06	.93	3.00
	CL-6-ABPT-6.00-S	3/8	.3735 / .3720	6.00	.438	.350	.27	1.48	1.06	.93	3.00