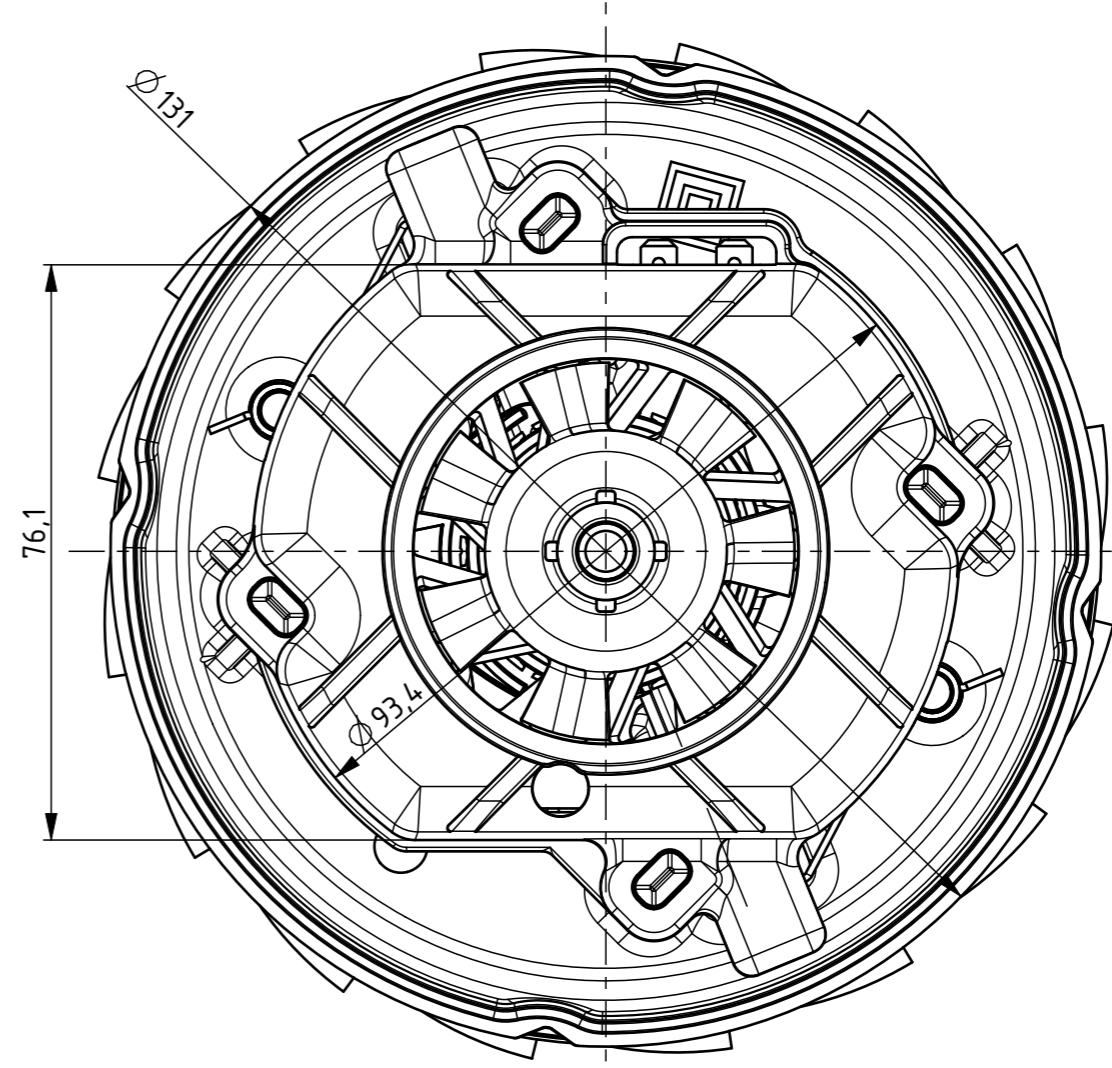
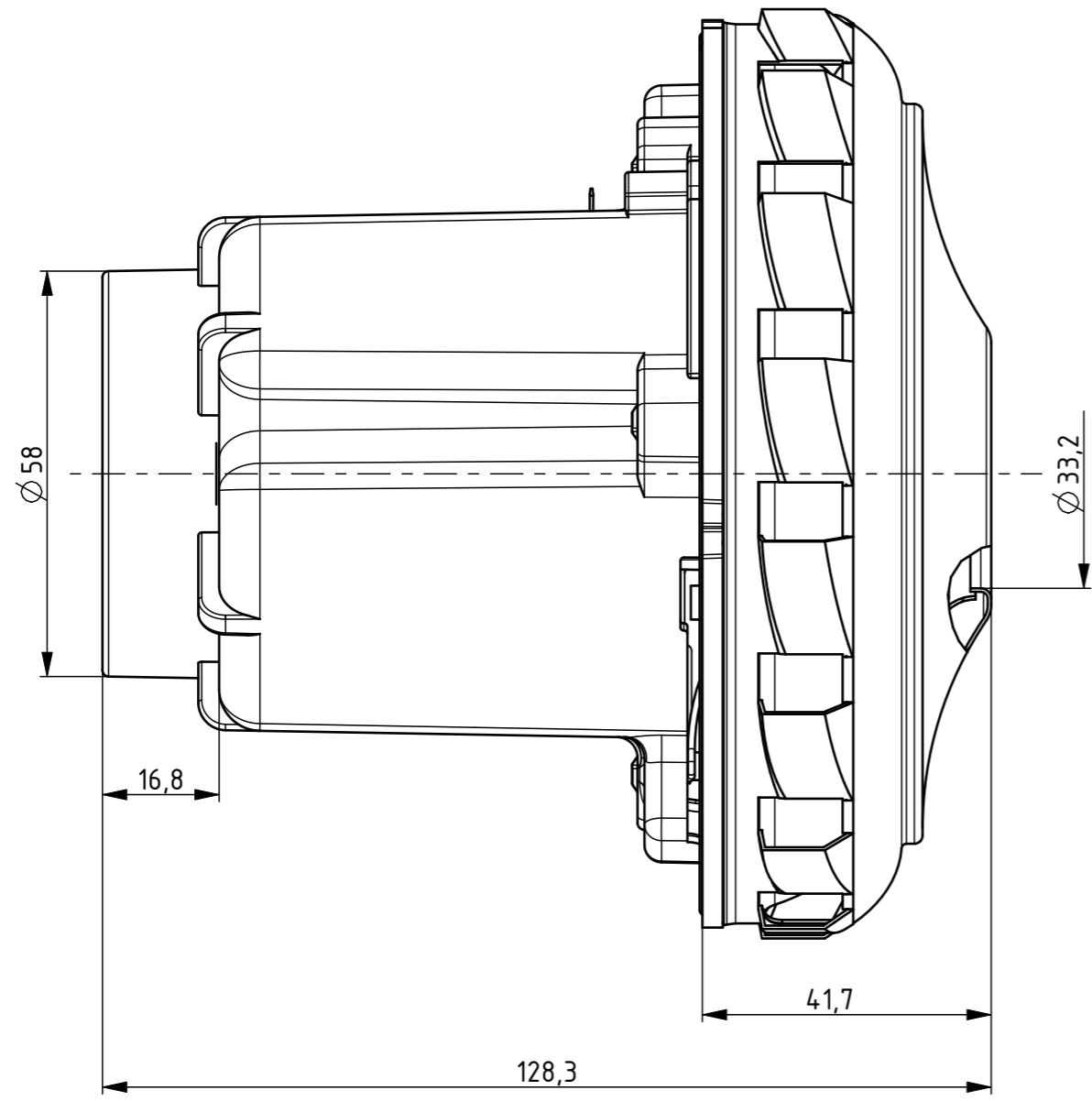


Izdelano s CAD/ProEngineer - ročno spreminjanje ni dovoljeno! Vsak prenos tretjim osebam ali uporaba v nedogovorjene namene ni dovoljena po zakonu o avtorskih pravicah. Made with CAD/ProEngineer - changing is not allowed! Any unauthorized copying of this drawing or unauthorized distribution of the information contained herein is prohibited.

1	2	3	4	5	6	7	8	9	
NAPETOST VOLTAGE		230 V	DVOJNA IZOLACIJA DOUBLE INSULATED		Verzija			Status	
FREKVENCA FREQUENCY		50/60 Hz	(B1)						G
NAZIVNA MOČ NOMINAL POWER		1350 W							F



Oznake natisnjene na SE:  
Information stamped on VCM:

DOMEL 467.3.403-3  
230 V 50/60 Hz  
I.C.L.H  
YYWWD S NNNN  
MADE IN SLOVENIA



(B2)

OSNOVNE ZNAČILNOSTI		TYPICAL CHARACTERISTICS	
IZVEDBA	ENOSTOPENJSKA	FAN SYSTEM	SINGLE STAGE
VLEŽAJENJE	DVA KROGLIČNA LEŽAJA	BEARINGS	DUAL BALL
VRSTA PRETOKA	MIMO MOTORJA	DISCHARGE	BY PASS
SMER VR TENJA	DESNA	DIRECTION OF ROTATION	CW

				Tolerance odprtih mer Tolerances without individual indications ISO 8015 ISO 2768 - mK	Površinska hrapavost Surface finishing	Merilo Scale 1:2		Original format ISO 5457 - A3
				Datum/Date	Ime/Name	Gradivo / Material		
				Izdelal Designed	26.11.09	Novinc M.	Naziv Title	
				Pregl. Verified	11.07.18	B. Benedik	SESALNA ENOTA VACUUM CLEANER MOTOR	
				<b>DOMEL</b> Otoki 21, 4228 Železniki, Slovenija		Koda Code	467.3.403-3	
B2	13693	11.07.18	D. Vrhunc			List Sheet	3+	
A0	9223	27.11.09	Novinc M.			Stran Page	1	
Ozn. Mark	Št. Nr. of notice	Datum Date	Ime Name			4673403003_SESALNA_ENOTA		