

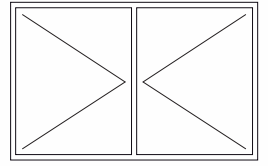
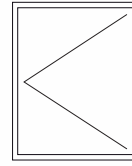
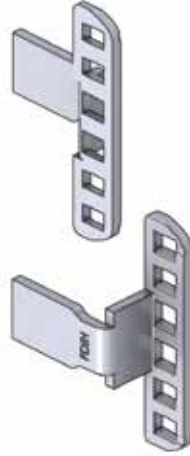


GEA

CREMONE BOLTS AND
OPENING MECHANISMS

 Made in Italy

fapim[®]
Life in evolution



Art. 0540B



Art. 0541B



Art. 0533B - 0543B





Art. 0530B



Art. 0531

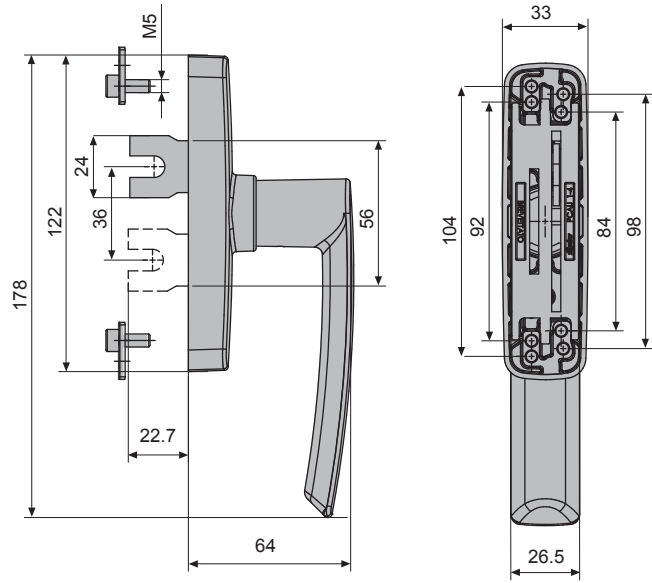


Art. 0532AZ - 0532BZ

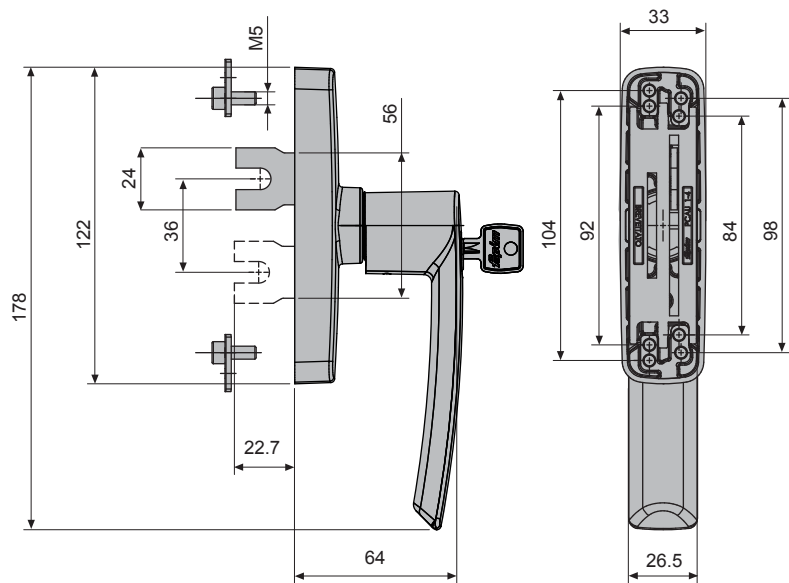


Art. 0533B

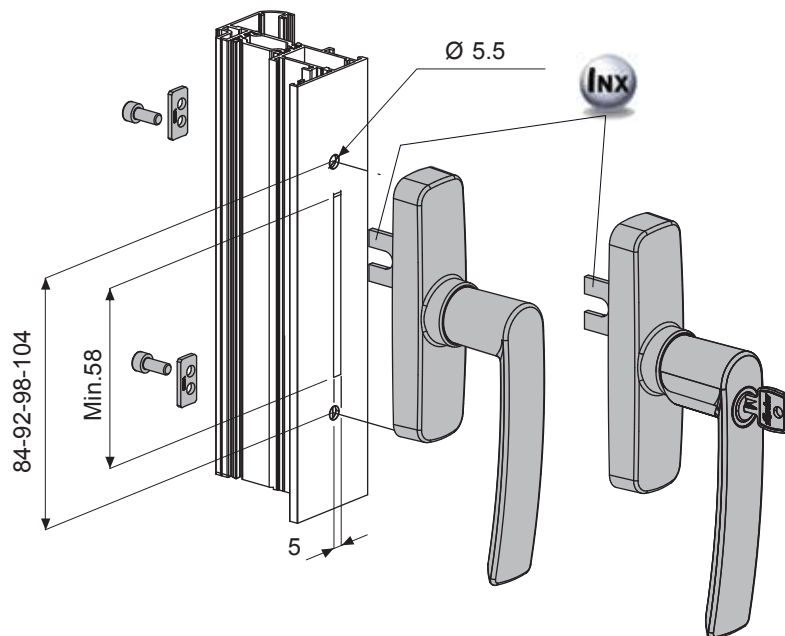




0530B		
	84-92-98-104	10

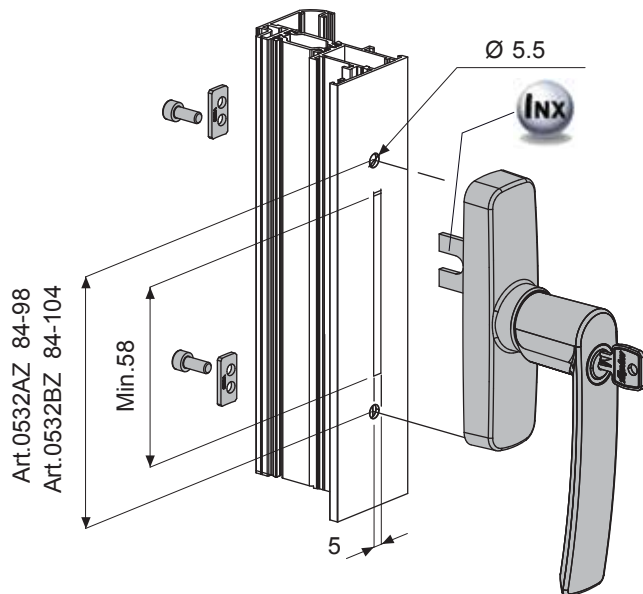
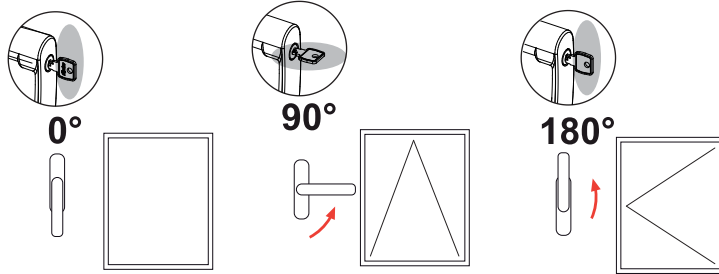
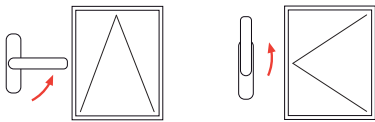
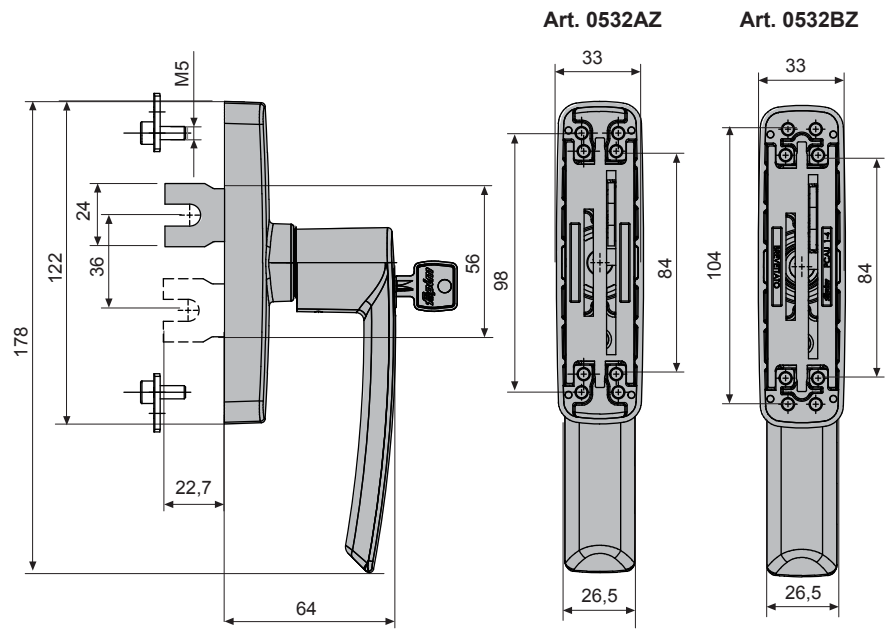


0531B		
	84-92-98-104	10



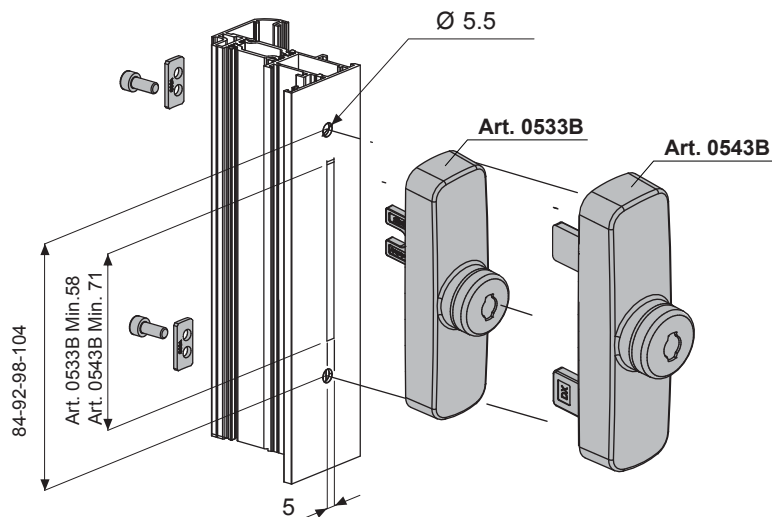
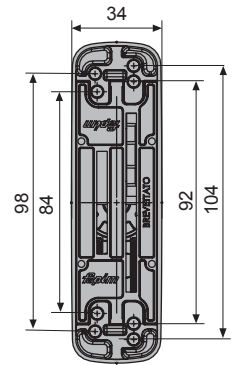
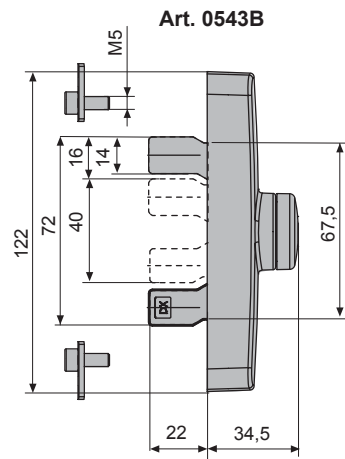
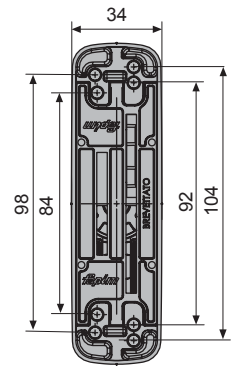
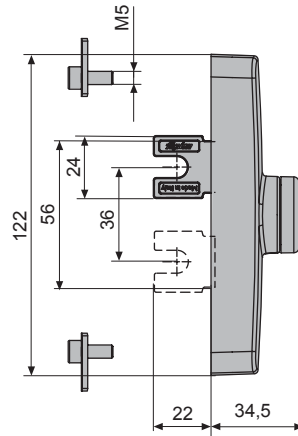


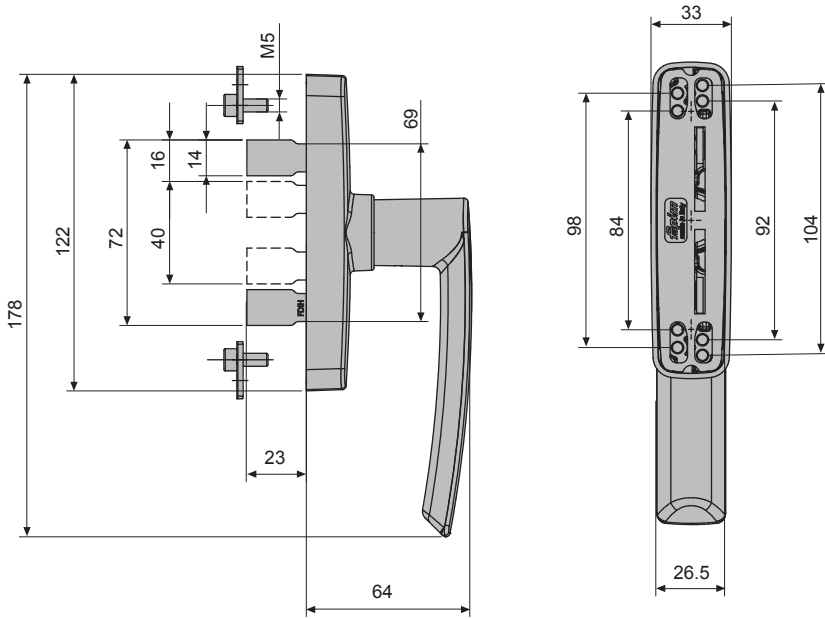
0532AZ	84-98	10
0532BZ	84-104	10



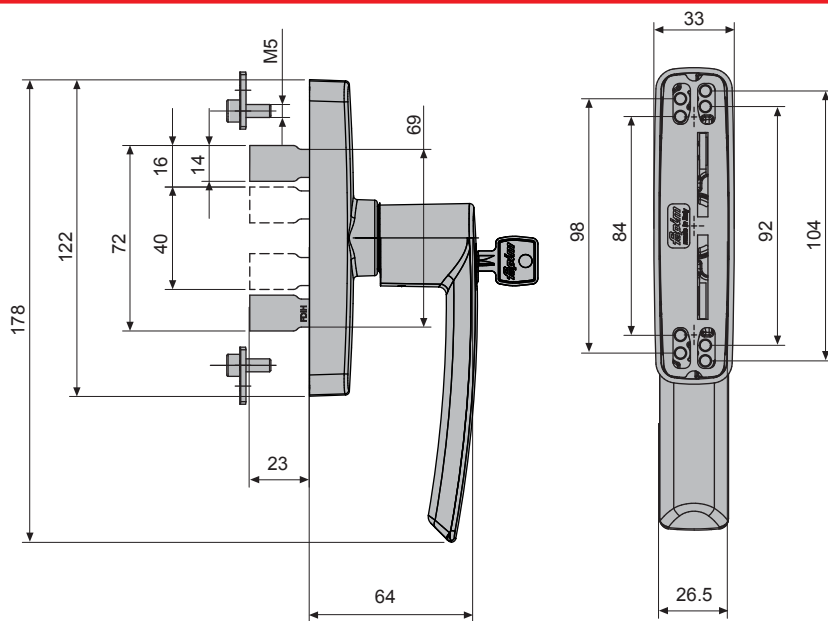


0533B		84-92-98-104	10
0543B			





0540B	84-92-98-104
	10



0541B	84-92-98-104
	10

