

# ROTAPULS

Incremental encoder

Series

C82



- Encoder for elevator motors
- Precise optical sensing
- Operating temperature up to -40°C +100°C
- Resolution from 12 to 8192 PPR
- Hollow shaft from Ø 30 to Ø 44 mm
- Other fixing plates available on request



C82

## ENVIRONMENTAL SPECIFICATIONS

Shock:	100 g, 6 ms
Vibrations:	10 g, 5-2000 Hz
Protection:	IP54
Operating temperature range:	-25°C +85°C (-13°F +185°F)
Storage temperature range:	-25°C +85°C (-13°F +185°F) (98% R.H. without condensation)
Options:	<ul style="list-style-type: none"><li>• Operating temperature range: -40°C +100°C (-40°F +212°F)</li><li>• IP65 Protection (2000 rpm max, torque 2 Ncm)</li></ul>

## MECHANICAL SPECIFICATIONS

Dimensions:	see drawing
Shaft hollow:	Ø 30, 32, 34, 35, 38, 40, 42, 44 mm
Reducing sleeves, BR2-xx from Ø 30 mm to:	Ø 15, 5/8" (15,875), 16, 17, 18, 19, 20 22, 23, 24, 1" (25,4), 28 mm
Shaft loading:	axial: 100 N max. radial: 200 N max.
Shaft rotational speed:	max. 2000 rpm@70°C (158°F)/IP54, 3000 rpm@100°C (212°F)/IP54 max. 1500 rpm@70°C (158°F)/IP65, 2000 rpm@100°C (212°F)/IP65
Starting torque at 20°C:	4 ÷ 12 Ncm (typical)
Misalignment:	± 0,3 mm radial ± 0,2 mm axial
Bearings life:	400 x 10 <sup>6</sup> rev. min. (10 <sup>9</sup> rev. min. with 20 N shaft loading max.)
Electrical connections:	M23 12 pin plug or cable output 1 m (3.3 ft)
Weight:	~ 0,3 g (10,6 oz)
Option:	<ul style="list-style-type: none"><li>• additional cable</li></ul>

## ELECTRICAL SPECIFICATIONS

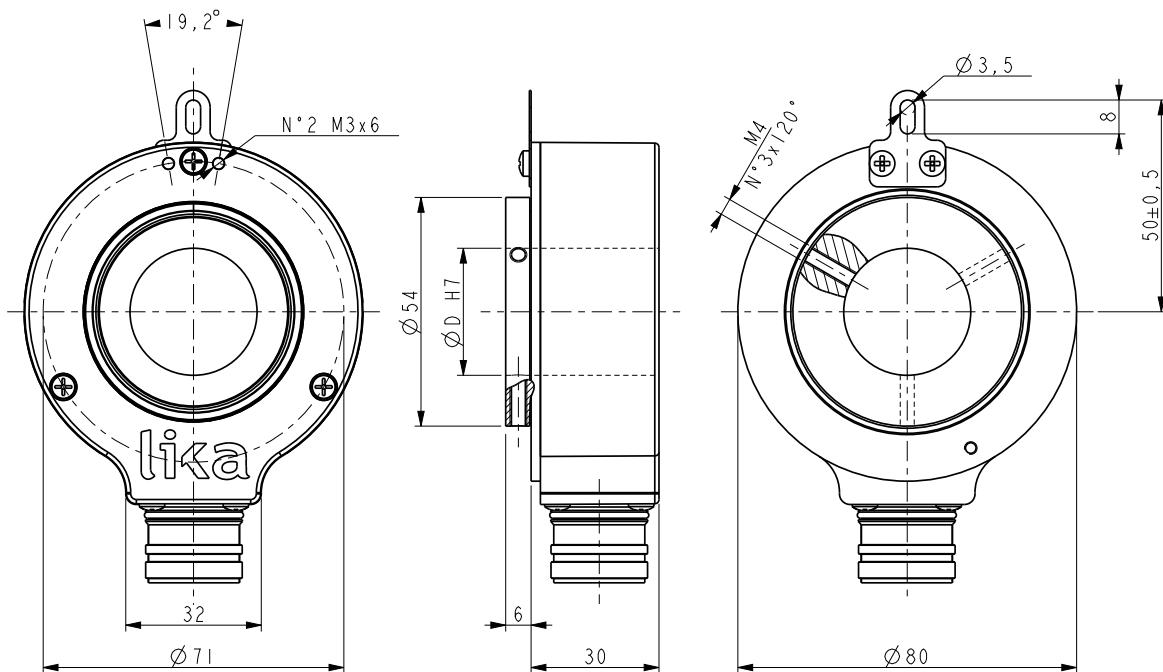
Resolution (PPR):	12-100-300-400-500-1024-2048-2500-4096-8192
Counting frequency:	100 kHz max.
Output circuits:	Push-Pull, Line Driver, Universal circuit
Power supply:	+5V ±5%, +10V +30V, +5V +30V
Consumption:	70 mA (typical)
Output current (each channel):	40 mA max.
Protection:	against inversion of polarity and short-circuit
EMC:	electro-magnetic immunity, according to: EN 61000-4-2 EN 61000-4-4
Optoelectronic life:	100.000 hrs min.

## MATERIALS

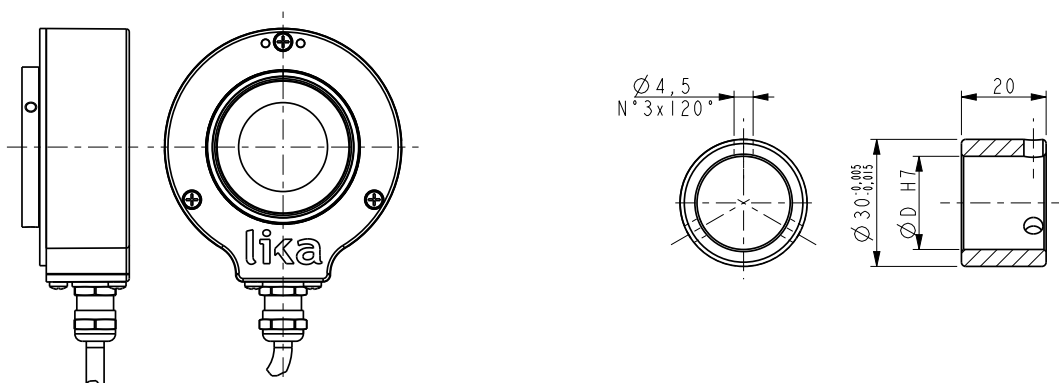
Flange:	anticorrosive, UNI EN AW-6082
Housing:	die cast aluminium, UNI EN AC-46100
Bearings:	ABEC 5
Shaft:	stainless steel, non-magnetic, UNI EN 4305
Light source:	GaAl diodes

## ACCESSORIES

EPFL121:	M23 12 pin mating connector
BR2-xx:	reducing sleeves



C82



BR2-xx

Order code

C82	-	X a	-	XXXXX b	XXX c	X d	XX e	X f	X g	XX h	/Sxxx i
-----	---	--------	---	------------	----------	--------	---------	--------	--------	---------	------------

**a** OUTPUT CIRCUITS

Y = Push Pull  
L = Line Driver (RS422)  
H = PP/LD universal circuit

**b** RESOLUTION (PPR)

See electrical specifications

**c** OUTPUT SIGNALS / CONNECTIONS

BNF = AB, cable output  
ZNF = AB0, cable output  
BCU = AB /AB, cable output  
ZCU = AB0 /AB0, cable output  
BCZ = AB /AB, M23 12 pin plug  
ZCZ = AB0 /AB0, M23 12 pin plug

**d** SUPPLY VOLTAGE

1 = +5V±5% (L output circuit)  
2 = +10V÷ +30V (Y output circuit)  
4 = +5V÷ +30V (H output circuit)

**e** SHAFT DIAMETER

30 = 30 mm  
32 = 32 mm  
34 = 34 mm  
35 = 35 mm  
38 = 38 mm  
40 = 40 mm  
42 = 42 mm  
44 = 44 mm (43,97)

**f** PROTECTION

- = IP54 protection (standard)  
P = IP65 protection

**g** OPERATING TEMPERATURE

- = -25°C +85°C (-13°F +185°F)  
K = -40°C +100°C (-40°F +212°F)

**h** CABLE LENGTH

- = cable output 1 m  
L2 = cable output 2 m  
L7 = cable output 7 m  
Lx = cable output x m  
CLx = x m cable with DSub 9 pin inline plug

**i** CUSTOM VERSION