

PISTER

Ball Valves



P
A
G
E

Pister Ball Valves are used in all sectors of industry, their name being associated with quality, high performance and innovation. Full opening, ease of operation under high pressure and other design features characterize Pister Ball Valves.

Housing, shaft, ball and seals are available in various materials. By individual selection of different material combinations Pister ball valves can be used in all industrial applications.

Pister ball valves are used worldwide to control hydraulic oils, all other type of oil, fuels, water, water based emulsions, air gases and liquid chemicals.

Temperature ranges depending on material used are: -40°C to $+250^{\circ}\text{C}$.

In applications with crystalizing media or media containing solid particles, where the seals of the ball are subject to extremely high wear, the valves can be supplied with metal seals, or aluminium oxide ceramic material and ceranox.

Tested in accordance with DIN 2470, type 1 or 2, or API-SPEC 6D, BS5146, type 1 and 2, when used with high-pressure gases.

BACK TO

PLEASE SEE FOLLOWING PAGES FOR FURTHER INFORMATION

CATALOGUE

PISTER Ball Valves

Physical Construction

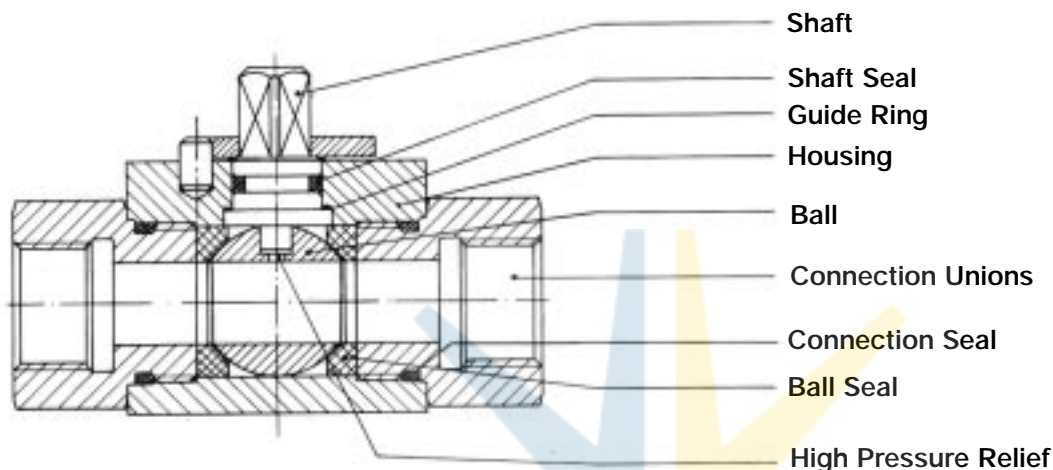
Complete freedom from maintenance is achieved by floating installation of the ball in the ball seals.

Due to the elastic tension of the seals, sufficient sealing is guaranteed also at low pressures and even with a vacuum.

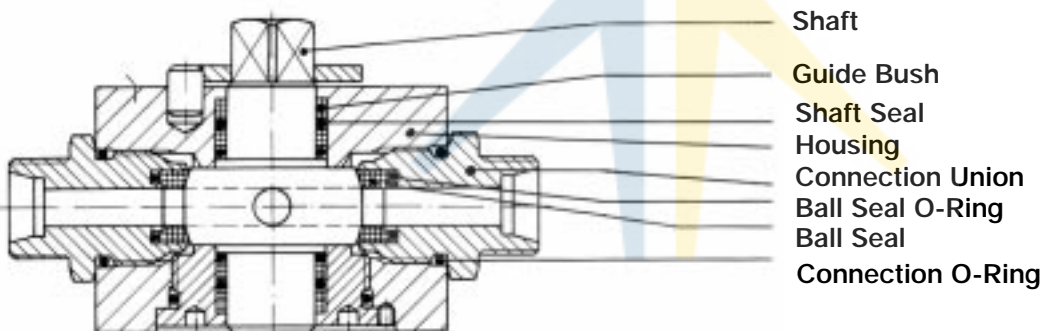
As the pressure increases, the seal opposite the

pressure is subject to an increasing load transmitted by the ball. This means that our ball valves are also **absolutely tight even at extremely high pressures.**

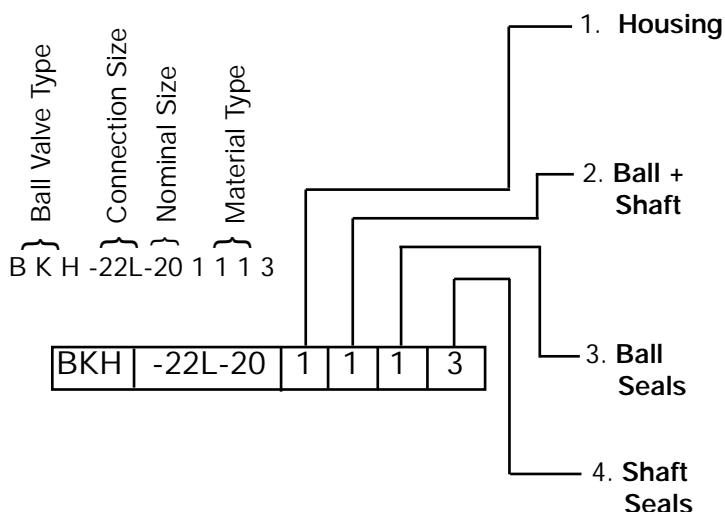
The shaft is assembled from inside and can therefore not be blown out. Thus prevents loosening or rupturing of the shaft even at extremely high pressures.



Multiway



Order Number Example



Material Order Codes

Material:	Code:
Steel	1
Forged Steel (C35)	2
Cast Iron (St 52-3)	3
Stainless Steel	4
Cast Steel	5
Brass	6
Forged Steel (C22.8)	7
Bar Steel (C22.8)	8
Special	9
Steel	1
Forged Steel	2
Stainless Steel	4
Cast Steel	5
Cast Stainless Steel	6
Chrome Steel (Cr 17)	7
Brass	8
Special	9
Polyamide	1
POM (Delrin)	2
Buna N	3
PTFE (Teflon)	4
Torlon	5
	6
Stellite	7
Brass	8
Special	9
Buna N	3
PTFE (Teflon)	4
Viton (FKM)	5
Ethylene/Propylene (EPDM)	6
Graphite	7
Radial Seal	8
Special	9

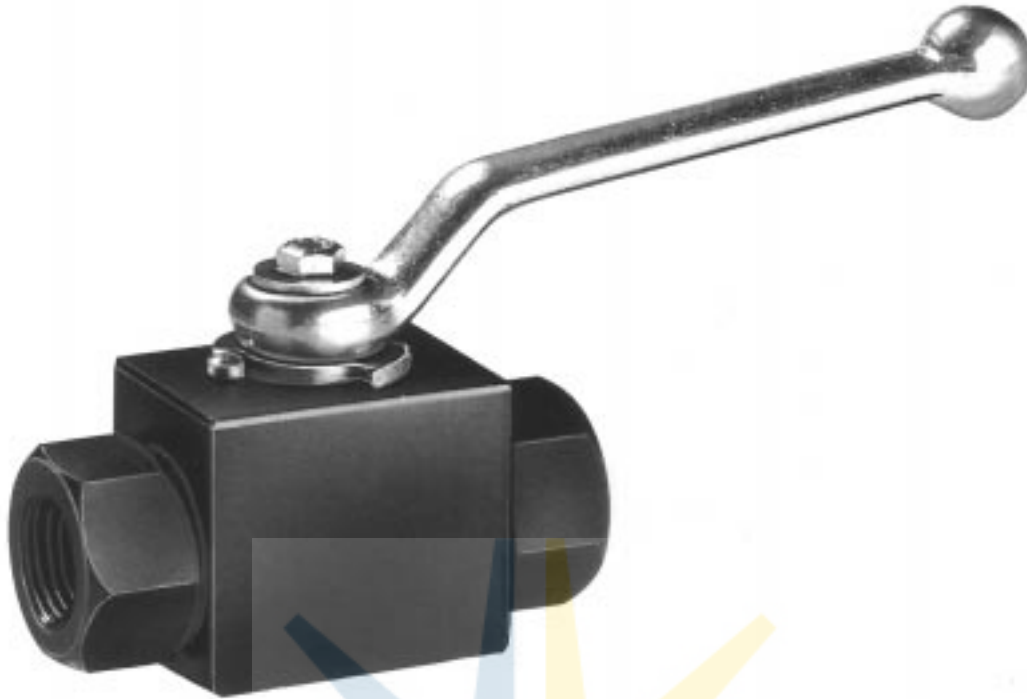
P
A
G
E

BACK TO

CATALOGUE

PISTER

Ball Valves Block-Type BKH



P
A
G
E

Ball Valves Block-Type BKH Series 040 DN4 to DN25

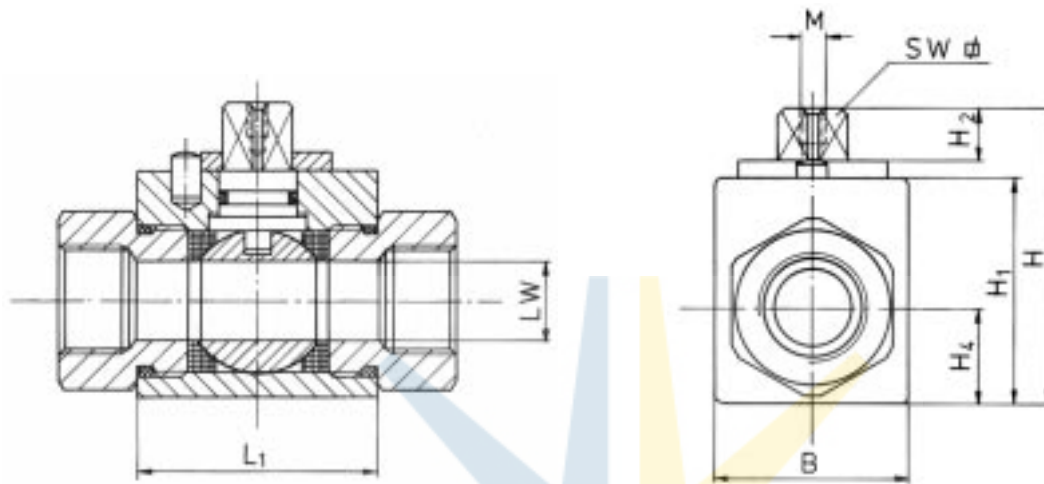
Body, connecting parts, ball and stem steel.
Each Pister Ball Valve is subject to an inspection for
resistance, sealing and special characteristics.
Inspection control certificates 3.1B or 3.1C per DIN 50.049
can be supplied on request.

BACK TO

CATALOGUE

PISTER

Ball Valves Block-Type BKH



P
A
G
E

Body dimensions are for all the combinations

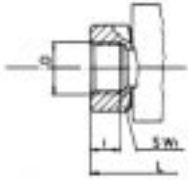
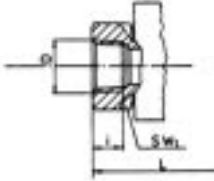
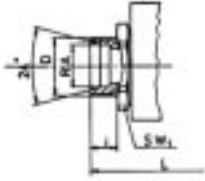
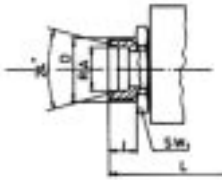
DN mm	LW mm	PN bar	L1 mm	B mm	H mm	H1 mm	H2 mm	H4 mm	M mm	SW ∇ mm
4	5	500	36	26	43,5	32	8	13	M5	9
6	6	500	36	26	43,5	32	8	13	M5	9
8	8	500	36	26	43,5	32	8	13	M5	9
10	10	500	43	32	49	38	8	16	M5	9
13	13	500	48	35	51	40	8	17,5	M5	9
16	15	500	48	38	62	46	12	19	M6	12
20	20	400	62	49	73	57	12	24,5	M6	14
25	24	350	66	60	76	60	12	26,5	M6	14

BACK TO

CATALOGUE

PISTER

Ball Valves Block-Type BKH

Connection	DN mm	LW mm	D	RA mm	L mm	i mm	SWi mm	Weight kg
01 BSP female thread DIN/ISO 228 	4	5	G 1/8	-	69	9	22	0,35
	6	6	G 1/4	-	69	12	22	0,35
	8	8	G 3/8	-	69	12	22	0,35
	10	10	G 3/8	-	73	12	27	0,5
	13	13	G 1/2	-	85	14	30	0,65
	16	15	G 5/8	-	84	14	32	0,75
	20	20	G 3/4	-	96	17	41	1,5
	25	24	G 1	-	113	19	46	2
	32	24	G 1 1/4	-	121	20	50	2,1
40	24	G 1 1/2	-	124	24	55	2,2	
02 NPT female thread ANSI B 2.1 	4	5	1/8-27 NPT	-	69	12	22	0,35
	6	6	1/4-18 NPT	-	69	17	22	0,35
	10	10	3/8-18 NPT	-	73	17	27	0,5
	13	13	1/2-14 NPT	-	92	22	30	0,65
	20	20	3/4-14 NPT	-	97	23	41	1,5
	25	24	1-11,5 NPT	-	113	27	46	2
	32	24	1 1/4-11,5 NPT	-	131	28	50	2,1
	40	24	1 1/2-11,5 NPT	-	139	28	55	2,3
	03* For compression fitting light series DIN 2353 	4	5	M12x1,5	6	67	10	22
6		6	M14x1,5	8	67	10	22	0,3
8		8	M16x1,5	10	71	11	22	0,3
10		8	M18x1,5	12	71	11	22	0,3
10		10	M18x1,5	12	75	11	27	0,5
13		10	M22x1,5	15	77	12	27	0,5
13		13	M22x1,5	15	84	12	30	0,6
16		13	M26x1,5	18	84	12	30	0,6
13**		13	M22x1,5	15	83	12	32	0,75
16**		15	M26x1,5	18	83	12	32	0,75
20		20	M30x2	22	102	14	41	1,5
25		24	M36x2	28	108	14	46	2
32		24	M45x2	35	114	16	50	2,1
40	24	M52x2	42	114	16	55	2,2	
04* For compression fitting heavy series DIN 2353 	4	5	M16x1,5	8	73	12	22	0,35
	6	6	M18x1,5	10	73	12	22	0,35
	8	8	M20x1,5	12	76	12	22	0,35
	10	10	M22x1,5	14	84	14	27	0,5
	13	13	M24x1,5	16	87	14	30	0,6
	16	13	M30x2	20	91	16	30	0,65
	13**	13	M24x1,5	16	87	14	32	0,75
	16**	15	M30x2	20	91	16	32	0,75
	20	20	M36x2	25	110	18	41	1,5
	25	24	M42x2	30	120	20	46	2,1
32	24	M52x2	38	125	22	55	2,3	

* For PN max. see the dates from the compression fitting manufacturer.

** Body DN 16/ball LW 15.

Other connections on request.
Measurements subject to alteration.

All Valves are to DIN standards.

P
A
G
E

BACK TO

CATALOGUE

PISTER

Ball Valves Block-Type BKH

Body					Steel	Steel	Steel
Ball:					Steel nickel pl.	Steel nickel pl.	Steel nickel pl.
Stem:					Steel zinc pl.	Steel zinc pl.	Steel zinc pl.
Ball sealing:					Polyamide	PTFE (to 10 bar)	PTFE (to 100 bar)
Steam sealing:					NBR	FKM	EPDM
Connection	DN	LW	D	RA	Hydraulic	Slightly corrosive	Hot water and
	mm	mm		mm	Standard version	Media	Steam
					-10°C to +100°C	-10°C to +100°C	-10°C to +140°C
01	4	5	G 1/8	-	BKH G 1/8 081113	BKH G 1/8 081145	BKH G 1/8 081146
BSP Female	6	6	G 1/4	-	BKH G 1/4 081113	BKH G 1/4 081145	BKH G 1/4 081146
DIN/ISO 228	8	8	G 3/8	-	BKH G 3/8 081113	BKH G 3/8 081145	BKH G 3/8 081146
	10	10	G 3/8	-	BKH G 3/8 101113	BKH G 3/8 101145	BKH G 3/8 101146
	13	13	G 1/2	-	BKH G 1/2 131113	BKH G 1/2 131145	BKH G 1/2 131146
	16	15	G 5/8	-	BKH G 5/8 161113	BKH G 5/8 161145	BKH G 5/8 161146
	20	20	G 3/4	-	BKH G 3/4 201113	BKH G 3/4 201145	BKH G 3/4 201146
	25	24	G 1	-	BKH G1 251113	BKH G1 251145	BKH G1 251146
	32	24	G 1 1/4	-	BKH G 1 1/4 251113	BKH G 1 1/4 251145	BKH G 1 1/4 251146
	40	24	G 1 1/2	-	BKH G 1 1/2 251113	BKH G 1 1/2 251145	BKH G 1 1/2 251146
02	4	5	1/8-27 NPT	-	BKH 1/8 NPT 081113	BKH 1/8 NPT 081145	BKH 1/8 NPT 081146
NPT female thread	6	6	1/4-18 NPT	-	BKH 1/4 NPT 081113	BKH 1/4 NPT 081145	BKH 1/4 NPT 081146
ANSI B 2.1	10	10	3/8-18 NPT	-	BKH 3/8 NPT 101113	BKH 3/8 NPT 101145	BKH 3/8 NPT 101146
	13	13	1/2-14 NPT	-	BKH 1/2 NPT 131113	BKH 1/2 NPT 131145	BKH 1/2 NPT 131146
	20	20	3/4-14 NPT	-	BKH 3/4 NPT 201113	BKH 3/4 NPT 201145	BKH 3/4 NPT 201146
	25	24	1-11,5 NPT	-	BKH 1 NPT 251113	BKH 1 NPT 251145	BKH 1 NPT 251146
	32	24	1 1/4-11,5 NPT	-	BKH 1 1/4 NPT 251113	BKH 1 1/4 NPT 251145	BKH 1 1/4 NPT 251146
	40	24	1 1/2-11,5 NPT	-	BKH 1 1/2 NPT 251113	BKH 1 1/2 NPT 251145	BKH 1 1/2 NPT 251146
03	4	5	M12x1,5	6	BKH 6L 081113	BKH 6L 081145	BKH 6L 081146
For compression fitting	6	6	M14x1,5	8	BKH 8L 081113	BKH 8L 081145	BKH 8L 081146
light series DIN 2353	8	8	M16x1,5	10	BKH 10L 081113	BKH 10L 081145	BKH 10L 081146
	10	8	M18x1,5	12	BKH 12L 081113	BKH 12L 081145	BKH 12L 081146
	10	10	M18x1,5	12	BKH 12L 101113	BKH 12L 101145	BKH 12L 101146
	13	10	M22x1,5	15	BKH 15L 101113	BKH 15L 101145	BKH 15L 101146
	13	13	M22x1,5	15	BKH 15L 131113	BKH 15L 131145	BKH 15L 131146
	16**)	13	M26x1,5	18	BKH 18L 131113	BKH 18L 131145	BKH 18L 131146
	13**)	13	M22x1,5	15	BKH 15L 161113	BKH 15L 161145	BKH 15L 161146
	16	15	M26x1,5	18	BKH 18L 161113	BKH 18L 161145	BKH 18L 161146
	20	20	M30x2	22	BKH 22L 201113	BKH 22L 201145	BKH 22L 201146
	25	24	M36x2	28	BKH 28L 251113	BKH 28L 251145	BKH 28L 251146
	32	24	M45x2	35	BKH 35L 251113	BKH 35L 251145	BKH 35L 251146
	40	24	M52x2	42	BKH 42L 251113	BKH 42L 251145	BKH 42L 251146
04	4	5	M16x1,5	8	BKH 8S 081113	BKH 8S 081145	BKH 8S 081146
For compression fitting	6	6	M18x1,5	10	BKH 10S 081113	BKH 10S 081145	BKH 10S 081146
heavy series DIN 2353	8	8	M20x1,5	12	BKH 12S 081113	BKH 12S 081145	BKH 12S 081146
	10	10	M22x1,5	14	BKH 14S 101113	BKH 14S 101145	BKH 14S 101146
	13	13	M24x1,5	16	BKH 16S 131113	BKH 16S 131145	BKH 16S 131146
	16	13	M30x2	20	BKH 20S 131113	BKH 20S 131145	BKH 20S 131146
	13**)	13	M24x1,5	16	BKH 16S 161113	BKH 16S 161145	BKH 16S 131146
	16**)	15	M30x2	20	BKH 20S 161113	BKH 20S 161145	BKH 20S 161146
	20	20	M36x2	25	BKH 25S 201113	BKH 25S 201145	BKH 25S 201146
	25	24	M42x2	30	BKH 30S 251113	BKH 30S 251145	BKH 30S 251146
	32	24	M52x2	38	BKH 38S 251113	BKH 38S 251145	BKH 38S 251146

**) Body DN 16 / ball LW 15

Other material combinations as stainless steel on request.

BACK TO

CATALOGUE