

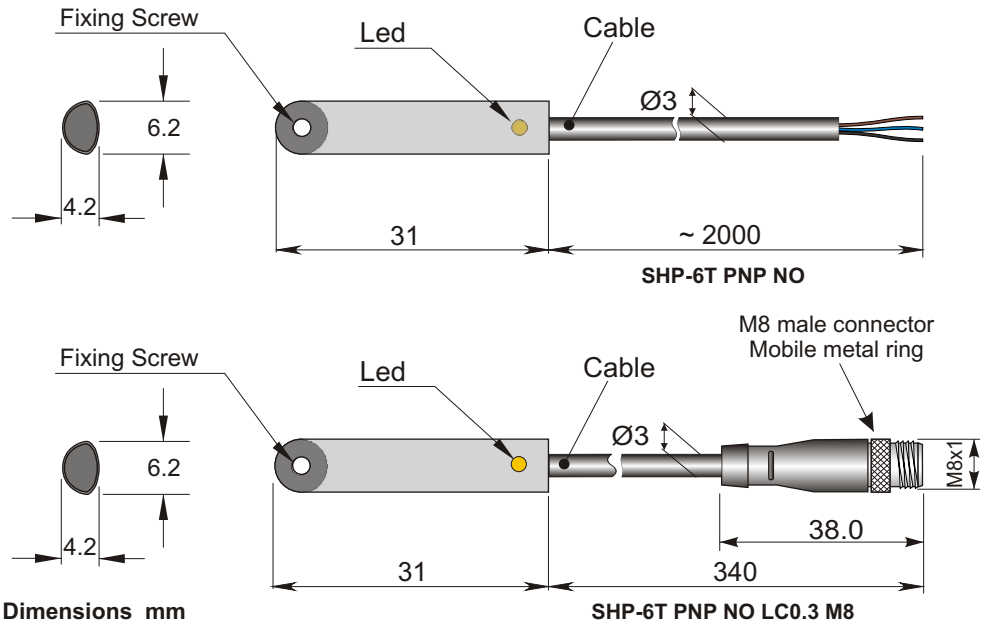


**MORE THAN SENSORS**

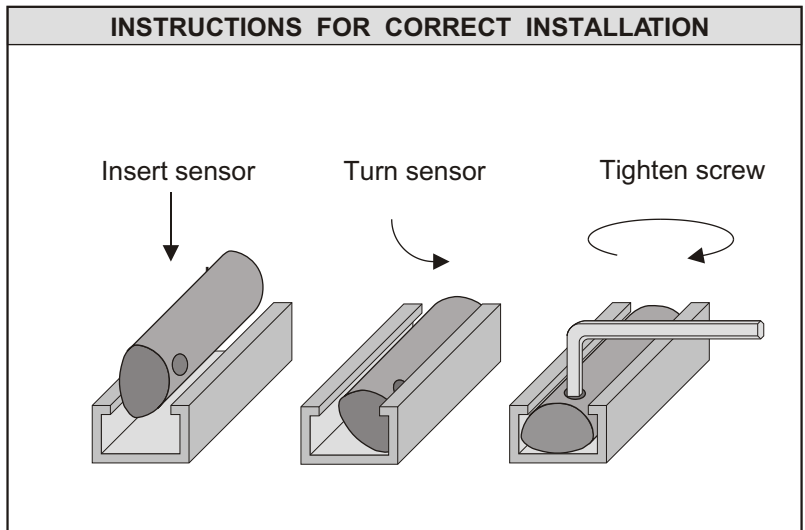
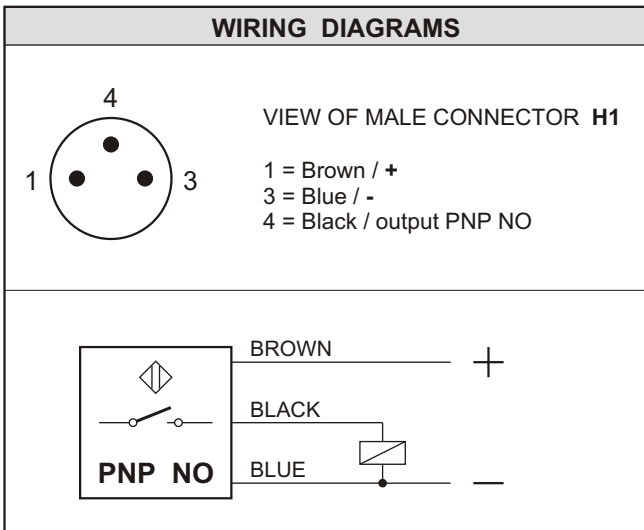


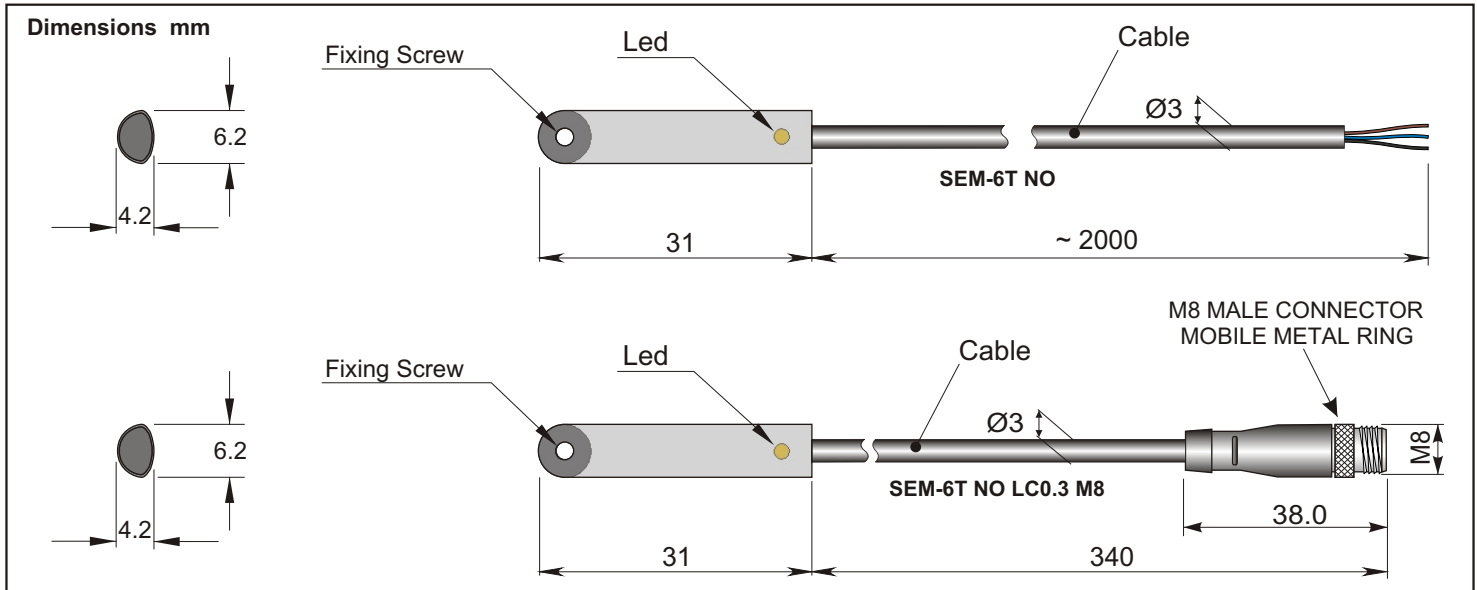
**SENSORI MAGNETICI PER CILINDRI  
MAGNETIC SENSORS FOR CYLINDERS**

The Aeco Magneto-Resistive sensors SHP series are particularly suitable for applications where is needed know the exact shaft positioning of a pneumatic cylinder .  
 To achieve this information the magnetic field generated by the permanent magnet in the cylinder is detected by means of a sensor fixed externally in the T slot.  
 When the magnet approaches the sensor a sensible component to the magnetic field contained in its electronics controls that a given value is reached.  
 When reaching such value the LED indicator and the sensor output activate signaling the final cylinder shaft position.

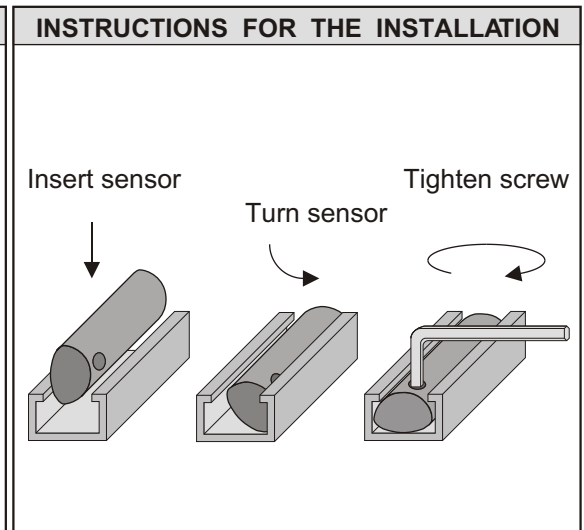
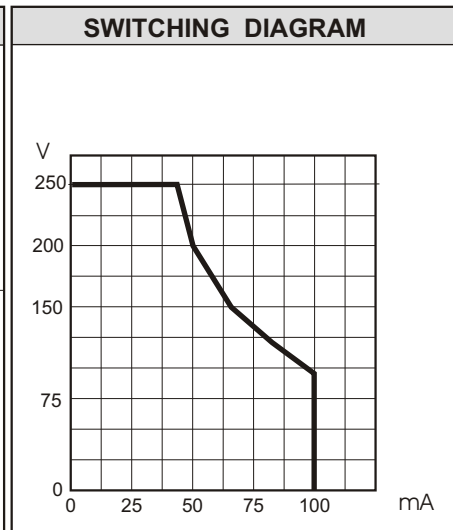
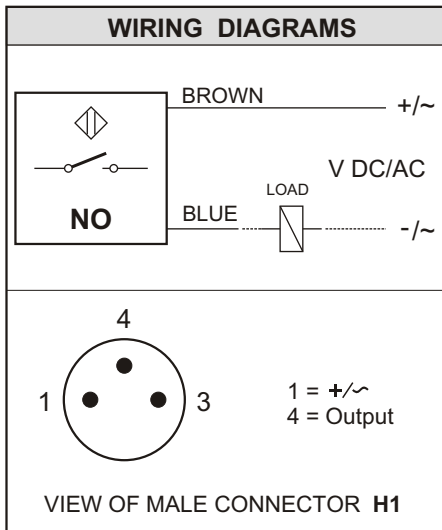


TECNICAL CHARACTERISTICS	SHP-6T PNP NO SEH000012	SHP-6T PNP NO LC0.3 M8 SEH000011	
	Response sensitivity	mT	≤ 2.8
Continuous voltage (res. ripple ≤10%)	V	10 ÷ 30	
Time delay before availability	ms	≤ 2	
Switching frequency	Hz	5000	
Hysteresis	mT	< 20%	
Repeatability	mT	≤ 0.1	
Max output current	mA	100	
Absorption at 24 Vdc	mA	< 12	
Voltage drop (sensor ON)	V	< 1.8	
Short circuit protection		INCORPORATED	
Led		INCORPORATED	
Temperature limits	°C	-25 ÷ +75	
IP rating	IP	67	
Housing		PLASTIC	
PVC cable	0.3m	-	3 x 0.14 mm <sup>2</sup> + CONN. H1
PVC cable	2m	3 x 0.094 mm <sup>2</sup>	-





TECNICAL CHARACTERISTICS	SEM-6T NO SEM000001	SEM-6T NO LC0.3 M8 SEM000002
Response sensitivity	mT	≤ 3
Continuous voltage (res. ripple ≤10%)	V	10V DC ÷ 250V AC/DC
Max. output current		40mA / 250V 100mA / 100V
Max. switching power	W/VA	10
Voltage drop (sensor ON)	V	< 2.7
Max. switching frequency	Hz	200
Hysteresis	mT	< 20%
Repeatability	mT	≤ 0.1 (at 25°C)
Sensing point		CENTER OF THE SENSOR
Short circuit protection		NOT INCORPORATED
Led		INCORPORATED
Temperature limits	°C	-25 ÷ +75
IP rating	IP	67
Housing		PLASTIC
PVC cable	2m	2 x 0.14 mm <sup>2</sup>
PUR cable	0.3m	2 x 0.14 mm <sup>2</sup> + CONN. H1



## MORE THAN SENSORS

La riproduzione del presente catalogo è VIETATA, la Società AECO si riserva di apportare alle proprie apparecchiature le modifiche necessarie, senza preavviso in qualsiasi momento.

*Reproduction of this catalog is PROHIBITED, the AECO Company reserves the right to make any necessary changes to its equipment without notice at any time.*



**MORE THAN SENSORS**

**AECO s.r.l.**

Via G. Leopardi, 5 - 20065 Inzago (Milano) ITALY  
Tel. ++39 02 954381 - Fax ++39 02 9548528

email: [mv.italy@aecosensors.com](mailto:mv.italy@aecosensors.com)  
email: [mv.export@aecosensors.com](mailto:mv.export@aecosensors.com)

[www.aecosensors.com](http://www.aecosensors.com)