



## Diaphragm seal MD 30 standard version with threaded connection



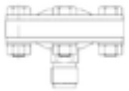
### Benefits

- Can be disassembled and cleaned
- Applications up to 250 bar
- Welded diaphragm
- Many process connections available

### Application

For mounting to Bourdon tube pressure gauges, pressure transducers or pressure switches. For corrosive, viscous, polluted or hot media.

### Versions

	Process connection	Instrument connection	Nominal pressure	Minimum range* (in bar) at nominal size				Part no.
				63	100	160	DMU	
	G½B	Welded connection	PN 25	0.6 bar	0.6 bar	0.6 bar	0.6 bar	31417W
	G½B	Welded connection	PN 100	0.6 bar	0.6 bar	0.6 bar	0.6 bar	31331W
	G½B	Welded connection	PN 250	0.6 bar	0.6 bar	0.6 bar	0.6 bar	31332W

Blue part no. = in-stock items



## Technical specifications

### Process connection/lower body

Stainless steel 316 L  
G $\frac{1}{2}$ B

### Diaphragm

Stainless steel 316 L

### Seal

FKM (Viton)

### Instrument connection

Stainless steel 316 L  
Welded connection

### Retaining flanges

Stainless steel 316 L

### Spacer ring

PN 100: Stainless steel 316 L

### Screws and nuts

Stainless steel 304

### Pressure transmission liquid

Paraffin oil (FM 09), FDA-listed

### Pressure range

See ordering table

### Nominal pressure

PN 25, PN 100, PN 250

## Options

### Process connection/lower body

- Special materials/coatings
- Other connection threads

### Diaphragm

- Special materials/coatings

### Seal

- Other materials

### Instrument connection/upper body

- Adapter for instrument connection G $\frac{1}{4}$ B/G $\frac{1}{2}$ B
- Cooling element (> 100 °C)
- Capillary tube

### Screws/nuts/spacer ring

- Other materials

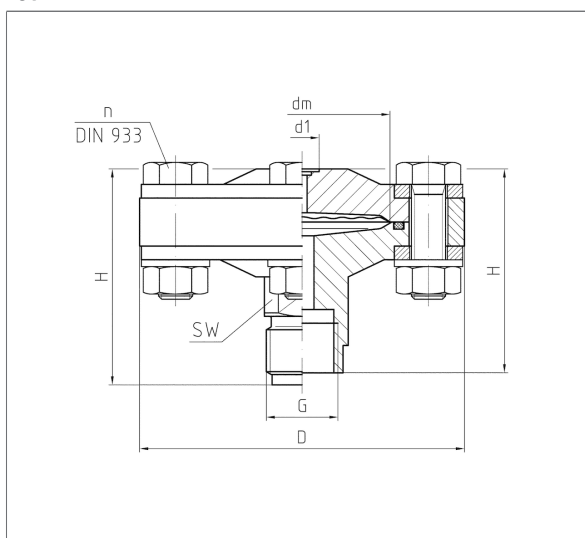
### Other

- Other filling liquids



## Technical drawings

### Type MD 30



G	d1	PN	dm	D	H	n	SW
G½	10	25	36	95	60	4xM10	22
G½B	10	25	36	95	63	4xM10	22
½-14NPT	10	25	36	95	63	4xM10	22
G½	10	100	36	95	60	4xM10	22
G½B	10	100	36	95	63	4xM10	22
½-14NPT	10	100	36	95	63	4xM10	22
G½	10	250	56	95	56	8xM10	22
G½B	10	250	56	95	79	8xM10	22
½-14NPT	10	250	56	95	76	8xM10	22