

# Preparation unit—GA Series

## GAL100 Series Lubricator



### Symbol



### Specification

| Model                 | GAL100M5                | GAL10006 |
|-----------------------|-------------------------|----------|
| Fluid                 | Air                     |          |
| Port size [Note1]     | M5                      | 1/8"     |
| Pressure range        | 0.05~0.9MPa(7~130psi)   |          |
| Proof pressure        | 1.5MPa(215psi)          |          |
| Temperature range     | -5~70°C(Unfreeze)       |          |
| Recommended lubricant | ISO VG 32 or equivalent |          |
| Capacity of oil bowl  | 9CC                     |          |
| Weight                | 59g                     |          |

[Note1] PT thread, G thread and NPT thread are available.

### Ordering code

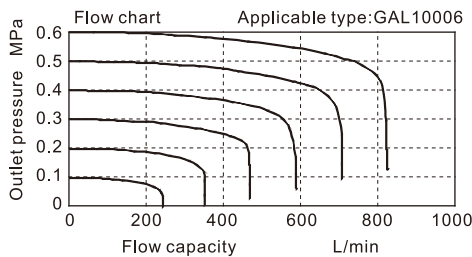
GAL100 □ 06 J G

① ② ③ ④ ⑤

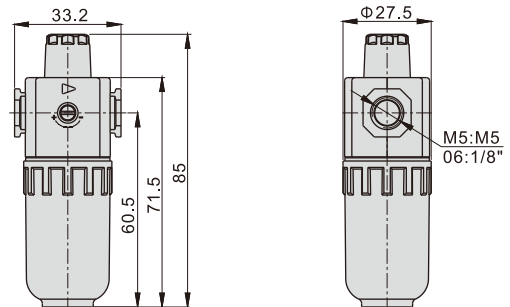
| ① Model                  | ② Bowl material | ③ Port size        | ④ Accessories  | ⑤ Thread type[Note1]        |
|--------------------------|-----------------|--------------------|----------------|-----------------------------|
| GAL100: GA100 Lubricator | Blank : PC      | M5: M5<br>06: 1/8" | J : No bracket | Blank: PT<br>G: G<br>T: NPT |

[Note 1] Standard M5 thread is blank here.

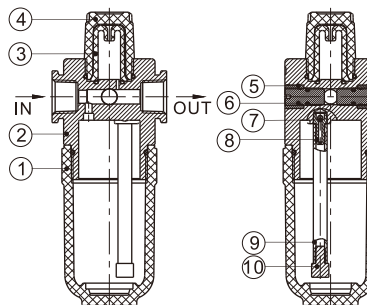
### Flow chart



### Dimensions



### Inner structure



| No. | Item             | Material        |
|-----|------------------|-----------------|
| 1   | Oil bowl         | PC              |
| 2   | Body             | Aluminum alloy  |
| 3   | Drip pipe        | PC              |
| 4   | Sight window     | PC              |
| 5   | Adjusting screw  | Brass           |
| 6   | Fixing nut       | Aluminum alloy  |
| 7   | Steel ball       | Stainless steel |
| 8   | Tube nozzle      | Aluminum alloy  |
| 9   | Tube             | PU              |
| 10  | Lubricant filter | Sintered bronze |