



**EVI 9S**

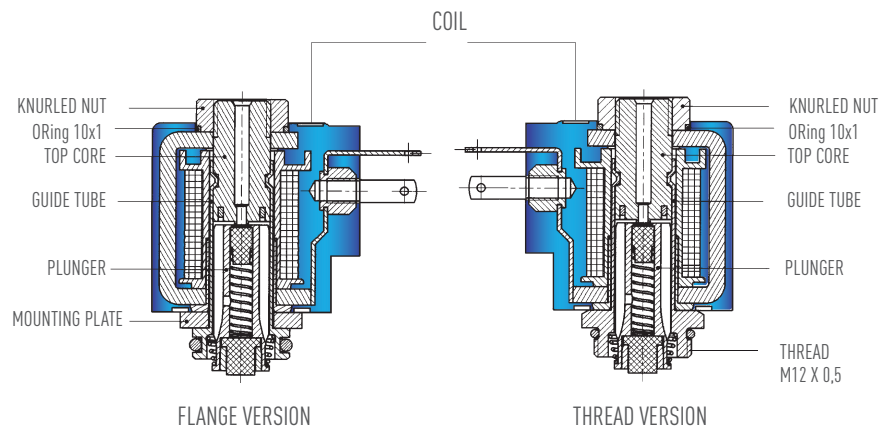
17 mm Solenoid System

# EVI 9S

## Solenoid System

The EVI 9S system by AMISCO includes a wide range of solenoid operators designed for pneumatic valves. All solenoids of this system have the guide tube with a diameter of 8 mm. The system is designed for use with air.

Please contact Amisco for use with other media.



### COIL

The coil is available with different electrical terminations. Types, power and other characteristics are described in the following pages. All coils feature:

- heat resistant bobbin moulded with 30% glass filled thermoplastic polyester material
- class H wire 200°C according to IEC 60317/13
- built-in magnetic yoke made by low carbon iron
- flux ring for increased performances
- encapsulation with high quality specially designed glass filled nylon.

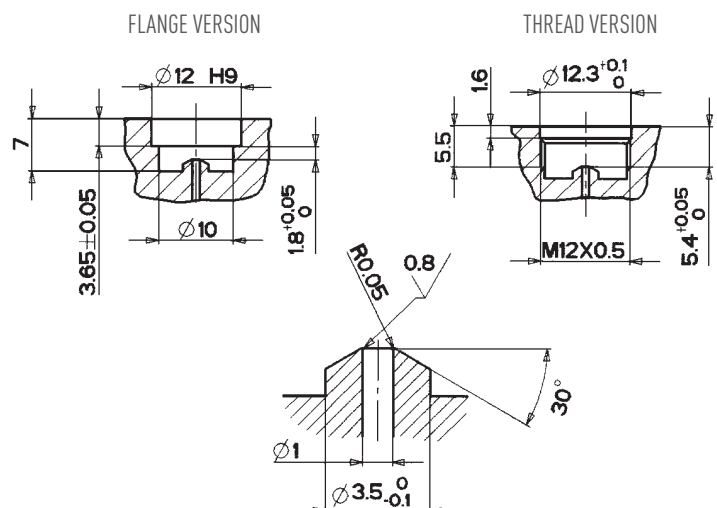
The use of other materials is possible upon special agreements. Coils are rated to class F. The coil is designed and constructed in accordance to EN 60335 and VDE 0580 and it is suitable for industrial ambient conditions. For use in different ambients with high humidity, please, take contact with Amisco. Copper and plastic materials used are UL-Listed.

### SOLENOID OPERATOR

Plunger and core are made by a magnetic stainless steel specially designed for solenoid applications. The guide tube is made by brass (stainless steel is possible upon special agreement). The plunger is normally equipped with NBR rubber seals. Other materials like FKM are available upon request. The armature assembly is designed for more than 50 million cycles.

### COMPLETE SOLENOID OPERATOR

The coil is fastened to the plungerguide tube by means of a knurled nut for ease of change over without interrupting the pneumatic circuit. The plungerguide tube is fixed to the valve body either by means of a M12x0.5 thread (thread version) or by a mounting plate with screws (flange mounting version). Amisco doesn't supply the plate. The suggested interface dimensions of the valve body are shown on the right side. Any change to the prescribed dimensions can effect the performances of the solenoid operator.



The specifications and drawings contained herein are believed to be correct and are given in good faith, however no liability is accepted therefore. Manufacturer reserves the right to modify said specifications and drawings without notice for technical or commercial reasons.

## SOLENOID SYSTEMS

for 2/2 and 3/2 way normally closed and normally open valves

### Coil EVI 9

Electrical termination	Part Number	Characteristics	DC	AC (50 Hz)	AC (60 Hz)
Terminals AMP 2.8x0.5 width 9,4 mm	0908S...	Rated power DC            W	2.5		
Terminals DIN 43650 C width 8,0 mm	0908D...	Inrush power AC            VA		4.8	4
Flying leads	0908C...	Rated power AC            VA		3.6	3
		Coil temperature rise @ 50°C ambient T	57	62	52
		Copper temperature rise @ 50°C ambient T	60	70	60

### Operator S7

Type	Part Number	Characteristics	DC	AC (50 Hz)	AC (60 Hz)
3/2 way NC Flange 3/2 way NC Thread	07L... 07F...	Inlet orifice Ø            mm	1	1	1
		Exhaust orifice Ø        mm	1.2	1.2	1.2
		Working pressure        bar	0-10	0-10	0-10
2/2 way NC Flange 2/2 way NC Thread	07L... 07F...	Inlet orifice Ø            mm	1	1	1
		Working pressure        bar	0-10	0-10	0-10
3/2 way NO Flange (inlet from the top) 3/2 way NO Thread (inlet from the top)	07L... 07F...	Inlet orifice Ø            mm	1.2	1.2	1.2
		Working pressure        bar	0-10	0-10	0-10

#### Note:

Voltage tolerance:	± 10%
Coil Temperature Range:	-40°C ÷ +50°C
Operator Temperature Range:	-10°C ÷ +50°C
Duty cycle:	100%

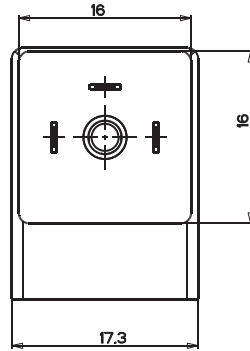
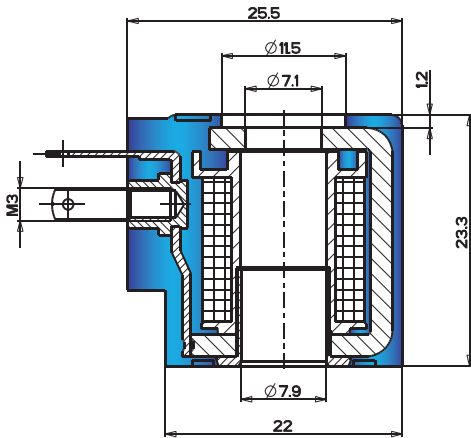
Standard voltages:	24 - 110 - 230 VAC
	12 - 24 VDC
	Other voltages on request

For different orifice sizes and pressures contact AMISCO.

## EVI 9 AMP 2.8 x 0.5

PART NUMBER 0908S...

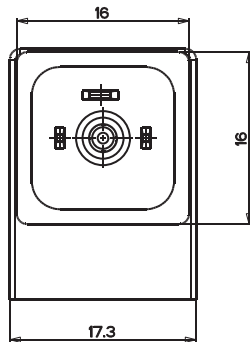
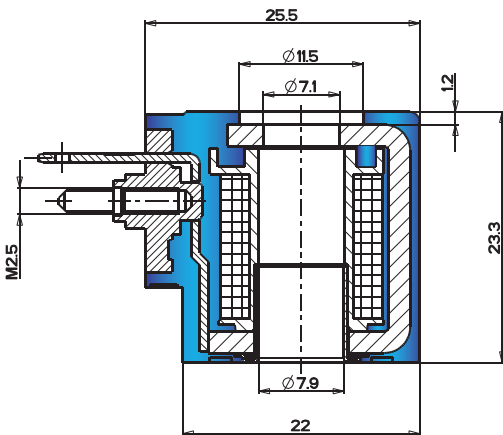
M3 Torque 0.4 ÷ 0.6 Nm



## EVI 9 DIN 43650-C (EN 175301-803 ISO 4400)

PART NUMBER 0908D...

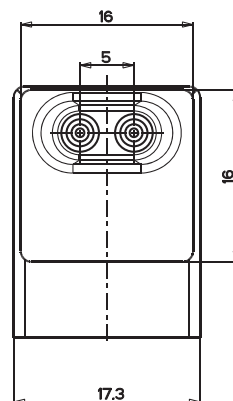
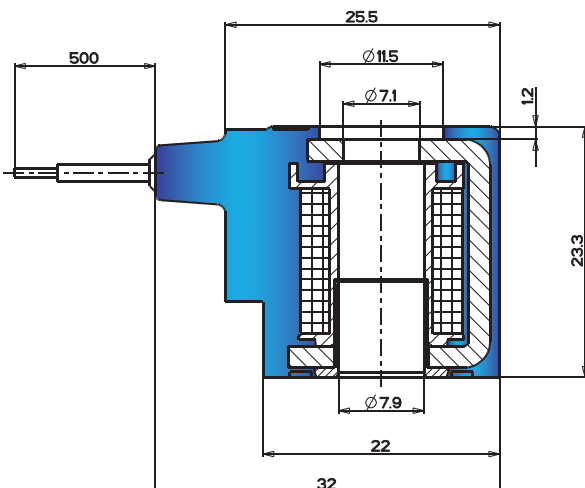
M2.5 Torque 0.4 ÷ 0.6 Nm



## EVI 9 Flying Leads

PART NUMBER 0908C...

500 mm flying leads as a standard, AWG 24



# COIL CODING SPECIFICATIONS

PART NUMBER: **0 9 0 8 Y K 5 5 5 4 4 \* \***

## ELECTRICAL CONNECTION

S = AMP 2,8x0,5  
 D = DIN 43650 C  
 C = Flying leads

## SUPPLY CURRENT

A = Alternating current (A.C.)  
 D = Direct current (D.C.)  
 R = Rectified alternating current (R.A.C.)

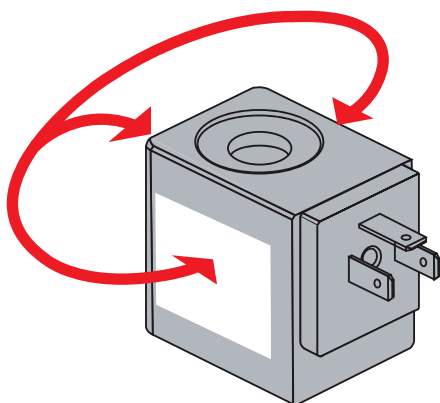
## NOMINAL VOLTAGE

Example: 024 = 24V  
 220 = 220 V

## EVI 9S WINDING CODE

Nominal Voltage	Power	Winding Code
12VDC	2.5W	01
24VDC	2.5W	01
24VAC	3.6VA	02
110VAC	3.6VA	02
230VAC	3.6VA	01

Alternative possibilities for  
**CUSTOMER LOGO**



## MARKING

ZN = Standard - no logo  
 AM = Standard + Amisco logo  
 ... = customized coil

# OPERATOR CODING SPECIFICATIONS

**PART NUMBER:**

**0 7 X A A A A A R 9 C Z K**

**TYPE**

L = Flange  
F = Thread

**DRAWING NUMBER**

07 L 3/2 NC = 05480  
07 F 3/2 NC = 06260

**SUPPLY CURRENT**

A = Alternating current (A.C.)  
D = Direct current (D.C.)

**FUNCTION**

2 = 2/2 way  
3 = 3/2 way

**FUNCTION**

C = Normally closed  
O = Normally open

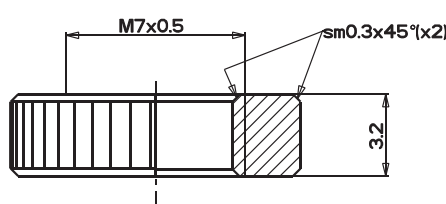
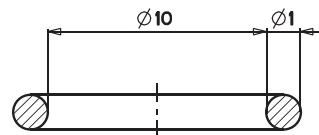
**SEALS**

N = NBR  
V = FKM

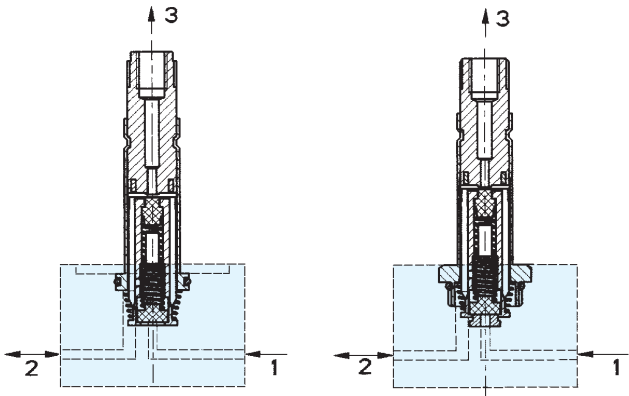
**FASTENING SYSTEM**

N = Without fastening system. Fastening nuts to be ordered separately as below.

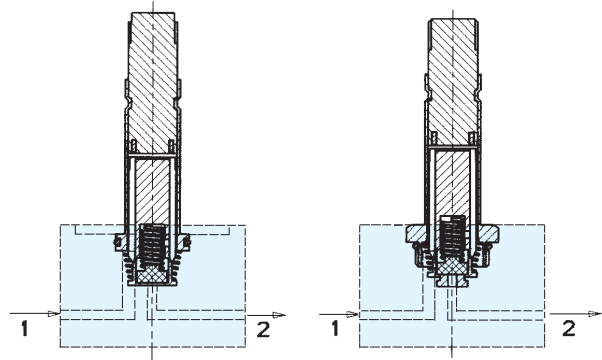
**FASTENING NUTS** (Note: tightening torque 0.4 ÷ 0.6 Nm)

Knurled nut	P/N 540864	
O-ring 10 x 1	P/N 500352 NBR P/N 500365 FKM	

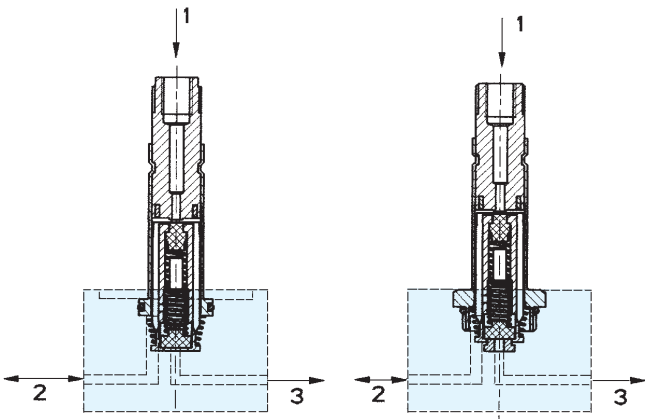
# EXAMPLES OF MAIN APPLICATIONS



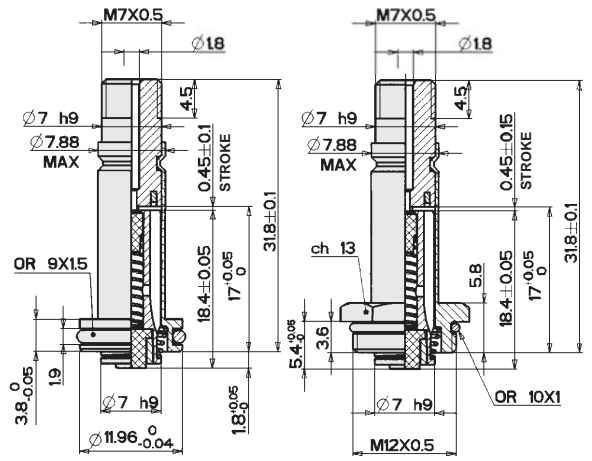
3/2 NC



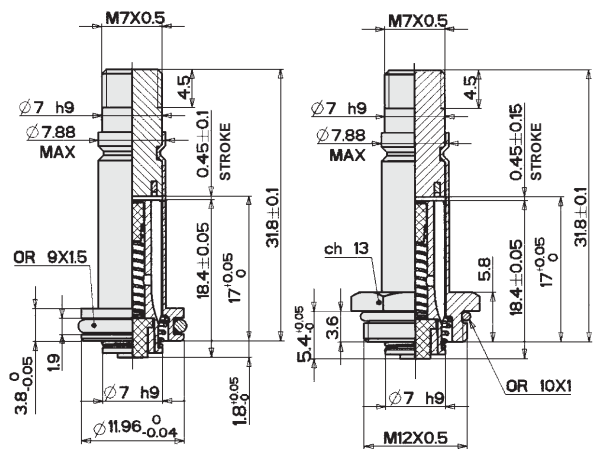
2/2 NC



3/2 NO




3/2 OPERATOR




2/2 OPERATOR

# Certifications



EU DECLARATION OF CONFORMITY



We declare under our sole responsibility that the electric coils and pilot valves families named:

- EVI 3
- EVI 5
- EVI 7
- EVI 9
- EVI 30
- 10 mm
- 15 mm

Marked with Amisco logo and CE marking are in conformity with the following directives:

**2011/65/EU (and its amendment 2015/EU/863)**  
on the restriction of the use of certain hazardous substances in electrical and electronic equipment


**2014/35/EU**  
on the harmonisation of the laws of the Member States relating to the making available on the market of electrical equipment designed for use within certain voltage limits

---

For the evaluation of the conformity, the following standards, or part of them, has been consulted:

**EN 60335/1: 2020** - Household and similar electrical appliances - Safety - Part 1: General requirements  
**DIN VDE 0580: 2011** - Electromagnetic devices and components


Filippo Rotondo  
Amisco Technical Division Director




April 07, 2022

---

Amisco S.p.A.  
Via Piaggio 70, 20037, Paderno Dugnano (Italy)  
Phone: +39 02 9900181  
E-mail: [amisco@amisco.it](mailto:amisco@amisco.it)  
Website: [www.amisco.it](http://www.amisco.it)



UKCA Declaration of Conformity



We declare under our sole responsibility that the electric coils and pilot valves families named:

- EVI 3
- EVI 5
- EVI 7
- EVI 9
- EVI 30
- 10 mm
- 15 mm

Marked with Amisco logo and UKCA marking are in conformity with to the following directives:

**SI 2012/3032**  
The Restriction of the Use of Certain Hazardous Substances in Electrical and Electronic Equipment Regulations 2012

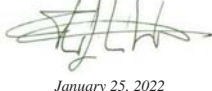
**SI 2016/1101**  
Electrical Equipment (Safety) Regulations 2016

---

For the evaluation of the conformity, the following standards, or part of them, has been consulted:

**EN 60335/1: 2020** - Household and similar electrical appliances - Safety - Part 1: General requirements  
**DIN VDE 0580: 2011** - Electromagnetic devices and components

Filippo Rotondo  
Amisco Technical Division Director



January 25, 2022

---

Amisco S.p.A.  
Via Piaggio 70, 20037, Paderno Dugnano (Italy)  
Phone: +39 02 9900181  
E-mail: [amisco@amisco.it](mailto:amisco@amisco.it)  
Website: [www.amisco.it](http://www.amisco.it)

## Certificate of Compliance

Certificate Number 20101224-E343908

Page 1 of 1

Report Reference E343908, 2010 December 23



Issue Date 2010 December 24

**Issued to: AMISCO SPA**

VIA PIAGGIO 70  
20037 PADERNO DUGNANO MI ITALY

*This is to certify that representative samples of* **SYSTEMS, ELECTRICAL INSULATION**  
Class 155(F) insulation system, designated AMIF.

*Have been investigated by Underwriters Laboratories Inc.® (UL) or any authorized licensee of UL in accordance with the Standard(s) indicated on this Certificate.*

**Standard(s) for Safety:** UL 1446, STANDARD FOR SYSTEMS OF INSULATING MATERIALS - GENERAL, Edition 6

**Additional Information:** See UL On-Line Certification Directory at [www.UL.com](http://www.UL.com) for additional information.

Only those products bearing the UL Recognized Component Mark should be considered as being covered by UL's Recognition and Follow-Up Service.

The UL Recognized Component Mark generally consists of the manufacturer's identification and catalog number, model number or other product designation as specified under "Marking" for the particular Recognition as published in the appropriate UL Directory. As a supplementary means of identifying products that have been produced under UL's Component Recognition Program, UL's Recognized Component Mark, , may be used in conjunction with the required Recognized Marks. The Recognized Component Mark is required when specified in the UL Directory preceding the recognitions or under "Markings" for the individual recognitions.

Look for the UL Recognized Component Mark on the product

**William R. Carney**  
Director, North American Certification Programs  
Underwriters Laboratories Inc.





w w w . a m i s c o . i t



**AMISCO S.p.a.**  
Via Piaggio, 70  
20037 Paderno Dugnano (Mi)  
Italy

Tel. +39 02.99.00.181  
Fax +39 02.99.00.18.60  
amisco@amisco.it