

#### Overview

The Roda Deaco RB2A and RB3A are compact, butterfly-style air intake shutoff valves available with electrical or mechanical actuation. Actuation of the solenoid rapidly closes the valve's sealing element which shuts off intake air flow into the engine.

These models can be used in fully automatic or manual shutdown systems. When incorporating into an automatic overspeed shutdown system, these valves are compatible with the Revguard 2 Speed Switch.

We offer custom configurations to fit your specific applications. Our valves are tested to strict OEM standards for shock, corrosion, vibration and life cycle.

Standard sizes range from 1<sup>3</sup>/<sub>4</sub>" to 3". Additionally, we offer custom configurations to fit your specific applications, with a variety of different types of valves ranging in size from 1" to 14".

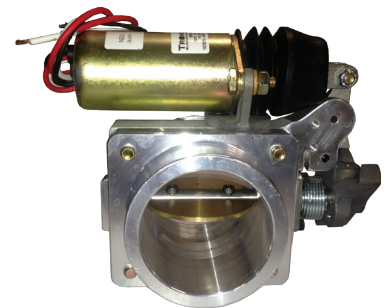
Please contact our customer service department to discuss your requirements.

#### Trusted Industry Experts

We are the leading provider of air intake shutoff valves and systems with manufacturing facilities in Canada, United Kingdom, China, and the United States to serve our global markets. Our success is driven by our people and their commitment to exceed customer expectations. We will help you find the right protection system for your diesel engine application.



RB2A



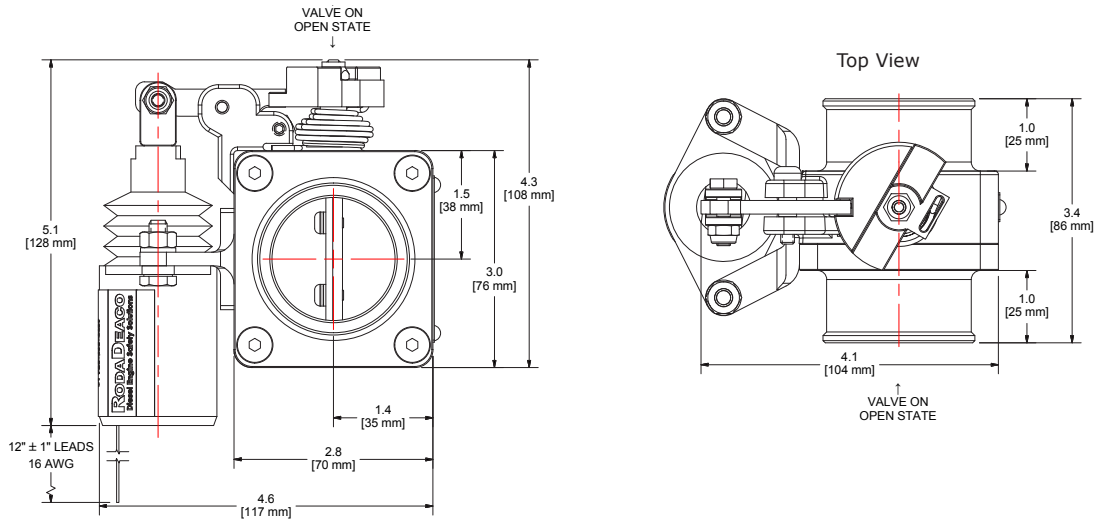
RB3A

#### Features and Benefits

- Compatible for modern low emission diesel engines
- Lightweight, compact design
- Easy to install and maintain
- Can be mounted post-intercooler on turbocharged engines
- Corrosion resistant aluminum construction
- Heavy duty stainless steel linkage
- High strength sealing disc
- Multiple actuation available
- Size range: 1 3/4" to 3"
- Custom engineered o-ring design on outer perimeter of disc for positive seal

#### Model RB2A

#### Dimensions

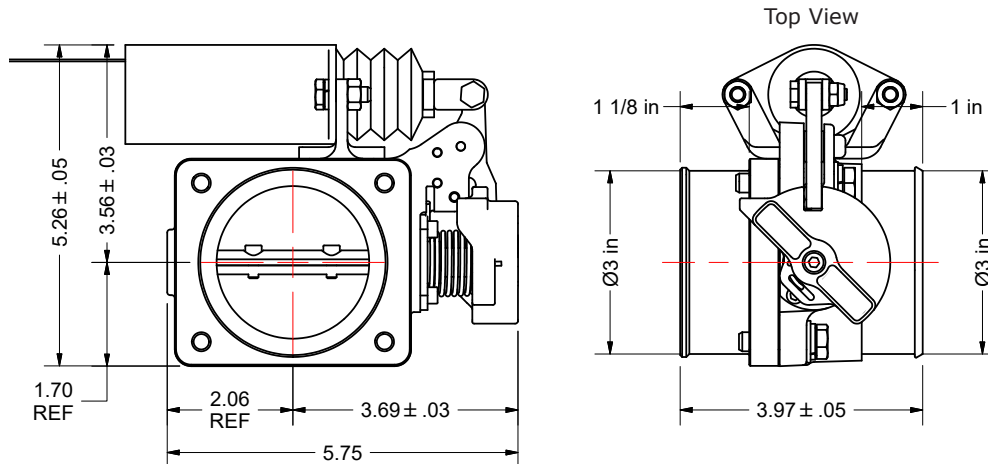


#### Specifications

<b>Standard materials</b>	Valve body	Aluminum
	Sealing element	Brass disc
	Seals	Viton/Silicone
	Actuator assembly	Plated steel/stainless steel/aluminum
<b>Net weights</b> (including actuator)	Standard solenoid actuated	3 lbs (1.4 kg)
<b>Intake air temp range</b>	Standard valve	-40°F to 257°F (-40°C to 125°C)
<b>Ambient air temp range</b>	Standard valve	-40°F to 257°F (-40°C to 125°C)
<b>Electric solenoid actuation</b> (standard solenoid)	Nominal 12 VDC power requirement	48 amp pull in
	Cycle rate	4 activations per minute
	Nominal 24 VDC power requirement	25 amp pull in
	Cycle rate	6 activations per minute

#### Model RB3A

#### Dimensions



#### Specifications

<b>Standard materials</b>	Valve body	Aluminum
	Sealing element	Brass
	Seals	Nitrile/Silicon
	Solenoid housing	Plated steel
<b>Net weights</b> (including actuator)	Manual actuated	2.5 lbs (1.5 kg)
	Standard solenoid actuated	4.5 lbs (2 kg)
<b>Intake air temp range</b>	Standard valve	-40°F to 257°F (-40°C to 125°C)
<b>Ambient air temp range</b>	Standard valve	-40°F to 257°F (-40°C to 125°C)
<b>Electric solenoid actuation</b> (standard solenoid)	Nominal 12 VDC power requirement	48 amp pull in
	Cycle rate	4 activations per minute
	Nominal 24 VDC power requirement	25 amp pull in
	Cycle rate	6 activations per minute
<b>Manual actuation</b>	Mechanical pull to release	15 lbs (67 Newton)

## Contact Information

---

### Americas

---

AMOT - USA  
Tel +1 (281) 940 1800  
Fax +1 (713) 559 9419  
customer.service@amot.com

Roda Deaco - Canada  
Tel +1 (780) 465 4429  
Fax +1 (780) 469 6275  
info@rodadeaco.com

### Asia Pacific

---

AMOT - China  
Tel +86 21 5910 4052  
Fax +86 21 5237 8560  
shanghai@amot.com

### Europe, Middle East and Africa

---

AMOT - UK  
Tel +44 (0) 1284 762222  
Fax +44 (0) 1284 760256  
info@amot.com

AMOT - Germany  
Tel +49 (0) 40 8537 1298  
Fax +49 (0) 40 8537 1331  
germany@amot.com



#### **WARNING**

This product can expose you to chemicals including Lead, which is known to the state of California to cause cancer and birth defects or other reproductive harm. For more information go to [www.P65Warnings.ca.gov](http://www.P65Warnings.ca.gov).