

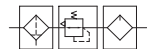
# AC/ BC/ CC series F.R.L. Combinations

## Product features

CHELIC



Symbol:



### Specification

| Item                          | Model                     | AC-150                                       | AC-200 | BC-200 | BC-300 | CC-400 | CC-600 |
|-------------------------------|---------------------------|--|--------|--------|--------|--------|--------|
| Fluid                         |                           | Air  |        |        |        |        |        |
| Port Size                     | Rc                        | 1/8  | 1/4    | 1/4    | 3/8    | 1/2    | 3/4    |
| Filter grade                  |                           | 5μm  |        |        |        |        |        |
| Pressure range                | Kgf/cm <sup>2</sup> (kpa) | 0.5~8.5 (50~850)                             |        |        |        |        |        |
| Max. pressure                 | Kgf/cm <sup>2</sup> (kpa) | 9.5 (950)                                    |        |        |        |        |        |
| Ambient and fluid temperature | °C                        | 5~60   |        |        |        |        |        |
| Bowl capacity                 | cc                        | 15   |        | 60     |        | 100    |        |
| Lubricator capacity           | cc                        | 25   |        | 90     |        | 160    |        |
| Recommended lubrication       |                           | Lubricant class 1 ( ISO-VG32 ) or equivalent |        |        |        |        |        |
| Weight                        | Kg                        | 0.7  |        | 1.3    |        | 1.5    |        |
| Material                      | Body                      | Aluminum die-casted                          |        |        |        |        |        |
|                               | Bowl                      | Relieving type/ Aluminum bowl guard          |        |        |        |        |        |
| Equipment                     | Filter                    | AF-150                                       | AF-200 | BF-200 | BF-300 | CF-400 | CF-600 |
|                               | Regulator                 | AR-150                                       | AR-200 | BR-200 | BR-300 | CR-400 | CR-600 |
|                               | Lubricator                | AL-150                                       | AL-200 | BL-200 | BL-300 | CL-400 | CL-600 |

### Pressure gauge ⑥

| Pressure gauge |        | Model      |            |            |            |            |            |
|----------------|--------|------------|------------|------------|------------|------------|------------|
| Code           | Model  | AC-150     | AC-200     | BC-200     | BC-300     | CC-400     | CC-600     |
| PG10A          | PG-10A | ● (option) | ● (option) | —          | —          | —          | —          |
| PG20A          | PG-20A | —          | —          | ● (option) | ● (option) | ● (option) | ● (option) |

### Accessory ⑧

| Indication |                 |              |              |              |
|------------|-----------------|--------------|--------------|--------------|
| Model      | None (standard) | -TA (option) | -TB (option) | -TM (option) |
| AC-150     | ●               | ●            | ●            | ●            |
| AC-200     | ●               | ●            | ●            | ●            |
| BC-200     | ●               | ●            | ●            | ●            |
| BC-300     | ●               | ●            | ●            | ●            |
| CC-400     | ●               | ●            | ●            | ●            |
| CC-600     | ●               | ●            | ●            | ●            |

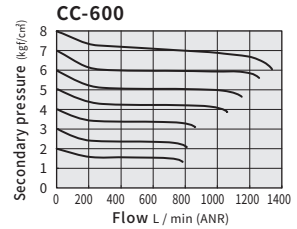
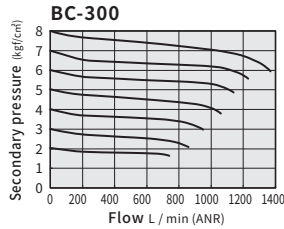
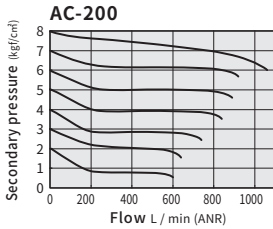
🔍 Note 1: (standard): Standard type; (option): Optional accessory.

# AC/ BC/ CC series F.R.L. Combinations

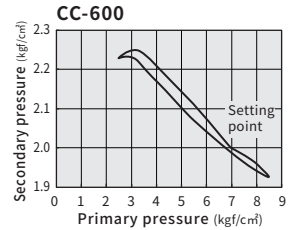
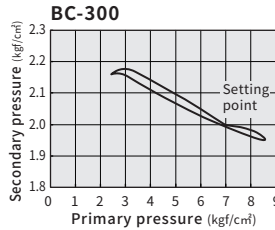
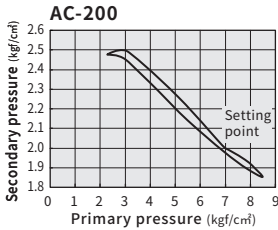
Product features/ Code of order

CHELIC

## Flow rate characteristic graph



## Pressure characteristics graph



## Code of order

AC - 200 - G - BG - A - F1 - PG 10A - L2 - TA

Model ①    Port size ②    Thread type ③    Bowl ④    Fitting ⑤    Pressure gauge ⑥    Max. adjustable pressure ⑦    Mounting ⑧

| Model | AC | BC | CC |
|-------|----|----|----|
|-------|----|----|----|

| Mark      | 150 | 200 | 300 | 400 | 600 |
|-----------|-----|-----|-----|-----|-----|
| Port size | 1/8 | 1/4 | 3/8 | 1/2 | 3/4 |

| Port connection | AC | BC | CC |
|-----------------|----|----|----|
|-----------------|----|----|----|

| None | RC | G | N |
|------|----|---|---|
| G    |    |   |   |
| N    |    |   |   |

| Bowl type             | None | Other bowl type |
|-----------------------|------|-----------------|
| PC (short bowl)       |      | option          |
| Bowl guard (standard) |      | option          |
| Bowl guard (standard) |      | option          |

※ Please see the below table in detail.

| None              | -F1    |
|-------------------|--------|
| Manual drain cock | option |
| option            | option |

※ Please see the below table in detail.

PG-10A Pressure gauge (option) ※ For A series

PG-20A Pressure gauge (option) ※ For B, C series

| None | standard 8.5 kg/cm <sup>2</sup> (AC Series) |
|------|---|
| L1   | 1 kg/cm <sup>2</sup> (AC Series)            |
| L2   | 2 kg/cm <sup>2</sup> (AC Series)            |
| L4   | 4 kg/cm <sup>2</sup> (AC, BC Series)        |

※ For A, B series

Mounting ⑧: TA (Top), TB (Bottom), TM (Top/Bottom)

※ F. R. L. Combination series  
AC: Mini type series  
BC: Medium type series  
CC: Large type series

## With Bowl and Drain cock type

## With Fitting - F1

## A series ④

| Drain cock type | PC bowl           |                       | Bowl guard        |                       |
|-----------------|-------------------|-----------------------|-------------------|-----------------------|
|                 | Manual drain cock | Differential pressure | Manual drain cock | Differential pressure |
| Model           | None              | -A                    | -BG-H             | -BG-A                 |
| AC-150          | ●(standard)       | ●(option)             | ●(option)         | ●(option)             |
| AC-200          | ●(standard)       | ●(option)             | ●(option)         | ●(option)             |

## B, C series ④

| Drain cock type | Bowl guard        |                |            |
|-----------------|-------------------|----------------|------------|
|                 | Manual drain cock | Semi-Automatic | Auto drain |
| Model           | -H                | -S             | -A         |
| BC-200          | ●(standard)       | ●(option)      | ●(option)  |
| BC-300          | ●(standard)       | ●(option)      | ●(option)  |
| CC-400          | ●(standard)       | ●(option)      | ●(option)  |
| CC-600          | ●(standard)       | ●(option)      | ●(option)  |

## A series ⑤

|               |   |                         |                         |                         |
|---------------|---|-------------------------|-------------------------|-------------------------|
| A series Note | - | ●(standard)             | ●(option)               | ●(standard)             |
| Note          |   | Note1 (Outside fitting) | Note1 (Outside fitting) | Note1 (Outside fitting) |

## B, C series ⑤

|                  |           |           |           |
|------------------|-----------|-----------|-----------|
| B, C series Note | ●(option) | ●(option) | ●(option) |
|------------------|-----------|-----------|-----------|

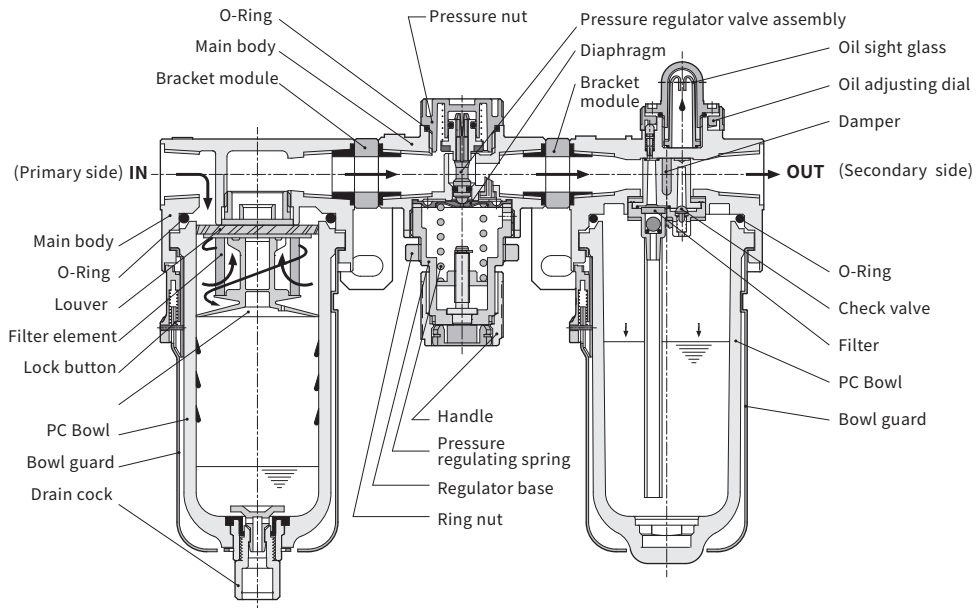
⑥ Note: 1. A series are outside fitting, others are inside fitting; please refer to P.1-1.06 auto drain construction.  
2. (standard): Standard accessory; (option): Optional accessory.

# AC/ BC/ CC series F.R.L. Combinations

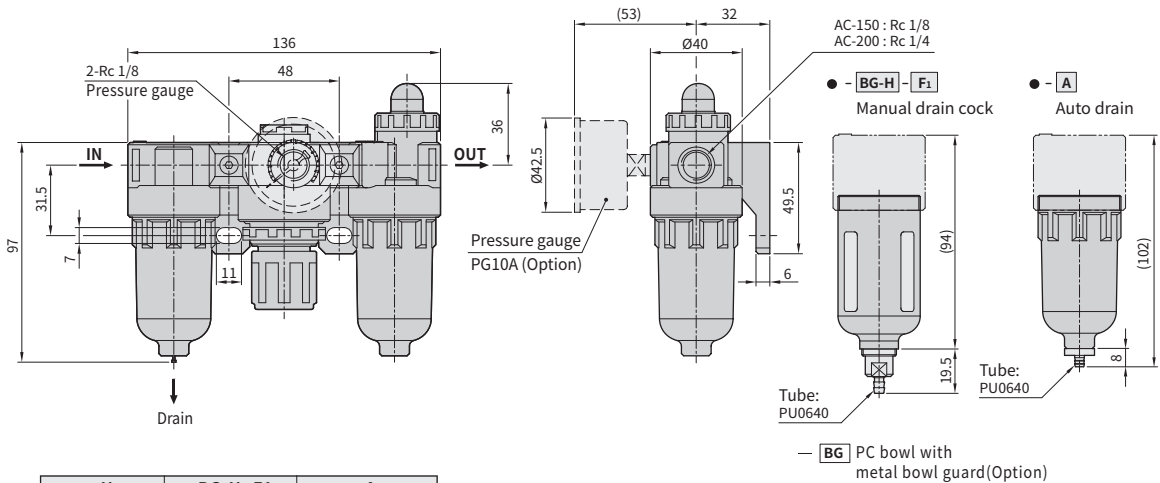
## Product features

CHELIC

### Internal construction



### AC - 150 Standard



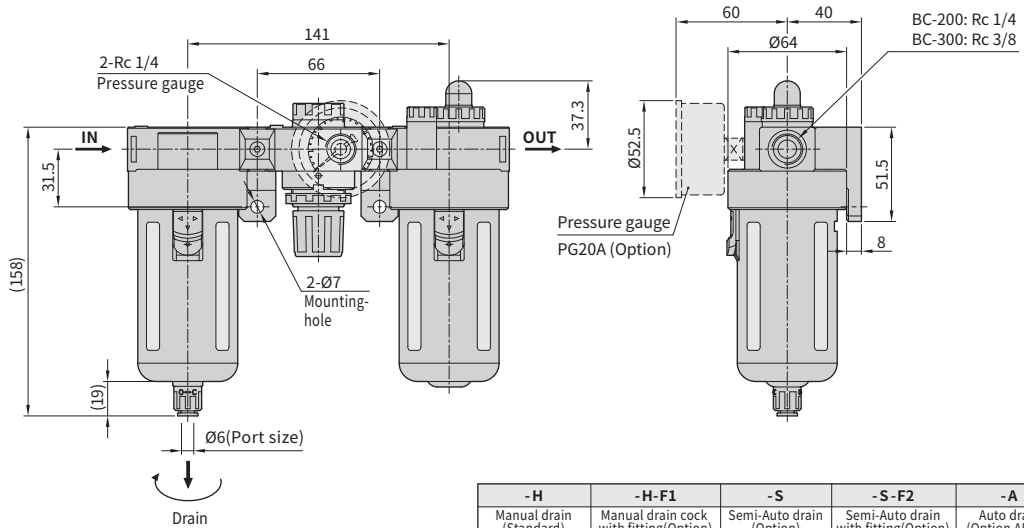
| - H                          | - BG-H - F1                                  | - A  |
|------------------------------|--|--|
| Manual drain cock (standard) | Manual drain cock (With bowl guard, Fitting) | Auto drain (Differential pressure should be above 1kg) |
|                              |  |  |

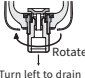
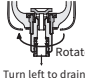
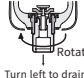
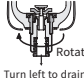

# AC/ BC/ CC series F.R.L. Combinations

## Dimensions

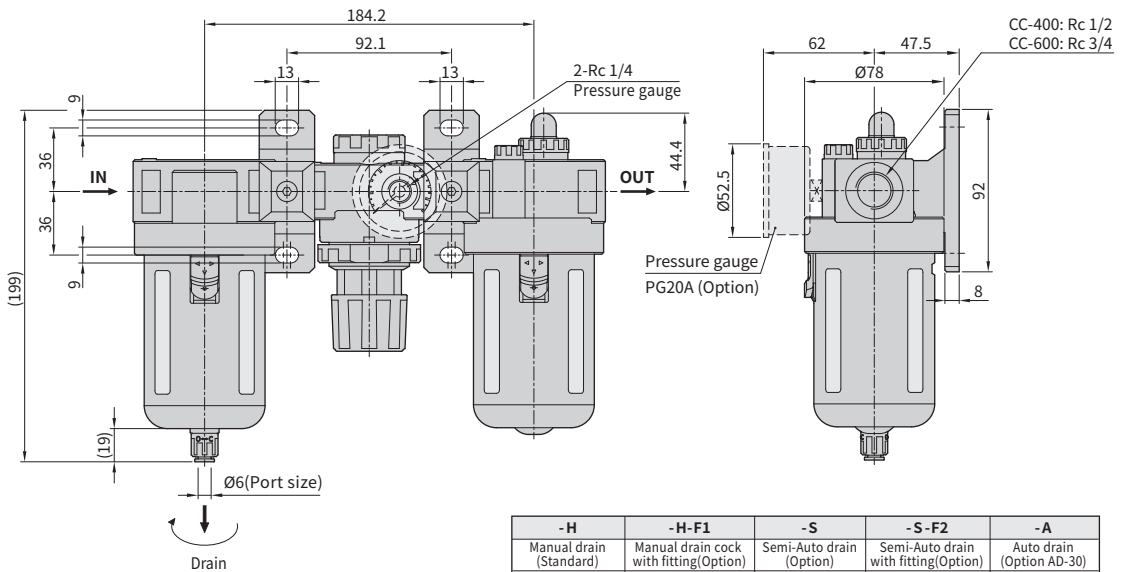
CHELIC

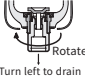
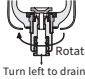
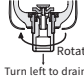
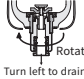

### BC - 200 - H Standard



| -H   | -H-F1  | -S   | -S-F2  | -A   |
|--|--|--|--|--|
| Manual drain (Standard)  | Manual drain cock with fitting (Option)  | Semi-Auto drain (Option)   | Semi-Auto drain with fitting (Option)  | Auto drain (Option AD-30)  |
|  |  |  |  |  |
| Rotate<br>Turn left to drain   | Rotate<br>Turn left to drain   | Rotate<br>Turn left to drain   | Rotate<br>Turn left to drain   |  |

### CC - 400 - H Standard



| -H  | -H-F1   | -S  | -S-F2   | -A  |
|---|---|---|---|---|
| Manual drain (Standard)   | Manual drain cock with fitting (Option)   | Semi-Auto drain (Option)  | Semi-Auto drain with fitting (Option)   | Auto drain (Option AD-30)   |
|  |  |  |  |  |
| Rotate<br>Turn left to drain  | Rotate<br>Turn left to drain  | Rotate<br>Turn left to drain  | Rotate<br>Turn left to drain  |   |

AC  
BC  
CC

AFC  
BFC  
CFC

FR

F

R

L

A/B/C

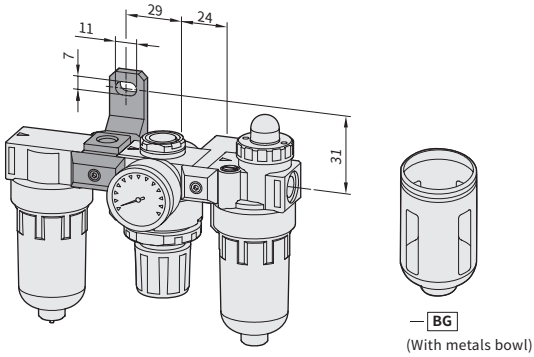
# AC/ BC/ CC series F.R.L. Combinations

## Mounting bracket

CHELIC

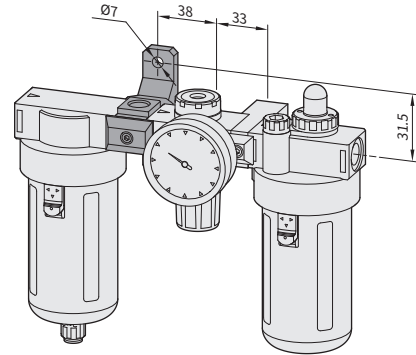
### AC - 150 - TA - H

Suitable for air gun operating



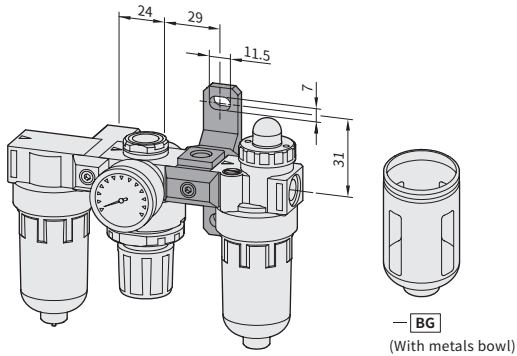
### BC - 200 - TA - H

Suitable for air gun operating



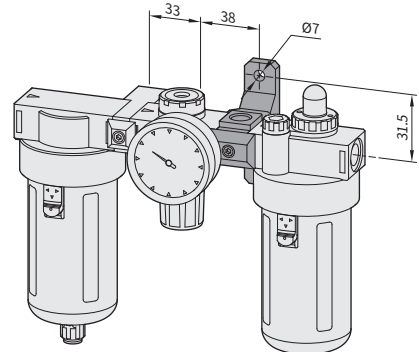
### AC - 150 - TB - H

Suitable for vacuum operating space



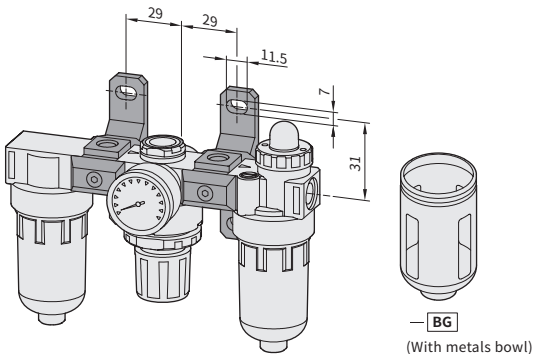
### BC - 200 - TB - H

Suitable for vacuum operating space



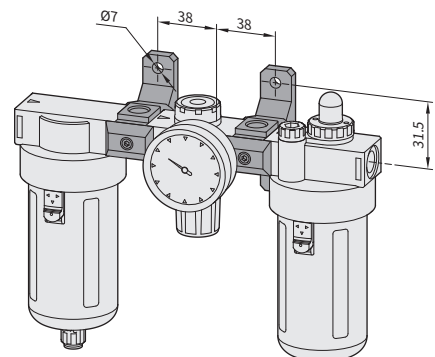
### AC - 150 - TM - H

Suitable for air gun + vacuum operating



### BC - 200 - TM - H

Suitable for air gun + vacuum operating



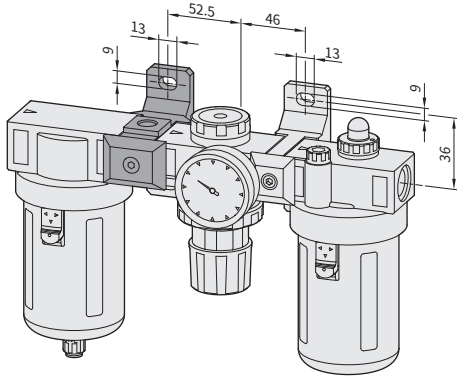
# AC/ BC/ CC series F.R.L. Combinations

## Mounting bracket

CHELIC

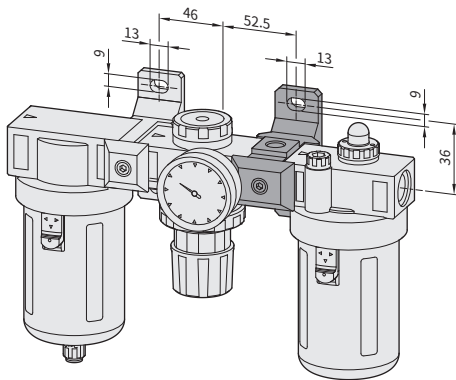
### ▶ CC - 400 - TA - H

Suitable for air gun operating



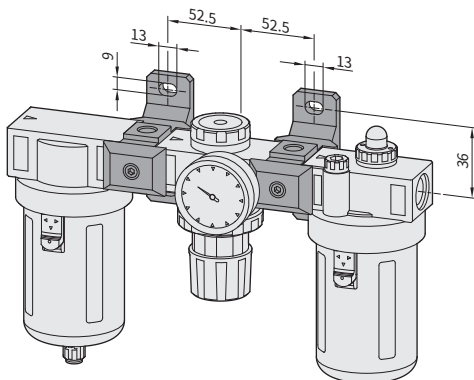
### ▶ CC - 400 - TB - H

Suitable for vacuum operating space



### ▶ CC - 400 - TM - H

Suitable for air gun + vacuum operating



AC  
BC  
CC

AFC  
BFC  
CFC

FR

F

R

L

A/B/C