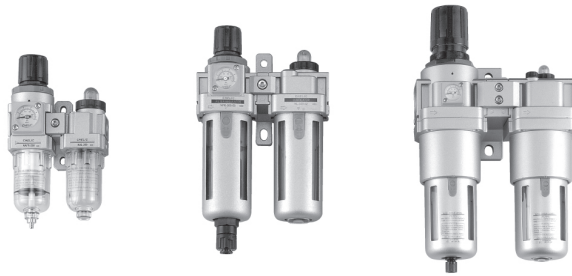


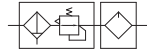
NFC series FR.L. Combinations

Product features

CHELIC



Symbol:



Specification

Item	Model	NFC-100	NFC-200	NFC-300	NFC-400	NFC-450	NFC-500
Fluid		Air					
Port size	M5/Rc/G/NPT	M5, 1/8	1/8, 1/4	1/4, 3/8	1/4, 3/8, 1/2	1/2, 3/4	3/4, 1
Filter grade	μm	5					
Pressure range	kgf/cm ² (kPa)	0.5 ~ 8.5 (50 ~ 850)					
Max. service pressure	kgf/cm ² (kPa)	9.5 (950)					
Temperature	°C	5 ~ 60					
Bowl capacity	cc	5	15	30	60	100	100
Lubricator capacity	cc	9	25	50	90	160	160
Recommended lubrication		First class Recommended lubricants (IOS-VG32) lubricant or equivalent					
Weight	kg	0.16	0.37	0.79	1.17	2.20	2.54
Material	Main body	Aluminum die cast					
	Bowl	Polycarbonate/ Aluminum bowl					
Equipment	Filter regulator	NFR-100	NFR-200	NFR-300	NFR-400	NFR-450	NFR-500
	Lubricator	NL-100	NL-200	NL-300	NL-400	NL-450	NL-500
Shell protection parts							

Pressure gauge & Pressure switch ⑥

Order Code	Pressure gauge			Pressure switch (option and additional)	
	PG5	PG10	PG22	NFC-□-41-02	NFC-□-41-04
Model No.	PG-05	PG-10	PG-22N	PSN-41-02	PSN-41-04
NFC-100	● (Standard)	—	—	—	—
NFC-200	—	● (Option)	● (Standard)	●	●
NFC-300	—	● (Option)	● (Standard)	●	●
NFC-400	—	● (Option)	● (Standard)	●	●
NFC-450	—	● (Option)	● (Standard)	●	●
NFC-500	—	● (Option)	● (Standard)	●	●

Combination structure ⑦

Model				
Order Code	None (Standard)	-TA (Option)	PN-100T (Option)	PN-300T (Option)
NFC-100	●	●	—	—
NFC-200	●	●	●	—
NFC-300	●	●	●	●
NFC-400	●	●	●	●
NFC-450	●	●	●	●
NFC-500	●	●	●	●

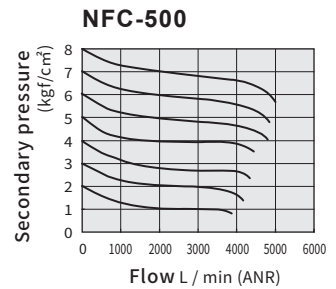
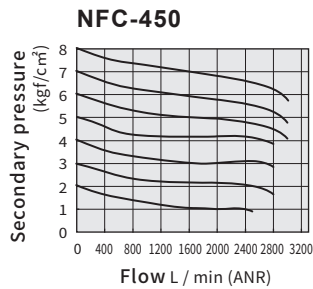
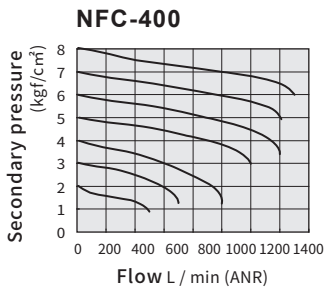
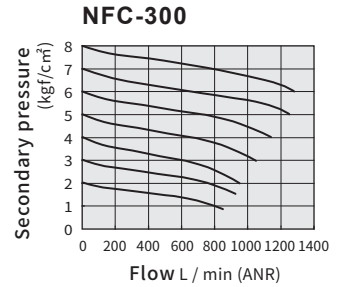
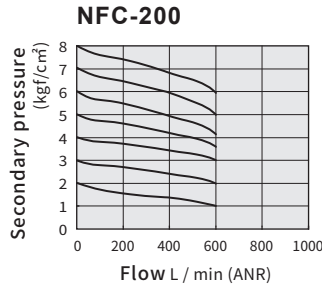
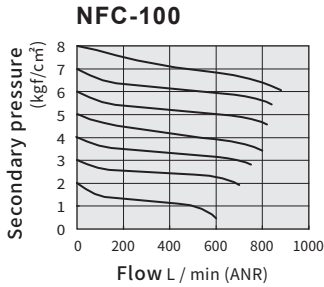
Note : 1. Standard: Standard accessory ; (option) : Accessory option
 2. Pressure switch PSN10, PSN30 and PSN-41 specification, please refer to detail specification in P.1-2.23 ~ P.1-2.28

NFC series FR.L. Combinations

Characteristics graph

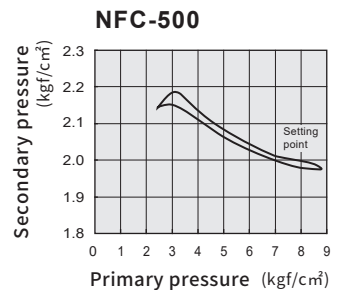
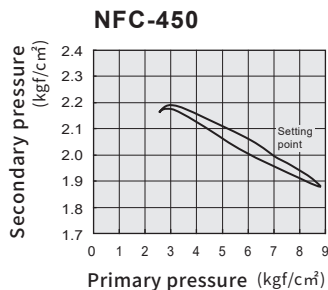
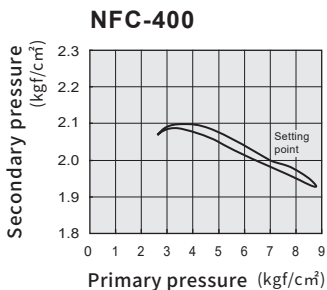
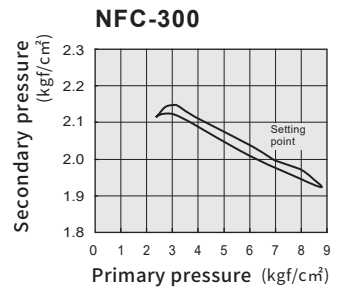
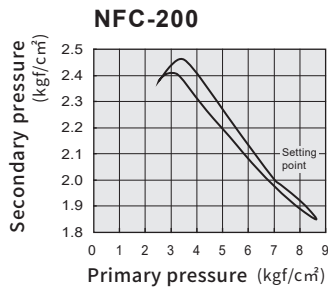
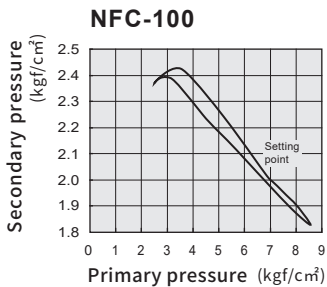
CHELIC

Flow rate characteristic graph



Note: The flow rate dropping might be caused by working environment with dirt and objects; filter element is suggested to replace from time to time.

Pressure characteristics graph



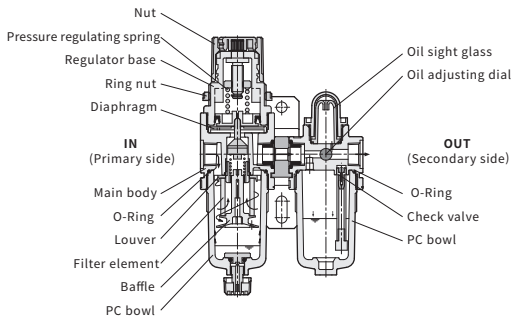
NFC series FR.L. Combinations

Product features

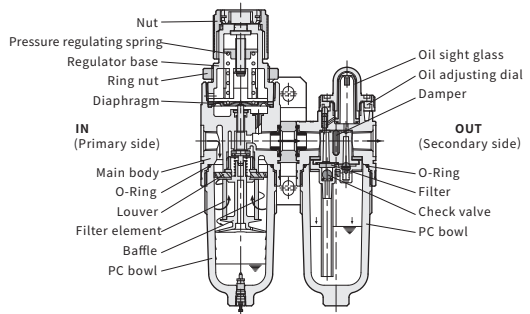
CHELIC

Internal structure

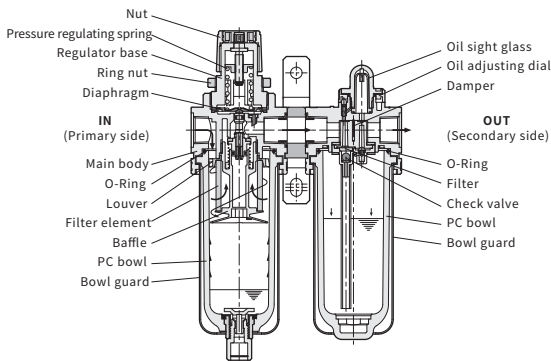
NFC-100



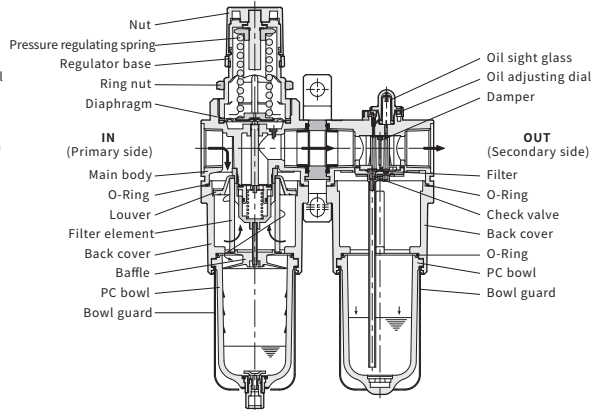
NFC-200



NFC-300, 400, 450

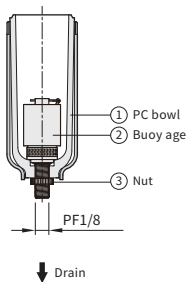


NFC-500

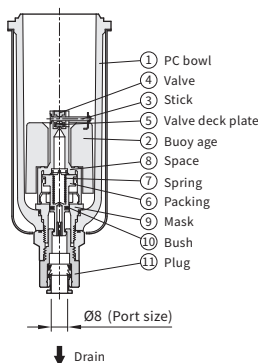


Auto drain structure theory

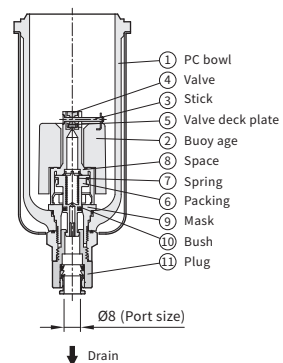
● Suitable for: N200
Model: AD-25



● Suitable for: N300
Model: AD-35



● Suitable for: N400, N450, N500
Model: AD-55



NC

NFC

PSN-10
30,41

NFR

MFR

MFRD

NF

MF

MFD

NR

ARX

NPR

NL

N

DM

ERX

ERP

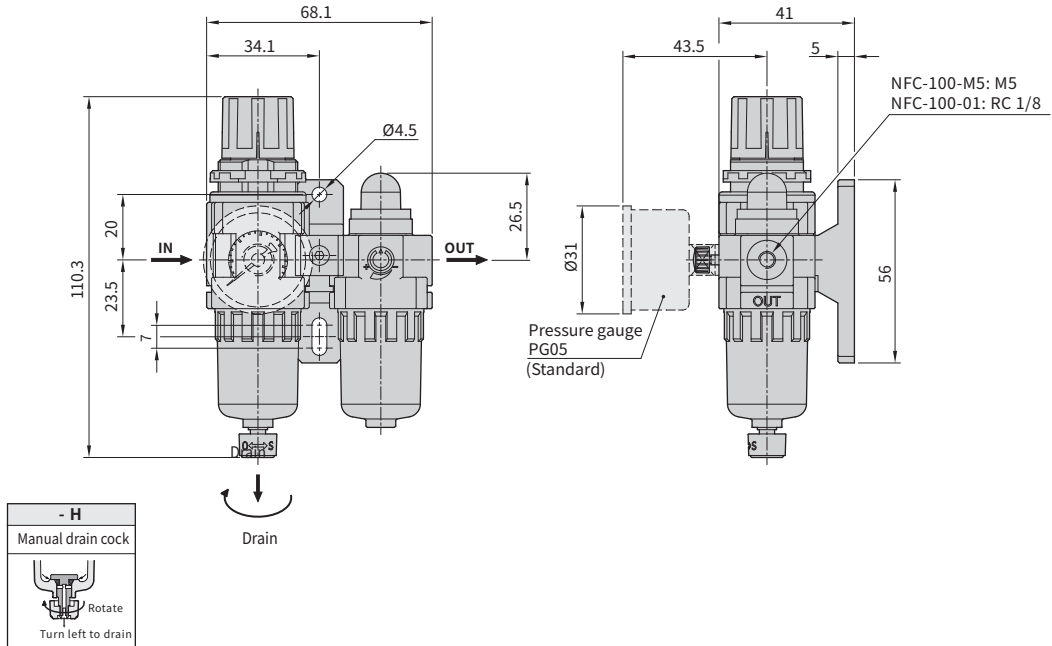
PG/AFB
NDV/AD

NFC series FR.L. Combinations

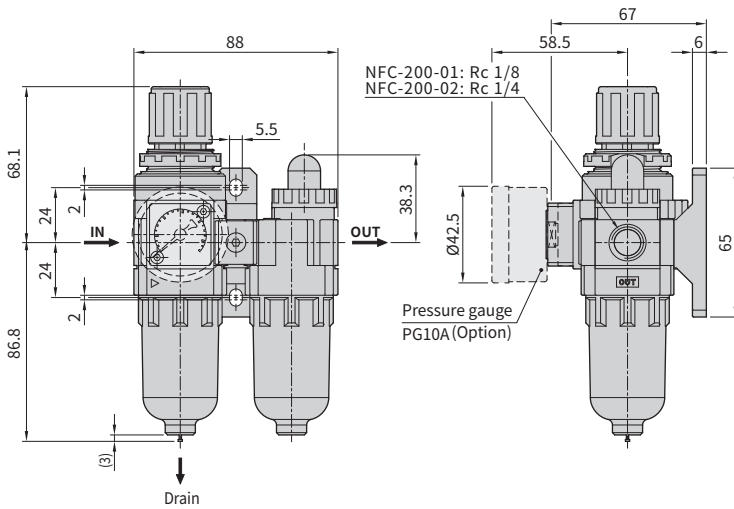
Dimensions

CHELIC

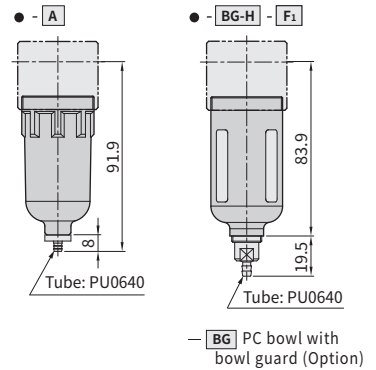
● NFC - **100** - Standard



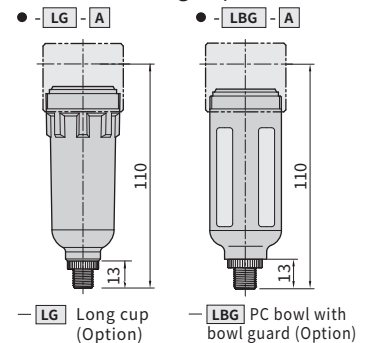
● NFC - **200** - - **H**



Manual drain cock-Standard



Auto drain-Long cup



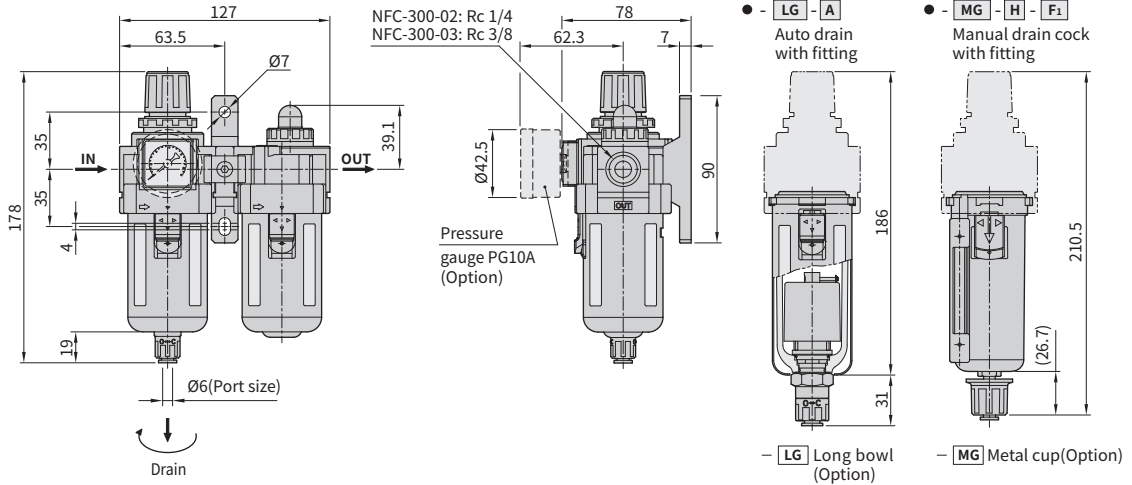
- H	- BG-H - F1	- A	- LG - A	- LBG - A
Manual drain cock (standard)	Manual drain cock (With bowl guard, Fitting)	Auto drain (Differential pressure should be above 1kg)	Auto drain (AD-25)	Auto drain (AD-25)
Button Push	Bowl guard F1 Fitting Push			

NFC series FR.L. Combinations

Dimensions

CHELIC

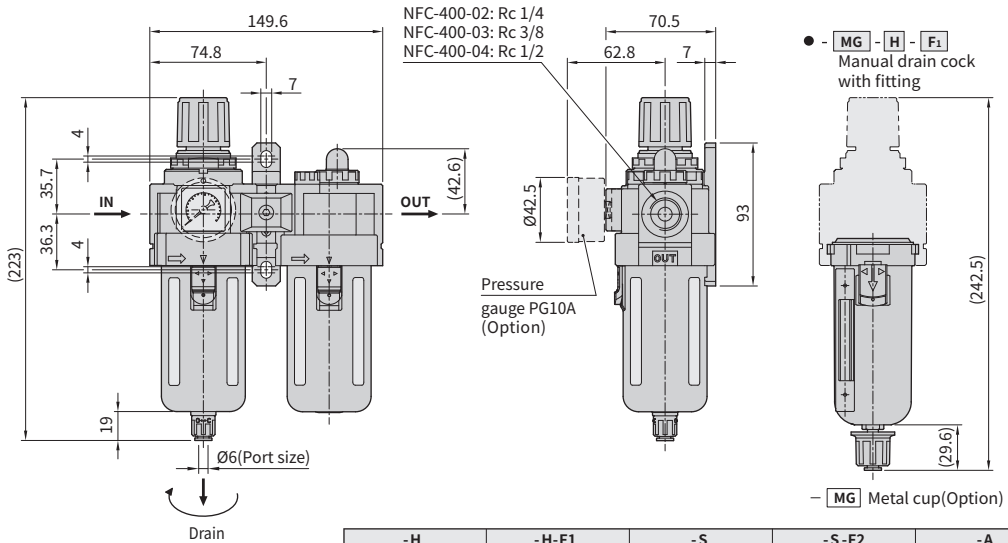
● NFC - 300 - [] - H Standard



-H	-H-F1	-S	-S-F2	-A
Manual drain (Standard)	Manual drain cock with fitting (Option)	Semi-Auto drain (Option)	Semi-Auto drain with fitting (Option)	Auto drain (Option AD-35)
Rotate Turn left to drain	Rotate Turn left to drain	Rotate Turn left to drain	Rotate Turn left to drain	Float type

Note : Above auto drainer is AD-35°

● NFC - 400 - [] - H Standard



-H	-H-F1	-S	-S-F2	-A
Manual drain (Standard)	Manual drain cock with fitting (Option)	Semi-Auto drain (Option)	Semi-Auto drain with fitting (Option)	Auto drain (Option AD-55)
Rotate Turn left to drain	Rotate Turn left to drain	Rotate Turn left to drain	Rotate Turn left to drain	Float type

Note : Above auto drainer is AD-55°

NC

NFC

PSN-10
30,41

NFR

MFR

MFRD

NF

MF

MFD

NR

ARX

NPR

NL

N

DM

ERX

ERP

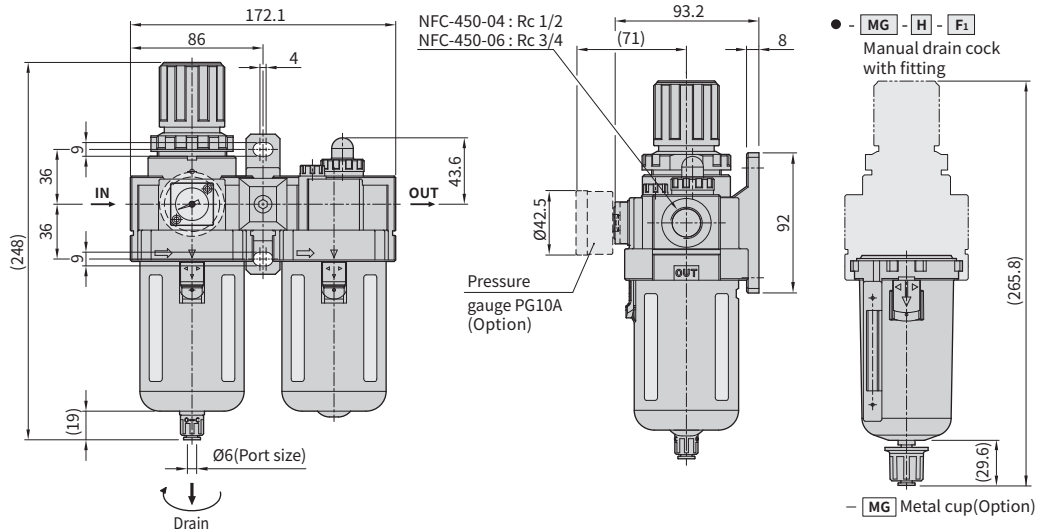
PG/AFB
NDV/AD

NFC series FR.L. Combinations

Dimensions

CHELIC

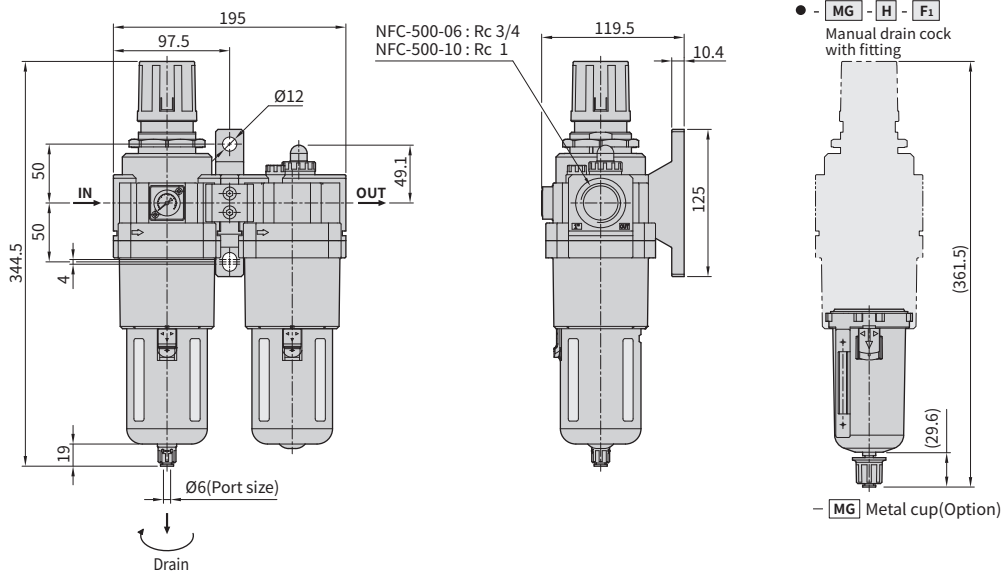
● NFC - 450 - [] - H Standard



-H	-H-F1	-S	-S-F2	-A
Manual drain (Standard)	Manual drain cock with fitting (Option)	Semi-Auto drain (Option)	Semi-Auto drain with fitting (Option)	Auto drain (Option AD-55)
Rotate Turn left to drain	Rotate Turn left to drain	Rotate Turn left to drain	Rotate Turn left to drain	Float type

🔍 Note : Above auto drainer is AD-55°

● NFC - 500 - [] - H Standard



-H	-H-F1	-S	-S-F2	-A
Manual drain (Standard)	Manual drain cock with fitting (Option)	Semi-Auto drain (Option)	Semi-Auto drain with fitting (Option)	Auto drain (Option AD-55)
Rotate Turn left to drain	Rotate Turn left to drain	Rotate Turn left to drain	Rotate Turn left to drain	Float type

🔍 Note : Above auto drainer is AD-55°

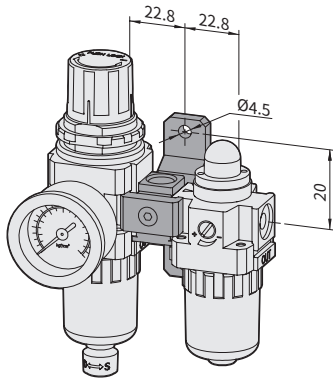
NFC series FR.L. Combinations

Mounting bracket

CHELIC

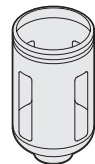
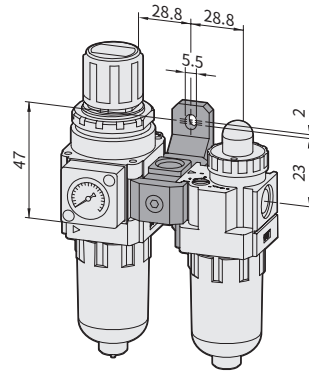
▶ NFC - 100 - TA - H

Suitable for air gun operating



▶ NFC - 200 - TA - H

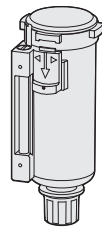
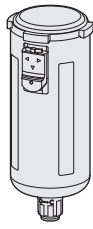
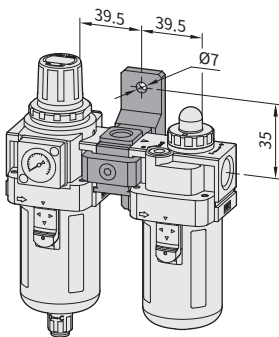
Suitable for air gun operating



- BG
(with bowl guard)

▶ NFC - 300 - TA - H

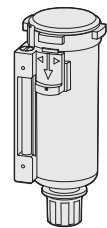
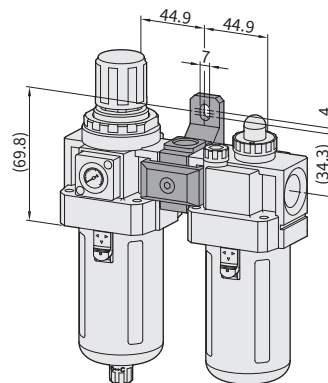
Suitable for air gun operating



- LG (Long bowl) - MG (Metal bowl)

▶ NFC - 400 - TA - H

Suitable for air gun operating



- MG (Metal bowl)

NC

NFC

PSN-10
30,41

NFR

MFR

MFRD

NF

MF

MFD

NR

ARX

NPR

NL

N

DM

ERX

ERP

PG/AFB
NDV/AD

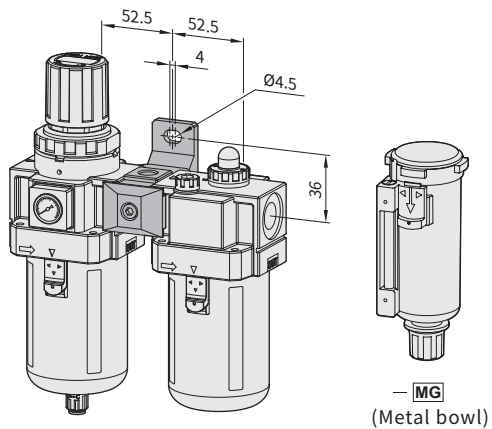
NFC series FR.L. Combinations

Mounting bracket

CHELIC

► NFC - 450 - TA - H

Suitable for air gun operating



► NFC - 500 - TA - H

Suitable for air gun operating

