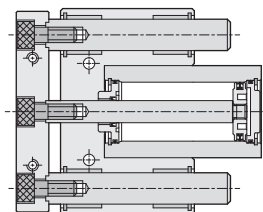
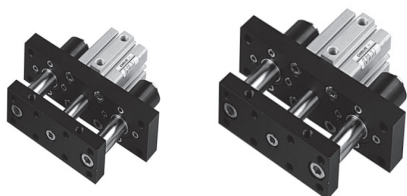


JCF series Flange Type Guide Cylinder

Product features

CHELIC

Internal structure



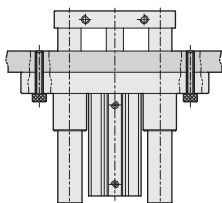
Standard stroke

Bore size (mm)	Standard type (Without magnet)										Standard type (With magnet)										
	10	20	30	40	50	60	75	85	100	125	150	10	20	30	40	50	65	75	90	115	140
20	●	●	●	●	●	●	●	●	●	—	—	●	●	●	●	●	●	●	●	—	—
25	●	●	●	●	●	●	●	●	●	—	—	●	●	●	●	●	●	●	●	—	—
32	●	●	●	●	●	●	●	●	●	—	—	●	●	●	●	●	●	●	●	—	—
40	●	●	●	●	●	●	●	●	●	●	●	●	●	●	●	●	●	●	●	●	●
50	●	●	●	●	●	●	●	●	●	●	●	●	●	●	●	●	●	●	●	●	●
63	●	●	●	●	●	●	●	●	●	●	●	●	●	●	●	●	●	●	●	●	●

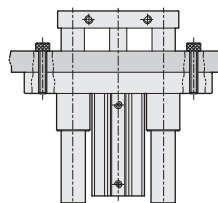
※ Note: Non-standard stroke is customized, calculate at the multiple of 10 and use the decimal system length inner processing treatment.

Mounting type (Reference)

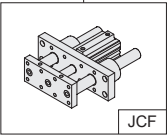
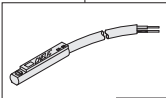
● Vertical mounting type - A
(JCF-Flange type)

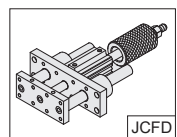


● Vertical mounting type - B
(JCF-Flange type)



Code of order

JCF Model  JCF: Twin-guide cylinder (Flange type)	50 Bore size 20 - Ø20 mm 25 - Ø25 mm 32 - Ø32 mm 40 - Ø40 mm 50 - Ø50 mm 63 - Ø63 mm	32 Stroke Ø20 - 10 ~ 100 mm Ø25 - 10 ~ 100 mm Ø32 - 10 ~ 100 mm Ø40 - 10 ~ 150 mm Ø50 - 10 ~ 150 mm Ø63 - 10 ~ 150 mm	S D 2 Sensor switch  CS-9D S D 2 None: Without sensor switch S : With magnet D : Sensor switch code (CS-9D) B : Sensor switch code (CS-9B) 2 : Number of sensor switch 1 = 1 PCS 2 = 2 PCS
---	--	---	---



JCFD:
Twin-guide cylinder
(Flange type)

Note

● S: With magnet marks "S"

NA

NA2

NB

NU

ND

NQ

MSI

JQ

JD

JG

JTD

JTF

JCB

JCF

JE

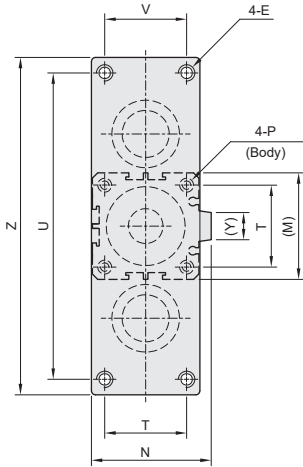
JM

JCF series Flange Type Guide Cylinder

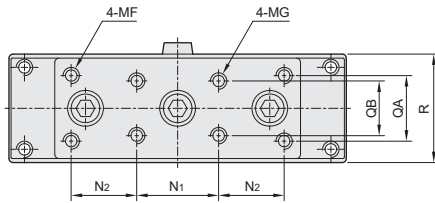
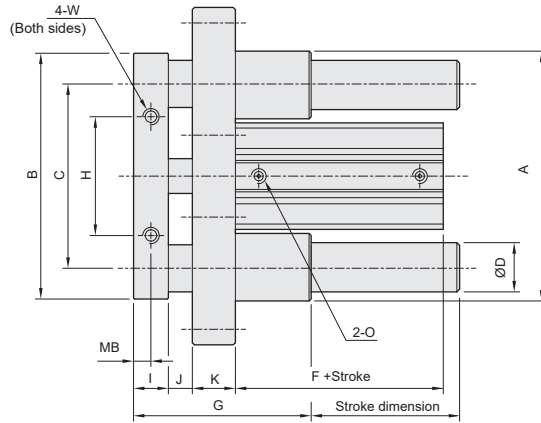
Dimension

CHELIC

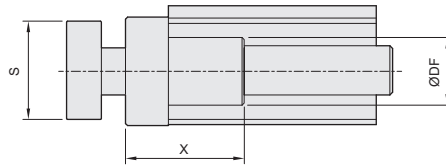
● JCF Ø20 ~ Ø63



(Flange drawing)



(Sliding block drawing)



Bore size	A	B	C	D	DF	E	F	G	H	I	J	K	M	N	MB	2-O
20	84	80	64	12	20	M8 x 1.25P	29.5	64	42	12	4	19	34	—	6	M5 x 0.8P
25	97	92	73	16	24	M8 x 1.25P	31.5	68	46	14	4	19	40	—	7	M5 x 0.8P
32	121	118	90	20	31	M10 x 1.5P	34	76	56	17	4	21	44	51	8.5	PT 1/8
40	127	122	96	20	31	M10 x 1.5P	36.5	79	64	17	4	21	52	59	8.5	PT 1/8
50	157	152	121	25	36	M12 x 1.75P	38.5	91	80	17	4	22	62	74	8.5	PT 1/4
63	166	160	130	25	36	M12 x 1.75P	42.5	96	88	17	4	22	75	87	8.5	PT 1/4

Bore size	MF	MG	N1	N2	P	QA	QB	R	S	T	U	V	W	X	Y	Z
20	M4 x 0.7P	M5 x 0.8P	30	21	M5	21	18	37	29	24	106	24	M4 x 0.7P	48	—	120
25	M5 x 0.8P	M6 x 1.0P	34	23	M6	24	20	42	35	28	120	28	M5 x 0.8P	50	—	134
32	M6 x 1.0P	M8 x 1.25P	40	32	M6	30	22	47	40.5	34	140	34	M6 x 1.0P	55	13.6	156
40	M8 x 1.25P	M8 x 1.25P	40	32	M8	32	32	55	49	40	150	40	M8 x 1.25P	58	13.6	170
50	M8 x 1.25P	M8 x 1.25P	44	44	M8	44	44	68	64	48	184	48	M8 x 1.25P	70	19	204
63	M8 x 1.25P	M8 x 1.25P	46	47	M8	58	58	80	78	60	190	60	M8 x 1.25P	75	20.5	212

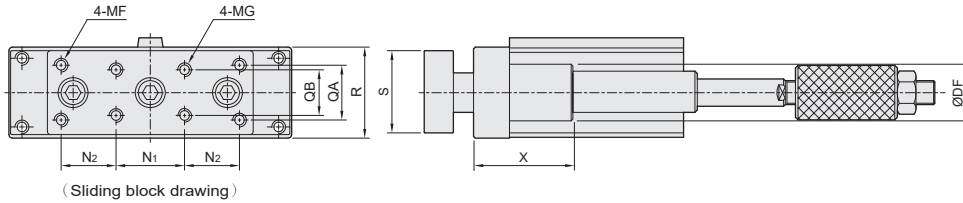
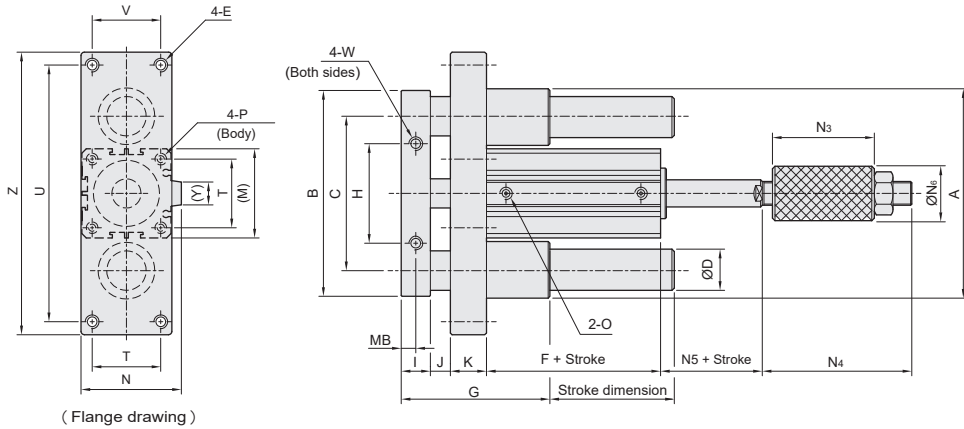
※Note: F dimensions are with magnet.

JCFD series Flange Type Guide Cylinder

Dimension

CHELIC

● JCFD Ø20 ~ Ø63



※ ST = 30mm or less, stroke adjustable 25; over ST = 30mm or more, stroke adjustable 40mm.

Bore size	A	B	C	D	DF	E	F	G	H	I	J	K	M	N	MB	2-O
20	84	80	64	12	20	M8 x 1.25P	29.5	64	42	12	4	19	34	—	6	M5 x 0.8P
25	97	92	73	16	24	M8 x 1.25P	31.5	68	46	14	4	19	40	—	7	M5 x 0.8P
32	121	118	90	20	31	M10 x 1.5P	34	76	56	17	4	21	44	51	8.5	PT 1/8
40	127	122	96	20	31	M10 x 1.5P	36.5	79	64	17	4	21	52	59	8.5	PT 1/8
50	157	152	121	25	36	M12 x 1.75P	38.5	91	80	17	4	22	62	74	8.5	PT 1/4
63	166	160	130	25	36	M12 x 1.75P	42.5	96	88	17	4	22	75	87	8.5	PT 1/4

Bore size	MF	MG	N1	N2	N3	N4	N5	N6	P	QA	QB	R	S	T	U	V	W	X	Y	Z
20	M4 x 0.7P	M5 x 0.8P	30	21	56	63.5	1.5	16	M5	21	18	37	29	24	106	24	M4 x 0.7P	48	—	120
25	M5 x 0.8P	M6 x 1.0P	34	23	58	67	2	20	M6	24	20	42	35	28	120	28	M5 x 0.8P	50	—	134
32	M6 x 1.0P	M8 x 1.25P	40	32	58	68.5	3.3	25	M6	30	22	47	40.5	34	140	34	M6 x 1.0P	55	13.6	156
40	M8 x 1.25P	M8 x 1.25P	40	32	60	74	3.3	32	M8	32	32	55	49	40	150	40	M8 x 1.25P	58	13.6	170
50	M8 x 1.25P	M8 x 1.25P	44	44	62	81	4	36	M8	44	44	68	64	48	184	48	M8 x 1.25P	70	19	204
63	M8 x 1.25P	M8 x 1.25P	46	47	62	81	4	36	M8	58	58	80	78	60	190	60	M8 x 1.25P	75	20.5	212

※Note: F dimensions are the spec. without magnet.