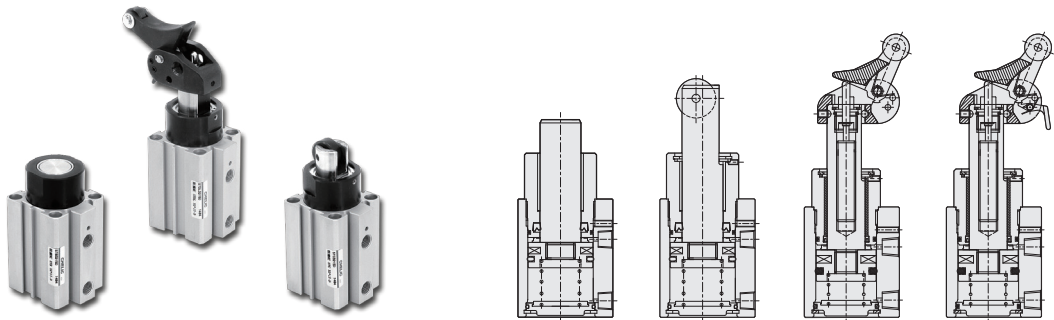


STB(C, D) series Stopper Cylinder

Product features

CHELIC

Internal structure



STB

STC

STD

STDL

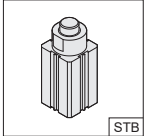
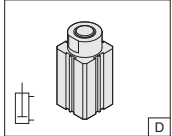
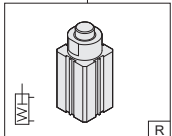
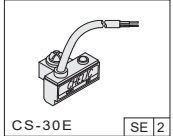
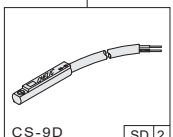
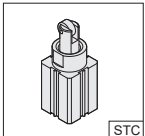
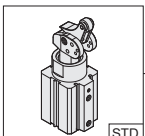
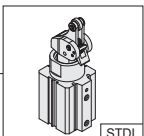
STF

Specification

Item	Bore size (mm)	Ø32	Ø40	Ø50
Action		Double/ Single acting		
Fluid		Air		
Pressure range	Kgf/cm ² (kPa)	1.5 ~ 9.5 (150 ~ 950)		
Ambient and fluid temperature	℃	0 ~ 60		
Piston speed	mm/s	30 ~ 500		
Standard stroke	mm	10, 15, 20	20, 25, 30	20, 25, 30
Cushion		Rubber washer		
Lubrication		Lubrication free type		
Port size		Rc 1/8	Rc 1/8	Rc 1/4
Sensing device		With magnet		

Code of order

ST B – **32** × **10** – **D** – **SE 2**

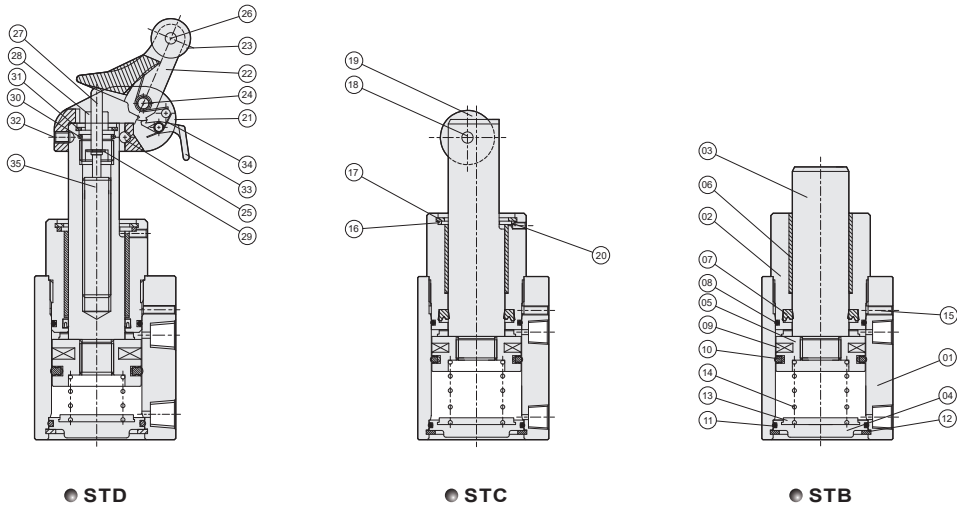
Model  STB STB: Stopper cylinder	Bore size 32 – Ø32 mm 40 – Ø40 mm 50 – Ø50 mm	Stroke Ø32 - 10, 15, 20 mm Ø40 - 20, 25, 30 mm Ø50 - 20, 25, 30 mm	Operation type  D : Double acting  R : Single acting (Normal out)	Sensor switch  CS-30E SE 2 SE : Sensor switch code (CS-30E) 2 : Number of sensor switch 1 = 1 PCS 2 = 2 PCS  CS-9D SD 2 SD : Sensor switch code (CS-9D) SB : Sensor switch code (CS-9B) 2 : Number of sensor switch 1 = 1 PCS 2 = 2 PCS
 STC: Roller Stopper Cylinder				
 STD: Lever Stopper Cylinder	 STDL: Roller Lever Stopper Cylinder (Lock mechanism)			

STB(C, D) series Stopper Cylinder

Product features

CHELIC

Internal structure



Components and material list

No.	Item	Material	No.	Item	Material
01	Body	Aluminum alloy	19	Roller lever	Carbon steel
02	Front cover	Aluminum alloy	20	Screw	Alloy steel
03	Shaft	Carbon steel	21	Mounting base	Alloy steel
04	Rear cover	Aluminum alloy	22	Rocking arm	Alloy steel
05	Piston	Copper Alloy	23	Roller lever	Carbon steel
06	Bearing	Teflon	24	Dowel pin	Bearing steel
07	Shaft packing	NBR	25	Dowel pin	Bearing steel
08	Front cover O-ring	NBR	26	Dowel pin	Bearing steel
09	Magnet	Rubber	27	Air cushioning lever	Carbon steel
10	Piston Packing	NBR	28	Air cushioning base	Copper Alloy
11	Rear cover O-ring	NBR	29	E clip	Spring steel
12	Rear cap clip	Spring steel	30	O clip	NBR
13	Cushion gasket	Rubber	31	Clip	Spring steel
14	Spring	Spring steel	32	Fixed screw	Alloy steel
15	Fixed screw	Alloy steel	33	Positioning plate	Alloy steel
16	Rod guide	Stainless steel	34	Spring	Spring steel
17	Clip	Spring steel	35	Shock absorber	Carbon steel
18	Dowel pin	Bearing steel			

Packing and O-ring material list

Item	Shaft packing	Front cover O-ring	Piston packing	Rear cover O-ring
Bore size	Quantity	1	1	1
Ø32	DYR - 20	Ø28.5 x Ø2	COP-32	Ø32 x Ø2
Ø40	UP - 25	Ø36 x Ø2	COP-40	Ø38.5 x Ø2
Ø50	UP - 25	Ø47.5 x Ø2	COP-50	Ø48 x Ø2

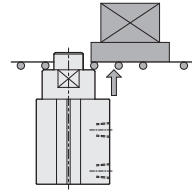
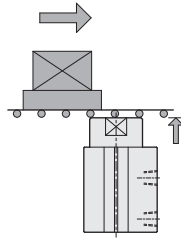
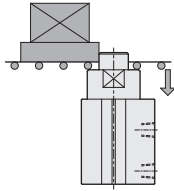
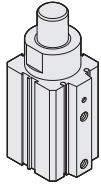
STB(C, D) series Stopper Cylinder

Application expression, Installation reference

CHELIC

- STB
- STC
- STD
- STDL
- STF

STB Application



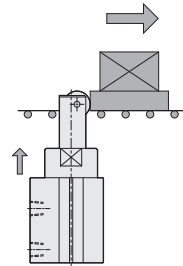
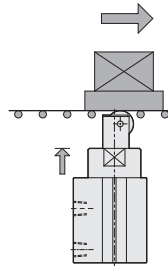
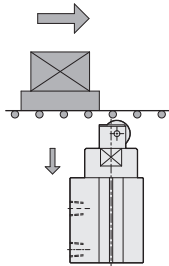
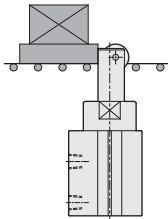
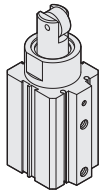
● STB series

● Stop

● Rod falls pallet passed

● Cylinder return

STC Application



● STC series

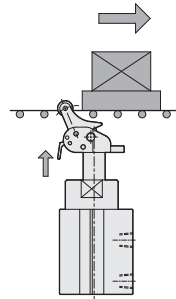
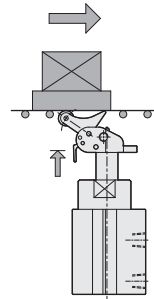
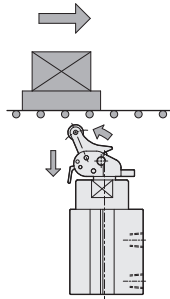
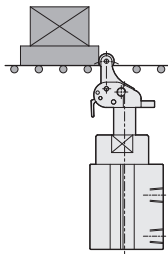
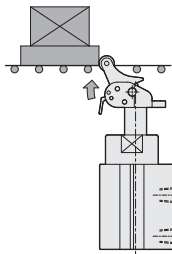
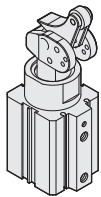
● Stop

● Rod falls

● pallet passed

● Cylinder return

STD Application



● STD series

● Stop / Slow the pallet

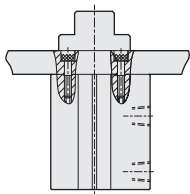
Stop

Rod falls
pallet passed

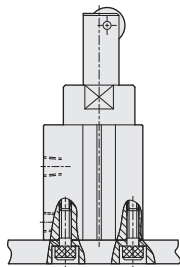
Pallet passed
level off

Cylinder
return

Mounting type



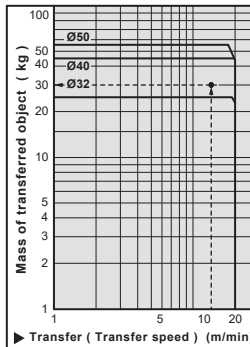
● Top mounting



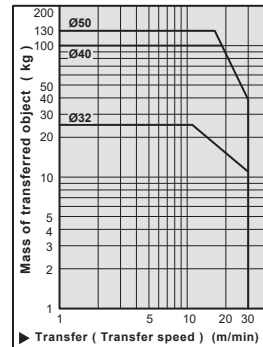
● Bottom mounting

Strike force allowable

● STB、STC



● STD、STDL

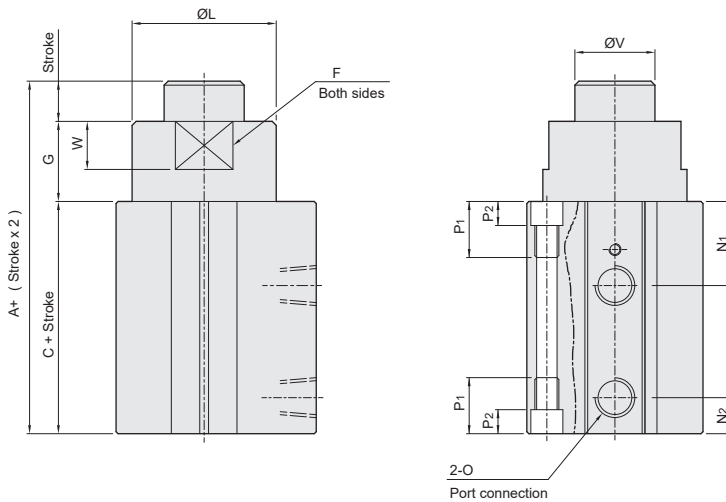
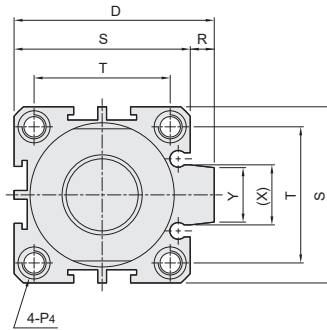


STB series Stopper Cylinder

Dimensions

CHELIC

STB Ø32, Ø40, Ø50



Dimension

Bore size (mm)	A	C	D	F	G	L	N ₁	N ₂	O	R	S	T	Y
Ø32	68	48	50	33	20	36	21	9	PT 1/8	6	44	34	13.6
Ø40	80.2	52.2	58	41	28	44	24.6	10	PT 1/8	6	52	40	13.6
Ø50	82	54	72	50	28	56	24	10.8	PT 1/4	8	64	50	19

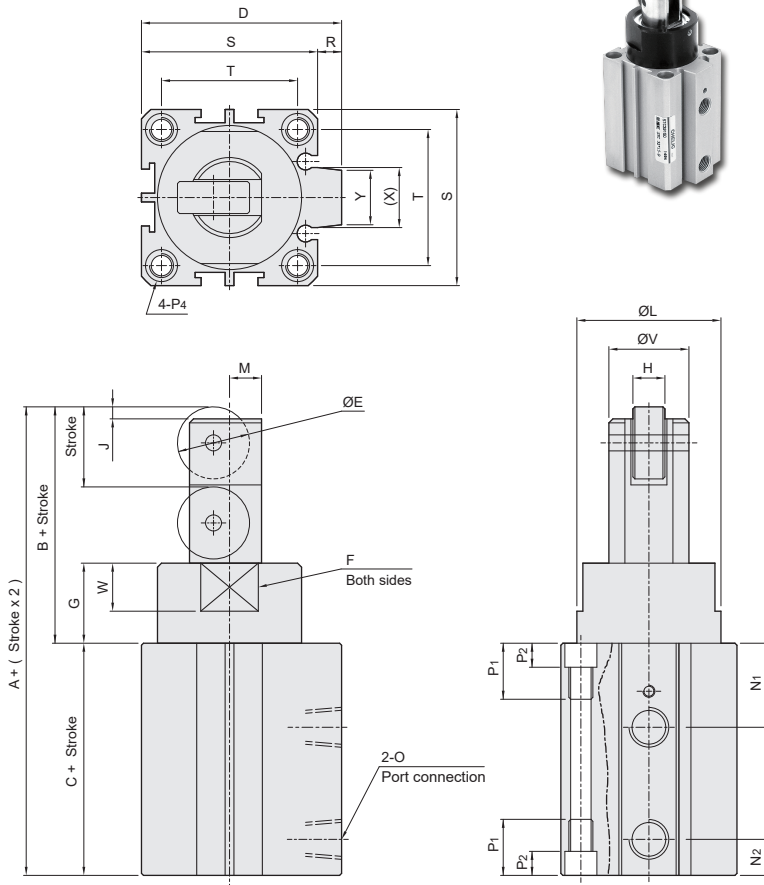
Bore size (mm)	P4	P1	P2	V	W	X
Ø32	Thru-hole Ø4.8, Thread M6 x 1 x 8 dp; Hole Ø8 x 6 dp; (Both sides)	14	6	20	12	15
Ø40	Thru-hole Ø6.8, Thread M8 x 1.25 x 10 dp; Hole Ø9.5 x 8 dp; (Both sides)	18	8	25	15	15
Ø50	Thru-hole Ø6.8, Thread M8 x 1.25 x 10 dp; Hole Ø11 x 8.5 dp; (Both sides)	18.5	8.5	25	15	21.6

STC series Roller Stopper Cylinder

Dimensions

CHELIC

STC Ø32, Ø40, Ø50



STB

STC

STD

STDL

STF

Dimension

Bore size (mm)	A	B	C	D	E	F	G	H	J	L	M	N ₁	N ₂	O	R	S
Ø32	87	39	48	50	18	33	20	8	3	36	8	21	9	PT 1/8	6	44
Ø40	105.2	53	52.2	58	24	41	28	9	4	44	10	24.6	10	PT 1/8	6	52
Ø50	107	53	54	72	24	50	28	9	4	56	10	24	10.8	PT 1/4	8	64

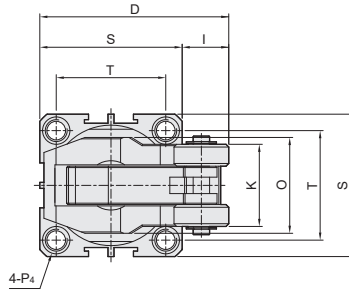
Bore size (mm)	P ₄	P ₁	P ₂	T	V	W	X	Y
Ø32	Thru-hole Ø4.8, Thread M6 x 1 x 8 dp; Hole Ø8 x 6 dp; (Both sides)	14	6	34	20	12	15	13.6
Ø40	Thru-hole Ø6.8, Thread M8 x 1.25 x 10 dp; Hole Ø9.5 x 8 dp; (Both sides)	18	8	40	25	15	15	13.6
Ø50	Thru-hole Ø6.8, Thread M8 x 1.25 x 10 dp; Hole Ø11 x 8.5 dp; (Both sides)	18.5	8.5	50	25	15	21.6	19

STD series Lever Stopper Cylinder

Dimensions

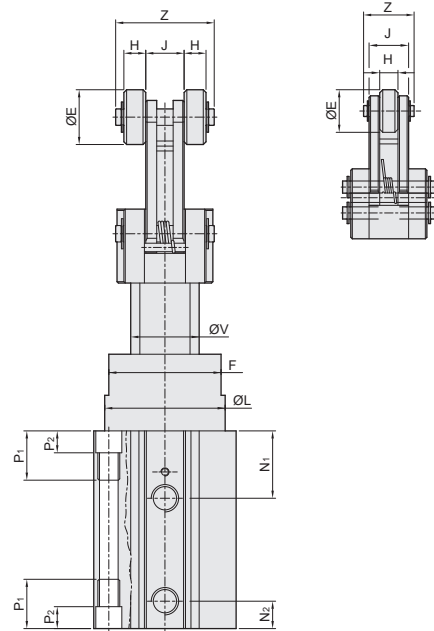
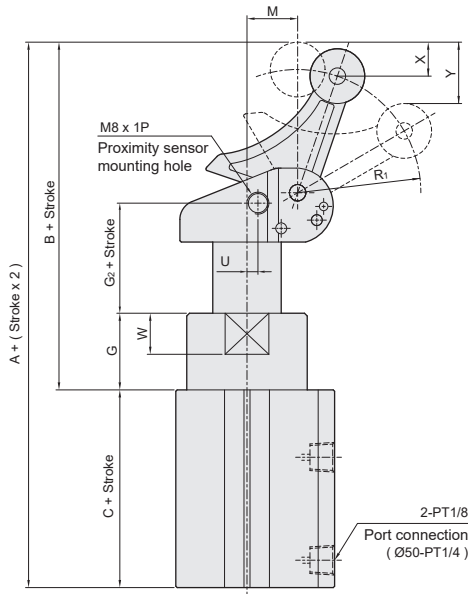
CHELIC

STD Ø32, Ø40, Ø50



STD Ø40, Ø50

STD Ø32



Dimension

Bore size (mm)	A	B	C	D	E	F	G	G ₂	H	I	J	K	L	M	N ₁	N ₂	O	S	T
Ø32	141	93	48	59.1	14	33	20	28.8	6	15.1	13	—	36	16.5	21	9	25	44	34
Ø40	160.2	108	52.2	68.5	20	41	28	21.2	8	17	15	32	44	18.5	24.6	10	35	52	40
Ø50	162.7	108.7	54	74.5	20	50	28	21.9	8	11	15	32	56	18.5	24	10.8	35	64	50

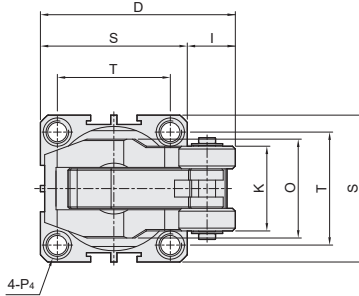
Bore size (mm)	P ₄	P ₁	P ₂	V	U	W	X	Y	Z	R ₁
Ø32	Thru-hole Ø4.8, Thread M6 x 1 x 8 dp; Hole Ø8 x 6 dp; (Both sides)	14	6	20	3	12	9.7	17.8	18.4	R35
Ø40	Thru-hole Ø6.8, Thread M8x1.25x10 dp; Hole Ø9.5x8dp; (Both sides)	18	8	25	4	15	12.4	22.4	38	R45
Ø50	Thru-hole Ø6.8, Thread M8x1.25x10 dp; Hole Ø11x 8.5dp; (Both sides)	18.5	8.5	25	4	15	12.4	22.4	38	R45

STDL series Roller Lever Stopper Cylinder (Lock mechanism)

Dimensions

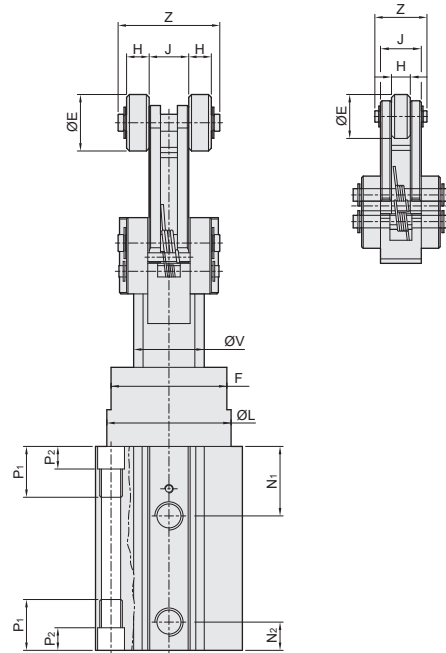
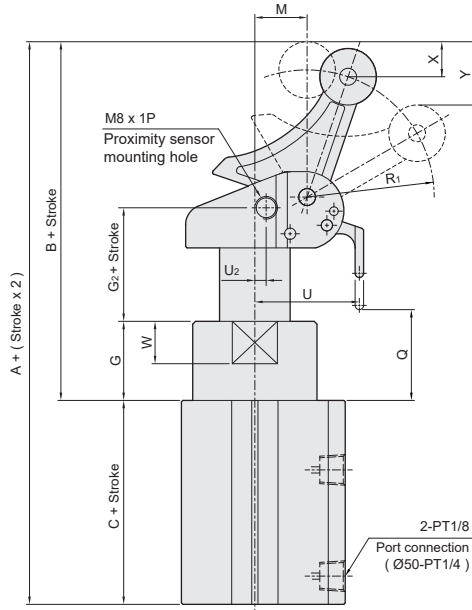
CHELIC

STDL Ø32, Ø40, Ø50



STDL Ø40, Ø50

STDL Ø32



STB

STC

STD

STDL

STF

Dimension

Bore size (mm)	A	B	C	D	E	F	G	G ₂	H	I	J	K	L	M	N ₁	N ₂	O	S	T	V
Ø32	141	93	48	59.1	14	33	20	28.8	6	15.1	13	—	36	16.5	21	9	25	44	34	20
Ø40	160.2	108	52.2	68.5	20	41	28	21.2	8	17	15	31	44	18.5	24.6	10	35	52	40	25
Ø50	162.7	108.7	54	74.5	20	50	28	21.9	8	11	15	31	56	18.5	24	10.8	35	64	50	25

Bore size (mm)	P4										P ₁	P ₂	Q	U	U ₂	W	X	Y	Z	R ₁
Ø32	Thru-hole Ø4.8, Thread M6 x 1 x 8 dp; Hole Ø8 x 6 dp; (Both sides)										14	6	30.8	29.4	3	12	9.7	17.8	18.4	R35
Ø40	Thru-hole Ø6.8, Thread M8x1.25x10 dp; Hole Ø9.5x8dp; (Both sides)										18	8	25	37	4	15	12.4	22.4	38	R45
Ø50	Thru-hole Ø6.8, Thread M8x1.25x10 dp; Hole Ø11x 8.5dp; (Both sides)										18.5	8.5	26	37	4	15	12.4	22.4	38	R45