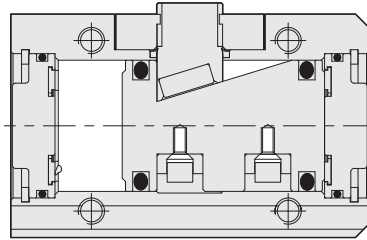


HLK series Mini Auto-lock Clamp Cylinder

Product features/ Code of order

CHELIC

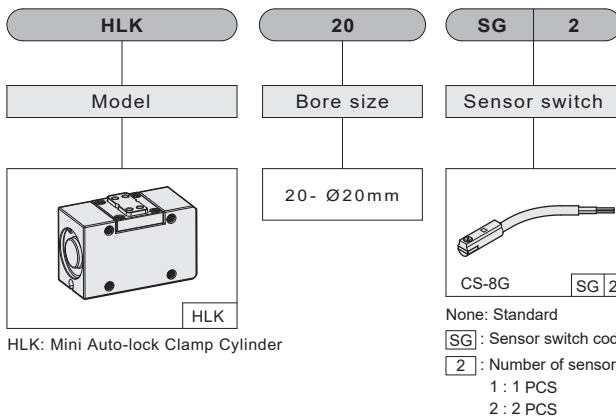
Internal structure



Specification

Item	Bore size (mm)	Ø20
Stroke		3
Action		Double acting
Fluid		Air
Pressure range	Kgf/cm ² (kPa)	2~8.5 (200~850)
Max. operating pressure	Kgf/cm ² (kPa)	9.5 (950)
Ambient and fluid temperature	°C	-10~60
Lubrication		Lubrication free type
Port size		M5x0.8
Sensing device		With magnet

Code of order

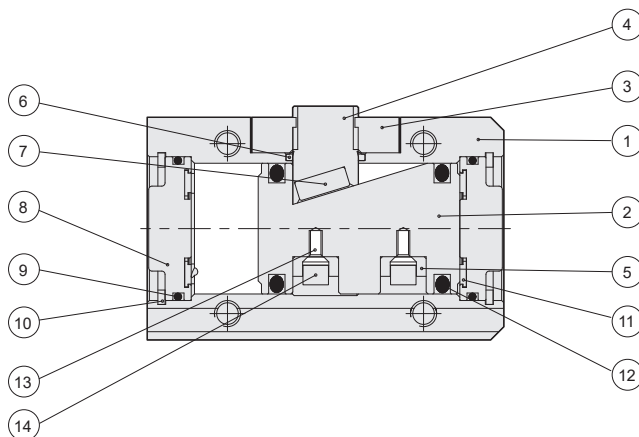


HLK series Mini Auto-lock Clamp Cylinder

Product features

CHELIC

Internal structure



No	Item	Material	No	Item	Material
01	Body	Aluminum alloy	08	Rear cover	Aluminum alloy
02	Piston	Carbon steel	09	Rear cover O-ring	NBR
03	Cover	Steel	10	C clip	Alloy steel
04	Clamp plate	Carbon steel	11	Cushion gasket	NBR
05	Magnet base	Stainless steel	12	Piston packing	NBR
06	Scrap packing	NBR	13	Screw	Steel
07	Magnet	Rare earth material	14	Magnet	Rare earth material

Theoretical output

Bore size (mm)	Piston area (cm ²)	Air pressure (kgf/cm ²)						
		2	3	4	5	6	7	8
20	3.14	3.2	4.9	6.5	8.2	9.8	11.5	13.2

Note: Above are theoretical data for reference. While applying the product, please do consider the frictional resistance and the mechanical efficiency of value should be added calculation before using.

SCR(L)

HER

HGR(L)

HSR(L)

HBR(L)

HFR(L)

HFK

HCK

HLK

HUR(L)

HUK

HN

HS

HCF

HCS

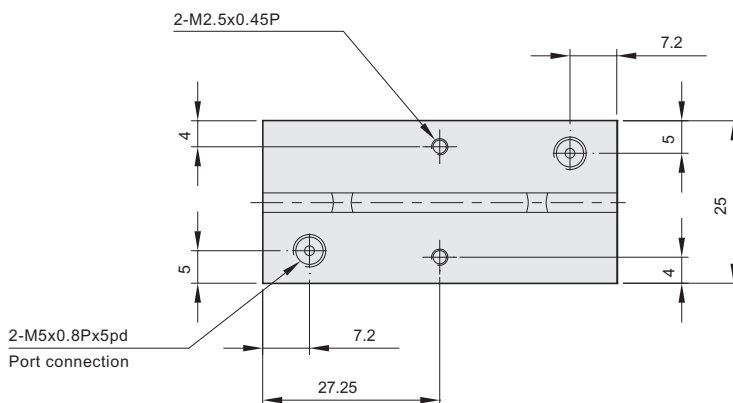
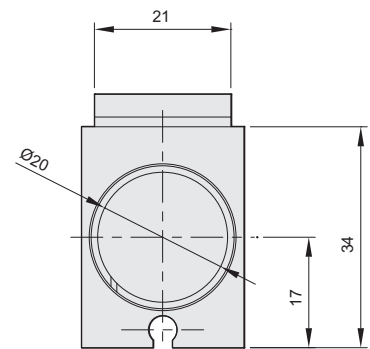
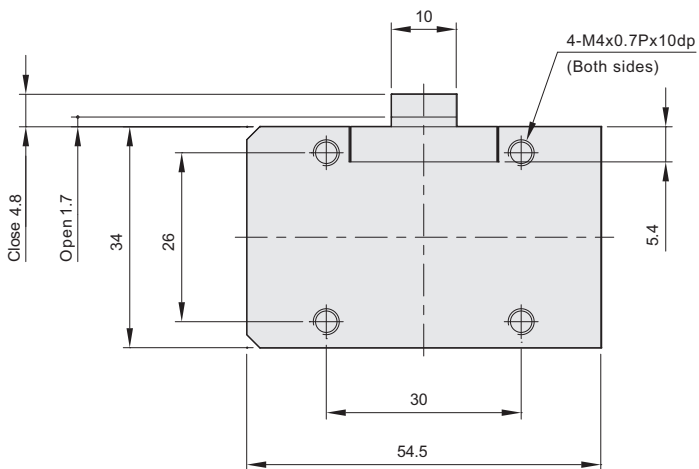
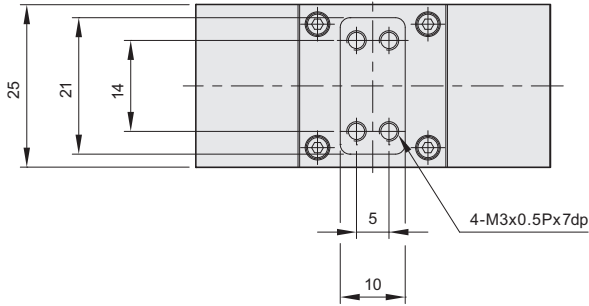
HCQ

HLK series Mini Auto-lock Clamp Cylinder

Dimensions

CHELIC

HLK 20

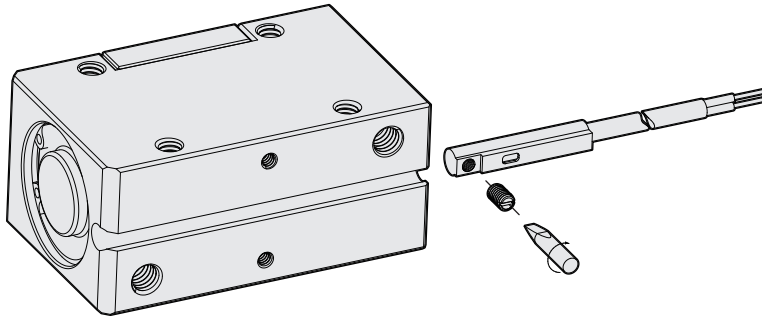


HLK series Mini Auto-lock Clamp Cylinder

Sensor switch operating range and the setting

CHELIC

◉ Sensor switch mounting type



◉ Sensing range

Sensor switch is fixed on the cylinder body. The magnetic piston head will activate the sensor switch when it enters the operating range. It has 0.5mm differential.

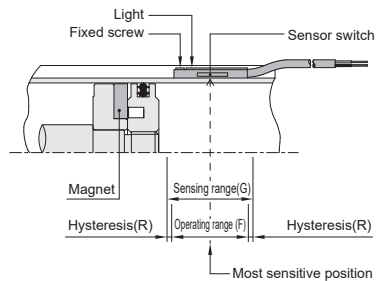
◉ Operating range

When piston head moves the switch setting and adjustment will be based on the responding range generated by the magnetic field and the switch. (Please refer to the right table)

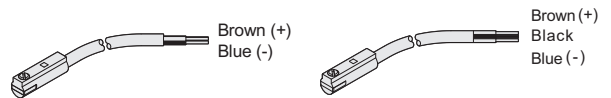
Unit: mm

Model	CS-8G	
Bore size	Operating range (F)	Hysteresis(R)
Ø20	8	1

◉ Sensor switch setting and operating range



◉ Sensor switch introduction



Voltage: DC 5 ~ 30V

CS-8G

Voltage : DC 4.5 ~ 28V

CS-8GN(P)

SCR(L)

HER

HGR(L)

HSR(L)

HBR(L)

HFR(L)

HFK

HCK

HLK

HUR(L)

HUK

HN □

HS □

HCF

HCS

HCQ