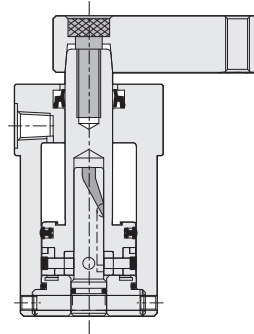


# HFR(L) series Directional Rotary Clamp Cylinder/Magnetic type

Product features/ Code of order

CHELIC

## Internal structure



## Specification

Item	Bore size (mm)	Ø20	Ø25	Ø32	Ø40	Ø50	Ø63
Action		Double acting					
Fluid		Air					
Max. operating pressure	kgf/cm <sup>2</sup> (kPa)	10.3 (1030)					
Pressure range	kgf/cm <sup>2</sup> (kPa)	1 ~ 7 (100~ 700)					
Rotary stroke	mm	9		11		13	
Under pressure stroke	mm	13		15		17	
Body material		Aluminum alloy					
Rotation angle	°	90 ± 2					
Rotation direction		Left (From right to left) - L; Right (From left to right) - R					
Theoretical clamp force	(N)(6 kgf/cm <sup>2</sup> )	120	200	360	630	980	1680

## Product weight

Unit: kg

Stroke size	Ø20	Ø25	Ø32	Ø40	Ø50	Ø63
Weight	0.3	0.5	0.7	0.9	1.5	2.1

## Code of order

**HF** | **R**      **25**      ×      **13**      -      **SD** | **2**

**Model**      **Bore size**      **Stroke**      **Sensor switch**

L: Left rotation type  
(from right to left)

R: Right rotation type  
(from right to left)

20 - Ø20mm  
25 - Ø25mm  
32 - Ø32mm  
40 - Ø40mm  
50 - Ø50mm  
63 - Ø63mm

Press stroke  
(Not include rotation stroke)

Ø20 - 13mm  
Ø25 - 13mm  
Ø32 - 15mm  
Ø40 - 15mm  
Ø50 - 17mm  
Ø63 - 17mm

CS-9D      SD | 2

SD : Sensor switch code (CS-9D)  
SB : Sensor switch code (CS-9B)  
SH : Sensor switch code (CS-9H)  
SDP : Sensor switch code (CS-9DPNP)

2 : Number of sensor switch  
1 = 1 PCS  
2 = 2 PCS  
(option)

SCR(L)

HER

HGR(L)

HSR(L)

HBR(L)

HFR(L)

HFK

HCK

HLK

HUR(L)

HUK

HN

HS

HCF

HCS

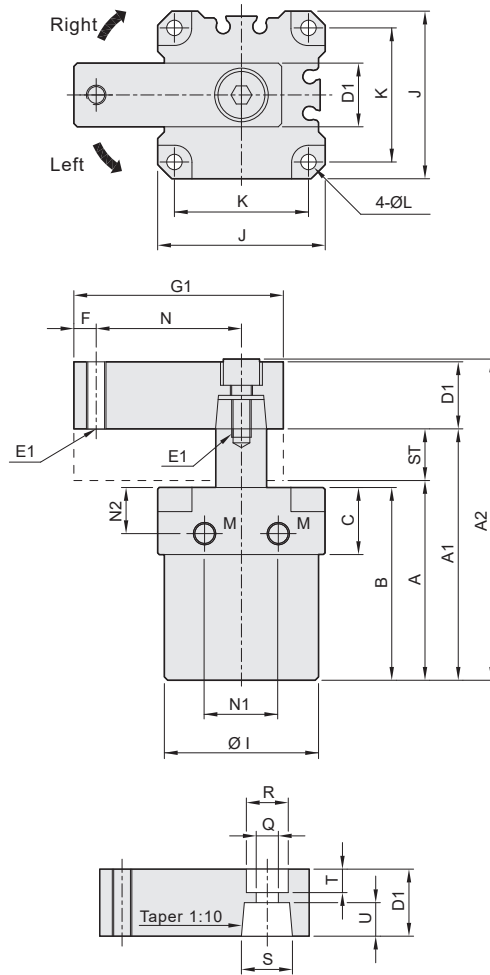
HCC

# HFR(L) series Directional Rotary Clamp Cylinder/Magnetic type

## Dimension

CHELIC

● HFR(L) Ø20 ~ Ø63



Bore size	ST	A	A1	A2	B	C	D1	E1	F	G1
Ø20	22	67	89	(105.9)	65	23	□ 15.9	M6×1.0	6	50
Ø25	22	67	89	(105.9)	65	23	□ 15.9	M6×1.0	6	50
Ø32	26	82	108	(128)	78	28	□ 19	M8×1.25	8	70
Ø40	26	82	108	(128)	78	28	□ 19	M8×1.25	8	75
Ø50	30	94	124	(150.4)	90	31	□ 25.4	M10×1.5	10	85
Ø63	30	94	124	(150.4)	90	31	□ 25.4	M10×1.5	10	95

Bore size	I	J	K	L	M	N	Q	R	S	T	U	N1	N2
Ø20	Ø31	33	26	Ø3.3	M5×0.8P	35	Ø6.8	Ø11	Ø12	5	8.5	15	15.5
Ø25	Ø35	38	30	Ø4.6	M5×0.8P	35	Ø6.8	Ø11	Ø14	5	8.5	16	15
Ø32	Ø46	50	40	Ø5.6	PT 1/8	50	Ø9	Ø14	Ø16	7	9.5	22	20
Ø40	Ø55	60	48	Ø6.8	PT 1/8	55	Ø9	Ø14	Ø16	7	9.5	26	20.5
Ø50	Ø65	70	57	Ø6.8	PT 1/8	60	Ø11	Ø18	Ø20	9	12.5	34	22.5
Ø63	Ø78	83	67	Ø9	PT 1/8	70	Ø11	Ø18	Ø20	9	12.5	40	22.5