

# FP series Differential Pressure Type Flow Switch

## Product features

CHELIC

### Feature

- Two-color display, easy to detect the value.
- No moving parts, longer lifetime.
- Differential pressure structure, high reliability.



### Specification

Item	Model	FPS		FPM		FPH	
Flow rate	L/min	10	20	50	100	200	500 1000
Port size	mm	Ø4, Ø6		Ø6, Ø8	Ø8		PT1/2
Measure fluid		Air, nitrogen Note 2					
Flow unit Note: 1	Display	2 color LCD					
	Displayable range	L/min	0~10	0~20	0~50	0~100	0~200 0~500 0~1000
	Min. display unit	L/min	0.01		0.1		1
Accumulated pulse flow function	Displayable range	L	99999.99		999999.9		9999999
	Min. display unit	L	0.01		0.1		1
Power Type	Voltage	DC24V(±10%)					
Current consumption		50mA or less Note 5					
Response time		50ms or less					
Environment Note: 2	Min. operating pressure	MPa	0.2				
	Max. operating pressure	MPa	0.7				
	Proof pressure	MPa	1.0				
	Ambient of fluid temperature and humidity		0~50°C , 90%RH or less				
	Operating temperature range		0~50°C				
Accuracy Note: 3	Operating range		3~100%F.S.				
	Linearity		within ±3%F.S.(The secondary atmospheric release)				
	Pressure characteristics		within ±2%F.S.				
	Temperature characteristics		within ±2%F.S/°C (15~35°C , 25°C base)				
	Repeatability		within ±1%F.S.				
Output type	Analog output		Voltage output: 1~5V, Load Impedance: 50kΩ Voltage output: 4~20mA , Load Impedance: 600Ω Note 4				
	Switch output		2NPN open collector output (Max. loading current: 50mA; Power supply voltage: DC24V) 2PNP open collector output				
Wiring		Cable Connector X 5 Core (QD)					
Enclosure		IP40					
Circuit protection Note: 6		Reverse power connect protection, Output reverse connection protection					
Weight	g	62.2				141.61	

Note:

1. Converted to volumetric flow at 20° C of 1 barometric pressure (101 kPa).
2. When applying compressed air, please use clean air that complies to JIS B 8392-1:2003 Class 1.1.1 to 1.6.2. Compressed air from the compressor contains drainage (water, oxidized oil, foreign matter, etc.). Install an air dryer (minimum pressure dew point: 10° C or colder), and oil mist filter (maximum oil concentration: 0.1 mg/m3) on the primary side of this product to maintain product functions.
3. Please calibrate the product within specification requested. The environment condition: 25+/- 3° C, voltage output DC 24V +/- 0.1V. F.S. indicates the actual portion of flow rate.
4. Analog output is with load impedance 1kΩ. When the connection to load impedance is low, the output value differentiation will increase. Please do make sure the connection of load impedance difference before use.
5. Current for 24 VDC connection with no load connected. Consumed current varies with the load connection.
6. This product's protection circuit is effective only for specific misconnections and load short-circuits. It does not provide protection for all misconnections.
7. Please refer to page 1-4.76 for FP precautions.

CVTR

CVAR

CMT

CMA

FP

FPX

FC

FC-D

FC-R

# FP series Differential Pressure Type Flow Switch

Model selection

CHELIC

## Sequence 1 Flow range selection

### Flow reference table

Flow	Measuring flow range	F.S. flow deviation
10L	0.3L~10L	±0.3L
20L	0.6L~20L	±0.6L
50L	1.5L~50L	±1.5L
100L	3L~100L	±3L
200L	6L~200L	±6L
500L	15L~500L	±15L
1000L	30L~1000L	±30L

- F.S. flow deviation (allowable error  $\pm 3\%$ )  
ex: 10L (1000mL) flowmeter  $1000\text{mL} \pm 3\%$  accuracy error is equal to error value of  $\pm 30\text{mL}$ . If the target flow rate is 300ml, its 0-600ml is within the allowable range. If the error value is required to  $\pm 60\text{mL}$ , 2L is recommended Specification flowmeter. (The the flow rate is larger , the allowable error range is larger )
- Before selecting a flow meter, you need to determine the flow range you used.  
ex: Flow meter is 30L, 50L can be selected; 150L can be 200L
- Pay attention to the Min. flow range for the flowmeter  
ex: 1000L is at least 30L, so the flow rate below 30L will be inaccurate
- If the rate is higher than F.S. 3%, the flowmeter will display H.  
ex: The maximum allowable error value of 1000L is 1060L, if it is higher than 1060L, H will be displayed

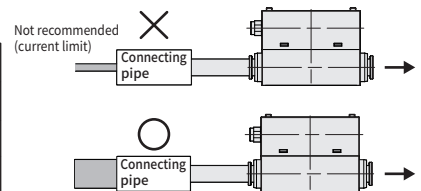
## Sequence 2 Port size selection

- Confirm whether the connection diameter of the product can meet your requirements also the specifications on the catalog.  
(EX: 500 type connection caliber only  $\varnothing 6$  and  $\varnothing 8$  specifications can be used directly)
- It is recommended that the pipeline before the inlet and outlet ports be greater than or equal to the diameter of the connecting pipe. If it is lower than the pipe diameter, it may cause flow restriction.

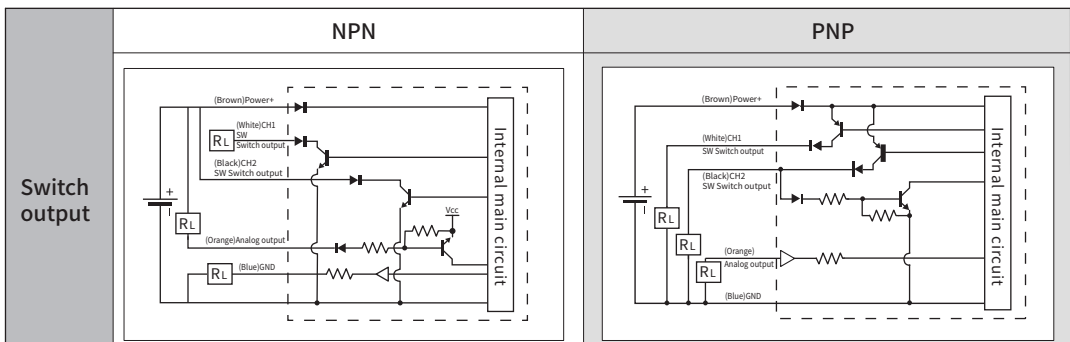
## Sequence 3 Analog output and switch output selection

- The output signal has voltage and current options, please confirm the output signal and choose.

Output signal	Voltage type	DC1-5V
	Current type	DC4-20mA
Output impedance	Voltage type	50k $\Omega$
	Current type	300 $\Omega$



- Confirm the switch signal NPN or PNP type.



# FP series Differential Pressure Type Flow Switch

Code of order

CHELIC

## Code of order- Differential pressure type flow switch

**FP S - 100 - C06 - V - N - B - S**



1

Mark	Type
S	Small flow rate
M	Medium Flow rate
H	Large flow rate

2

Type	Mark	Flow(L/min)
FPS	100	10
	200	20
FPM	500	50
	101	100
FPH	201	200
	501	500
	102	1000

3

Mark	Port Size	FPS			FPM		FPH	
		100	200	500	101	201	501	102
C04	Ø4	●	●	-	-	-	-	-
C06	Ø6	●	●	●	-	-	-	-
C08	Ø8	-	-	●	●	●	-	-
P04	PT1/2	-	-	-	-	-	●	●

4

Mark	Display Output
V	Voltage type 1-5V
A	Current type 4-20mA

※ Please contact CHELIC for customized type A current

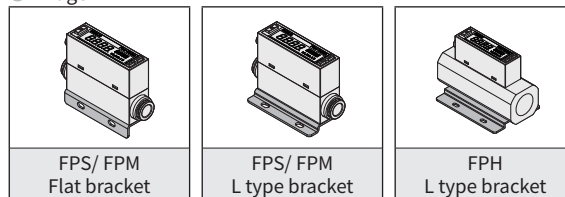
5

Mark	Switch Output
N	NPN Output
P	PNP Output

6

Mark	Bracket	FPS	FPM	FPH
None	-	No bracket		
B	Flat bracket	●	●	-
L	L type bracket	●	●	●

● Image



7

Mark	Cable Connector	Image
None	Without cable	—
S	Straight type 2m	
H	Angle type 2m	

CVTR

CVAR

CMT

CMA

FP

FPX

FC

FC-D

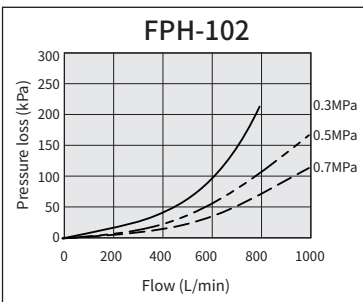
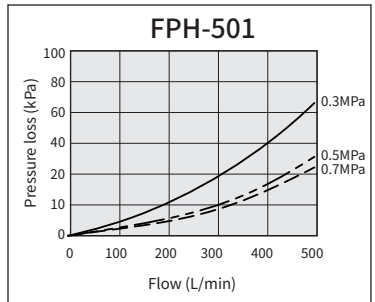
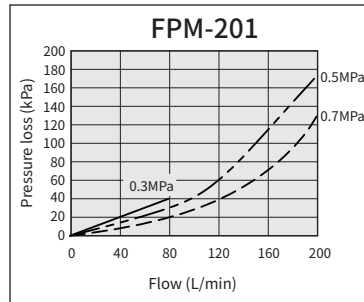
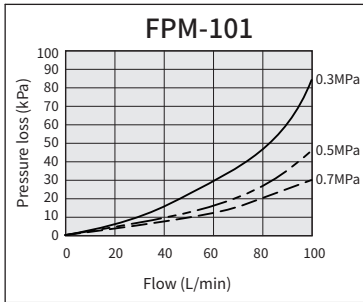
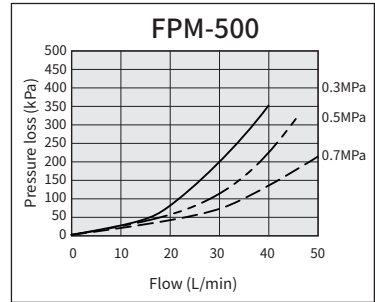
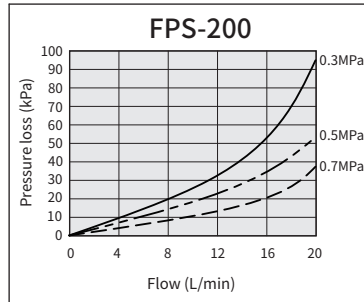
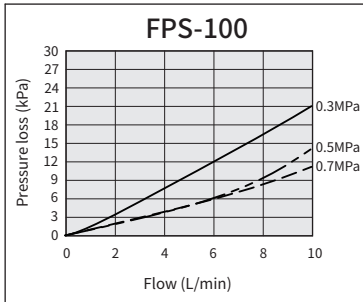
FC-R

# FP series Differential Pressure Type Flow Switch

## Characteristics graph

CHELIC

### Pressure loss characteristics

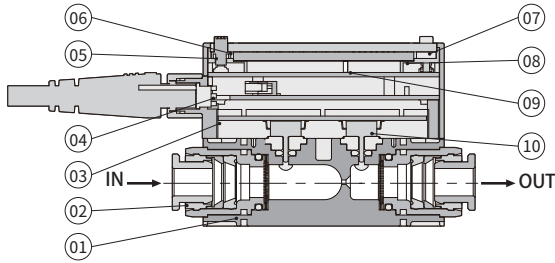


# FP series Differential Pressure Type Flow Switch

## Product features

CHELIC

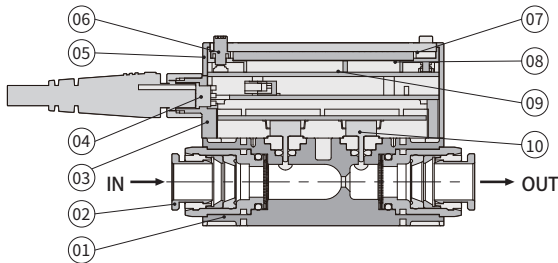
### FPS



### Components and Material list

No.	Item	Material
1	Main body	Nylon fiber
2	Fitting assembly	Brass
3	Cover of sensor module	Nylon
4	QD transfer circuit board	PCB
5	Cover	ABS resin
6	Bottom	Silicone
7	Acrylic display frame	Acrylic
8	LCD	-
9	LCD support bracket	Polycarbonate
10	Flow sensor module	PCB

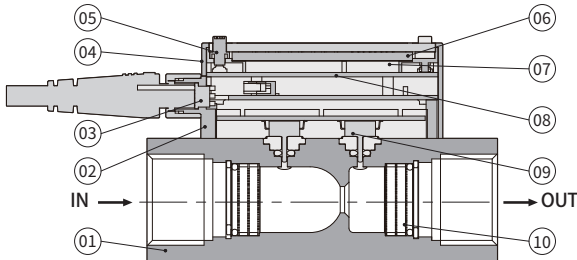
### FPM



### Components and Material list

No.	Item	Material
1	Main body	Nylon fiber
2	Fitting assembly	Brass
3	Cover of sensor module	Nylon
4	QD transfer circuit board	PCB
5	Cover	ABS resin
6	Bottom	Silicone
7	Acrylic display frame	Acrylic
8	LCD	-
9	LCD support bracket	Polycarbonate
10	Flow sensor module	PCB

### FPH



### Components and Material list

No.	Item	Material
1	Main body	Nylon fiber
2	Cover of sensor module	Nylon
3	QD transfer circuit board	PCB
4	Cover	ABS resin
5	Bottom	Silicone
6	Acrylic display frame	Acrylic
7	LCD	-
8	LCD support bracket	Polycarbonate
9	Flow sensor module	PCB
10	Fairing board	Stainless steel

CVTR

CVAR

CMT

CMA

FP

FPX

FC

FC-D

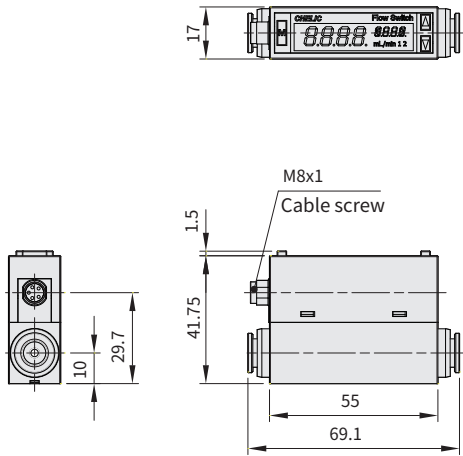
FC-R

# FP series Differential Pressure Type Flow Switch

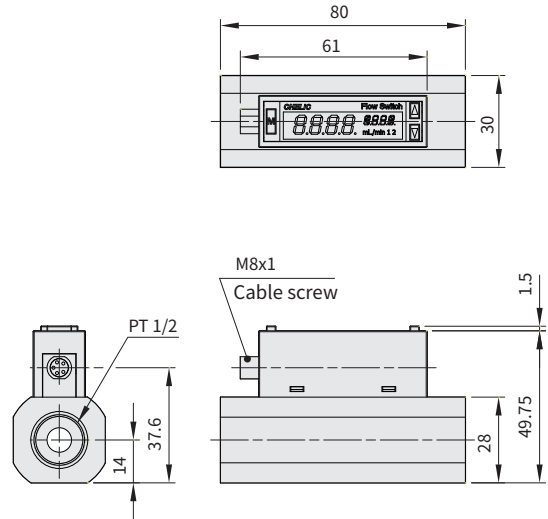
## Dimensions

CHELIC

### FPS/ FPM

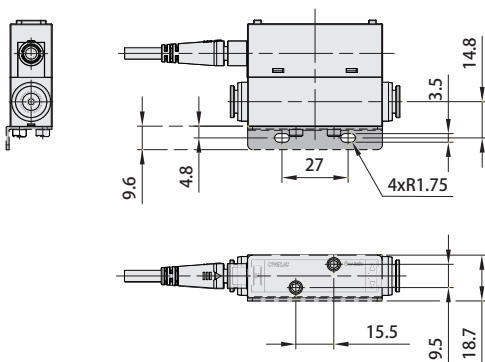


### FPH

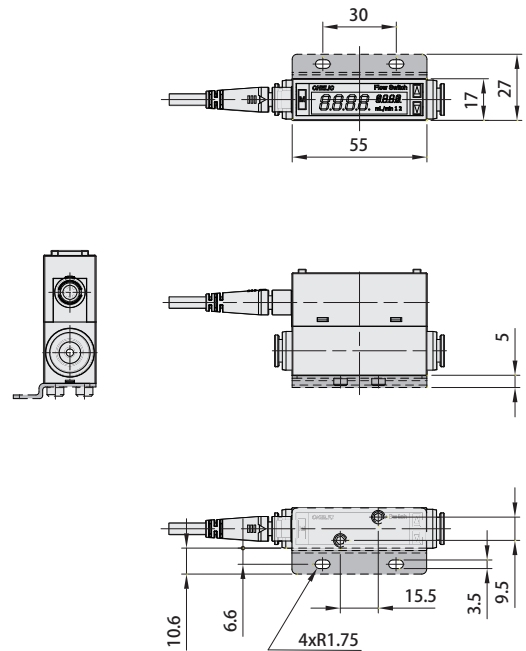


### FPS/ FPM Bracket

#### Flat bracket-B



#### L type bracket-L



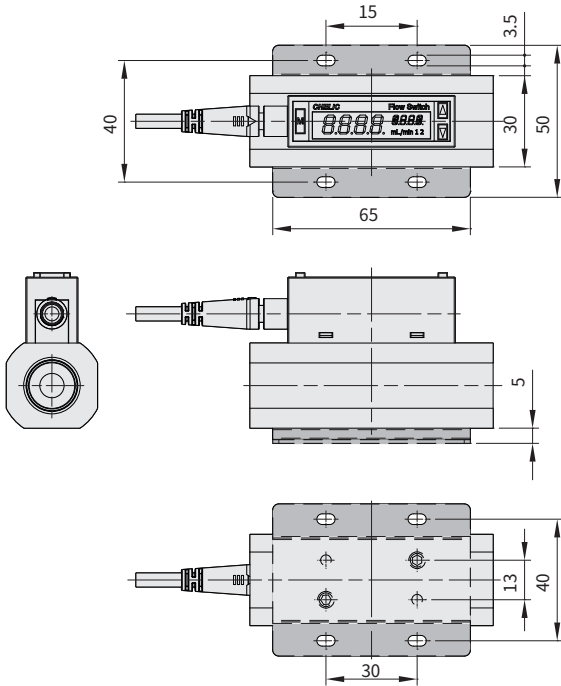
# FP series Differential Pressure Type Flow Switch

Dimensions/ Wire connector

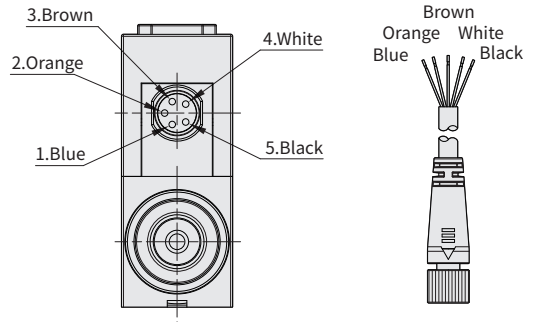
CHELIC

## FPH Bracket

### L type bracket-L



## FP series wire connector

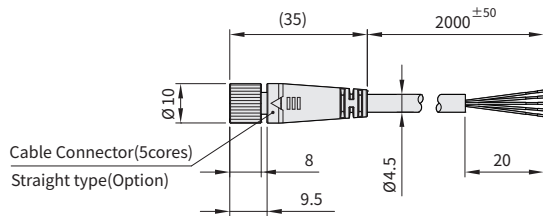
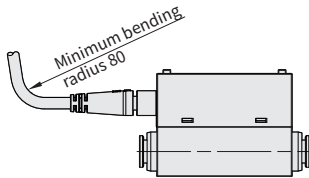


PIN	Color	Specification
01	Blue	Power-(GND)
02	Orange	Voltage output: 1-5V Load impedance 50kΩ or above Current output: 4-20mA Load impedance 300kΩ or less
03	Brown	Power+( 24V )
04	White	CH1 (Switch output : max : 50mA)
05	Black	CH2 (Switch output2: max : 50mA)

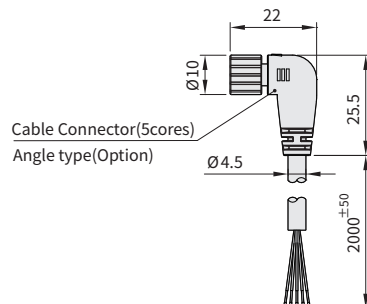
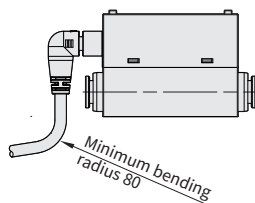
※The cable connector also has a angle type with connector is downward lead (OUT).  
 ※The cable connector cannot be rotated. It will cause damaged if it rotated hard.

## Fitting size graph

### Straight type -S



### Angle type -H



CVTR

CVAR

CMT

CMA

FP

FPX

FC

FC-D

FC-R



# General Cautions for FP/ FPX/ FC series

CHELIC

Safety notice

## Applicable Fluid



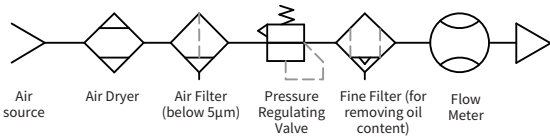
### DANGER

- Do not use the product with the flammable gas.



### WARNING

- Let the fluid flow after adjusting the Pressure Regulating Valve.  
(To avoid feeding the flow with pressure exceeding the rated value as to cause the damage.)
- Do not use the product as the metering gauge.  
(This product is incompatible with the metering method. Please use it in industrial sensing purpose.)
- Do not use the fluid other than the recommended product.
- As the fluid may contain impurities, the filter should be installed at the front section.  
(It should be provided with relevant air loop).



### CAUTION

- Use the dry gas that does not contain corrosive compositions such as chlorine and sulfur. Further, it shall also be the clean gas without any dust or oil mist.
- Please use the pressure according to the rating specified in the Specification, otherwise it will affect the service life of the sensor.
- If the compressive air contains massive amount of condensate, then it may cause the defects of this product or other type of pneumatic components. Therefore, it should be provided with Rear Cooler, Air Dryer and Condensate Collector, etc.
- Excessive carbon powder produced by the Air Compressor may attach to the internal side of the product as to cause defective action.
- Due to the varied pressure-resistant level of the respective product model, care should be used when selecting the desired model.  
(If the flow rate is exceeding the required level, it will cause the product damage.)

## Applicable Environment



### DANGER

- Do not use this product in an environment containing explosive gas.



### WARNING

- Do not use this product in the location subjecting to surging voltage.
- Do not use this product in the corrosive environment.
- Environment temperature/ gas temperature  
(This product should be used within 0~50°C of environment/ gas temperature range.)



### CAUTION

- Do not use this product in an environment where temperature is violently fluctuating.  
(The location subjecting to abnormal temperature change and circulation will affect the accuracy.)
- Water-resistant environment.  
(Except for that FPX model belongs to IP65 class, the rest of others are rated at IP40 class. Do not install this product in a location filled with moisture, salty mist and dust to avoid damage.)

## Installation



### WARNING

- Please watch the flowing direction of the fluid.  
(The flowing direction should be that indicated by the arrow symbol as being marked on the main body.)
- Before starting the installation, please remove the residual dirt from the pipeline with air purging method.
- Falling and tapping actions are not allowed.  
(If applying excessive impact, it may lead to internal damage.)
- Please hold the main body firmly when installing the product.  
(During the installation, do not drag the power cord to avoid damage that may be caused by excessive dragging force.)
- Do not install the flow meter at the position underneath the pipeline legs.



### CAUTION

- The flow rate displayed in the LCD of this product may be blurred due to the angle.  
When installing, keep the product from attaching to the main body too tightly. When both units are heated, it will force the temperature to rise as to cause the change of the main body or the deterioration of the resin material.  
(Please maintain over 10mm of interval.)
- Please fasten the flow meter with appropriate torsional force.





# General Cautions for FP/ FPX/ FC series

CHELIC

Safety notice

## Wiring



### DANGER

- Be sure to use the rated voltage for the voltage and the output of the power source.  
(If the voltage applied is higher than the specified rating, it may cause the product damage or the electrocution and even the fire in severest scenario.)



### WARNING

- Avoid the overload or the short circuit.  
(This product is provided with overload protection, but it cannot prevent all of the incorrect wiring. Therefore, the wires should be carefully deployed.)
- Please confirm the insulation of the wires used.  
(Prevent the wires from mixing with or contacting other type of circuit, as it may lead to over-current as to cause the damage.)
- Do not install the electrical wires and the power wires in the same wiring line.  
(Please use different wires to prevent the interference from the switch-included control circuit as to cause the false action.)
- Do not execute the wiring action when the product is carrying the current.  
(To avoid causing the connector damage or the electrocution risks.)
- When installing this product and the wires, please keep them away from the noise source such as the wires carrying strong current. Please also take necessary protective action to prevent the surge applied to the power cord, otherwise it may cause the change in displaying or outputting.
- Do not touch the terminal or the connecting board when the flow meter is operating.  
(To avoid electrocution, operation errors or switch damage.)



### CAUTION

- The cable connector of this product is provided with a protective gland in order to prevent problems that may be caused by defective reasons such as impurities.
- During the wiring process, be sure to confirm the wire color and the terminal number.  
(Incorrect wiring will cause the switch damage, failure and false action. For this reason, be sure to confirm the wire color and the terminal number in the Operation Instructions before starting the wiring process. In the meantime, please also use the DC power provided with sufficient capacity and less fluctuation.)

Applicable FC/ FP Series		
PIN No.	Wire Color	Description
01	Brown	Power + (24V)
02	Orange	Voltage output: 0.5~4.5V/1~5, with load impedance over 50kΩ. Current output: 4~20mA, with load impedance below 300Ω.
03	White	CH1 (Switch Output 1: max. 50mA)
04	Black	CH2 (Switch Output 2: max. 50mA)
05	Blue	Power - (GND)

Applicable FPX Series		
PIN No.	Wire Color	Description
01	Black	Switch Output: max. 50mA
02	Brown	Power + (24V)
03	Blue	Power - (GND)
04	White	Voltage output: 1.5V or 0-10V Current output: Load impedance - 4~20mA

Please arrange the wires according to the method indicated above when inserting the cable into the socket of the main body.

## Piping



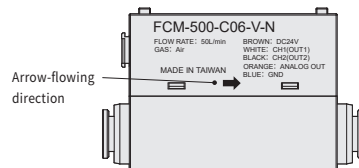
### WARNING

- When installing the pipeline, the anti-leakage tape should be wrapped starting from the internal side that is located over 2mm from the pipe threads and then wrap towards the thread direction and its reverse direction alternately to prevent the air leakage as to affect the accuracy.
- The pipeline connecting to the Air Compressor shall not get loosened due to vibration, releasing or tension effect.
- When using the fast coupler, be sure to insert the hose and the start the use after confirming that it is impossible to pull out the hose. When cutting the hose, be sure that the pipe is being cut into vertical profile so as to proceed with the final cutting.
- When checking the leakage of the pipeline, do not let the leakage inspection liquid flow into the product.



### CAUTION

- Do not turn the connector when the product is subjected to fluid pressure, or it may cause the external leakage.
- When dismantling or replacing the pipeline port, it may present 2~3% of change in accuracy.
- The diameter of the rear-end pipe should be wider than that of this product.
- Because the flow meter of this product is designed in one-way flowing type, be sure to watch the flowing direction before starting the piping work.





# General Cautions for FP/ FPX/ FC series

CHELIC

## Fluid Measuring



### WARNING

- Please use this product in a location without the falling impact or vibration concern. During the installation and the moving process, this product should be handled by considering as the precision machine.
- Please confirm that the Pressure Regulating Valve or the Throttle Valve has been properly adjusted before letting the fluid flow.  
(Watch the pressure upper limit, as the sensor may damage if exceeding the rated pressure.)
- To prevent foreign matters from mixing with the fluid, be sure to install additional filter at the primary side of the product in order to prevent the foreign matter from blocking as to affect the accuracy.
- When measuring the fluid, please use the fluid specified in the product catalogue.  
(The accuracy will vary depending on the density of the fluid.)
- When measuring the flow rate with this product, it shall be used within the rated flow rate and the rated pressure range suitable for such model.
- Do not attempt to turn the connector when this product is applying the fluid pressure, or it may cause the external leakage of the pipeline. Further, it is also required to check if the connector is securely fixed in position.
- Be sure to starting power when the flow rate falls to the "Zero" baseline.
- Flow rate unit  
(The flow meter will be measured according to the mass flow rate that will not be affected by temperature and pressure. Therefore, the measuring unit selected will be L/min which represents the volumetric flow rate by translating the mass flow rate to 00C, 101.3 kPa based volumetric flow rate.)

### 【 FP/ FPX Series 】

- When resetting the flow rate to zero instantly (under saturated pressure), the hysteresis phenomenon will be presented for the differential pressure allowing the displayed flow to be reset to zero gradually. However, such kind of phenomenon will not happen when discharging the flow rate to the atmosphere.



### CAUTION

- When using this product, be sure to set up the standby time. (longer than 5 minutes after being supplied with power).

### 【 FC Series 】

- When the meter is empty and when longer standby time is required, the LCD of the Thermal Mass Flow Meter may present trivial shifting sign due to internal temperature.
- When sustaining the vibration, the Needle Valve of (FC-R) Speed-regulating Flow Meter may rotate as to change the flow rate. Therefore, the knob fixing lock should be turned tightly.

### 【 FP/ FPX Series 】

- After being supplied with power, this product will execute the self-diagnosis automatically and the flow rate inspection will remain inactive for a short period of time. For this reason, please set the control circuit and the program in order to ignore the signal being transmitted during the first 5 seconds of time after the product is supplied with power.
- When using this product without any fluid, be sure to supply the power and then charge the gas to ensure that the product zero point will be correctly calibrated.
- When using the Differential Flow Meter, ensure that stabilized pressure source will be provided.
- If the flow path outlet of the Differential Flow Meter is facing directly to the atmosphere, the sensing accuracy should be below  $\pm 3\%$ . In the event the rear-end of the outlet is provided with a Speed Regulating Valve for regulating the flow rate, then its sensing accuracy should be below  $\pm 5\%$ .
- When using FP/FPX series of larger-sized flow meter, its working pressure should be over 5 bars. If less than 5 bars, then the working scope of the measurable flow rate will be reduced accordingly.
- The flow rate will become zero during the pressure saturating process. In this case, the pressure will present trivial amount of differential change that it may cause the shifting of the zero-point value.

## Maintenance and Inspection



### WARNING

- Please conduct the periodic inspection and confirm that the machine is operating normally.
- If failing to follow the instructions provided in the Operation Instructions, it would be impossible to ensure the machine safety.
- Do not attempt to dismantle or modify the structure of this product, as it may cause the incorrect accuracy or the sensor damage.
- When carrying out the maintenance or the inspection, be sure to stop the machine from operating, shut down the power and release the gas from the pipeline.



### CAUTION

- Do not wipe this product with chemical agent such as volatile oil or thinner.
- Do not insert a rod into the pipeline to prevent from scratching the internal side.
- If any anomaly emerges during the operating process, be sure to cut off the power, stop the machine from operating and then contact the dealer.
- When using the LCD display model, do not press the display area to prevent the display panel from damage or failure.