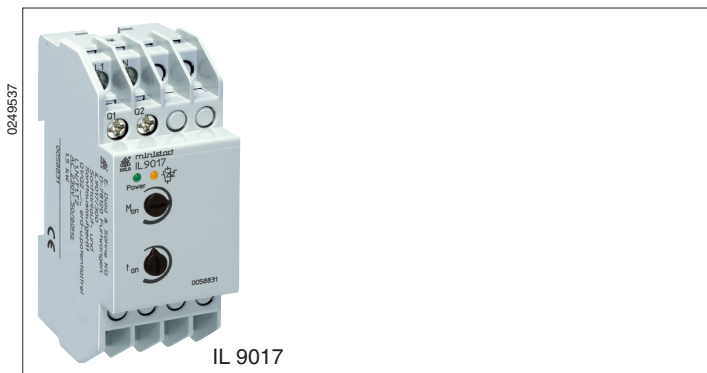


MINISTART
Softstarter With Softstop
IL 9017/300

Translation
of the original instructions

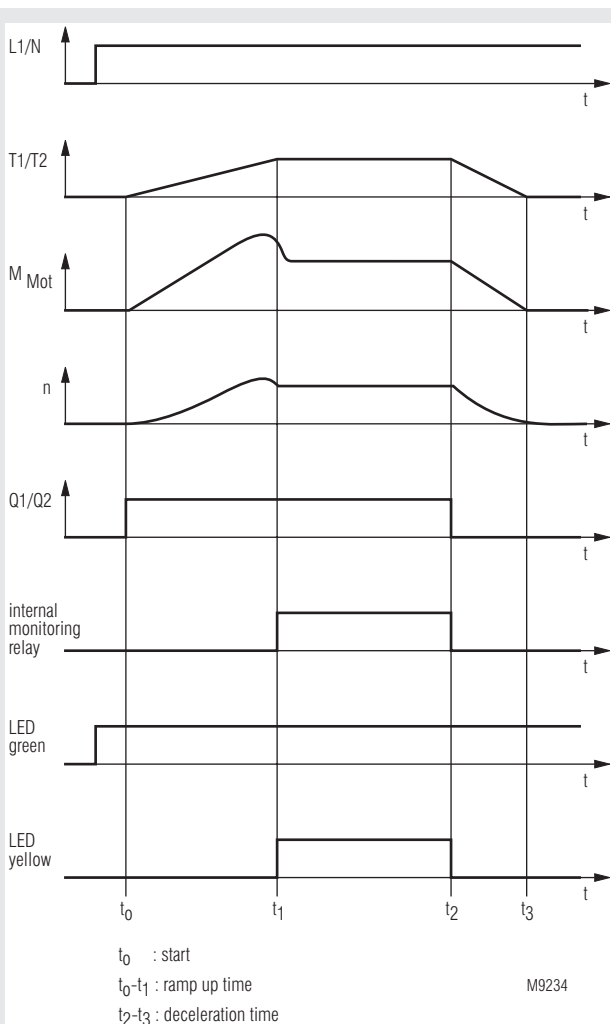


0249537

IL 9017

- According to IEC/EN 60947-4-2
- Increases life of 1-phase squirrel motors and mechanical drives
- For single phase motors up to 1.5 kW
- Adjustable ramp time/deceleration time and starting torque/ deceleration torque
- Control input for Start/Stop
- Semiconductors will be bridged after start up
- LED indication
- Width 35 mm

Function Diagram



Approvals and Markings



Applications

- Drives with gears, belts or chains
- Conveyor belts, fans
- Pumps, compressors

Function

These softstart and softstop devices are robust electronic control units for softstart and softstop of AC motors. By means of phase-angle control the current rises e. g drops continuously. The motor torque behaves in the same way during start-up e.g. deceleration. This ensures that the drive can start and stop without jerking. This eliminates the risk of damage to drive elements because the sudden starting e.g. deceleration torque does not occur during direct switch-on. This feature allows a low-cost design of the drive elements. A significant reduction in starting noise can also be observed.

In belt conveyor systems, slippage or tipping over of the conveyed material is avoided. After successful start-up, the power electronics are bridged by means of an internal relay contact in order to minimise the losses in the device.

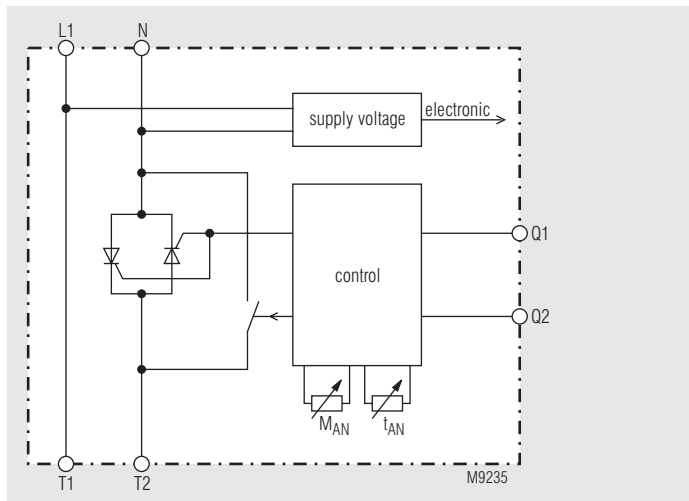
Indicators

- LED green: Softstart is on voltage
- LED yellow: On, when power semiconductors is bridged, short flashing when mains frequency is outside limits

Connection Terminals

Terminal designation	Signal description
L1	Phase voltage L
N	Neutral
T1	Motor connection T1
T2	Motor connection T2
Q1	Control contact
Q2	Control contact

Block Diagram



Notes

The speed setting of drives is not possible with these devices. Likewise, no pronounced soft starting behaviour is achieved in uncoupled state, i.e. without load. If the power semiconductor is to be protected against short-circuit or ground fault during start-up, a semiconductor fuse (see technical data) must be used. Otherwise, the usual cable and motor protection measures must be applied. In case of high switching frequency, monitoring the winding temperature is recommended as a motor protection measure. The soft starter must not be operated with a capacitive load, such as reactive power compensation, at the output.

To ensure the safety of persons and systems, only suitably qualified personnel may work on this device.

Technical Data

Nominal voltage U_N:	AC 230 V	-15 %	+10 %
Nominal frequency:	50 / 60 Hz		
Nominal motor power P_N:	1.5 kW		
Min. motor power:	Approx. 0.1 P_N		
Nominal current:	10 A		
Semiconductor fuse:	Max. 340 A ² s		
Starting torque			
deceleration torque:	20 ... 70 %		
Ramp-up time/ deceleration time:	0.1 ... 10 s		
Recovery time:	45 ms		
Switching frequency:	10/h at $3 \times I_r / t_{an} = 10$ s, $\vartheta_U = 20$ °C		
Power consumption:	1.4 VA		
Short circuit strength			
Max. fuse rating:	25 A gG / gL		IEC/EN 60947-5-1
Assignment type:	1		
Electrical life:	> 10 x 10 ⁶ switching cycles		

General Data

Operating mode:	Continuous operation
Temperature range	
Operation:	0 ... + 55 °C
	At an altitude of > 1000 m the maximum permissible temperature reduces by 0.5 °C / 100 m
Storage:	- 25 ... + 75 °C
Relative air humidity:	93% at 40 °C
Altitude:	≤ 2000 m

Clearance and creepage distances	
Overvoltage category:	III
Rated impulse voltage / pollution degree:	4 kV / 2 IEC 60664-1

EMC	
Interference resistance	
Electrostatic discharge:	8 kV (air) IEC/EN 61000-4-2
HF irradiation	
80 Mhz ... 1.0 GHz:	10 V/m IEC/EN 61000-4-3
1.0 GHz ... 2.5 GHz:	3 V/m IEC/EN 61000-4-3
2.5 GHz ... 2.7 GHz:	1 V/m IEC/EN 61000-4-3
Fast transients:	2 kV IEC/EN 61000-4-4

Surge voltages	
between wires for power supply:	1 kV IEC/EN 61000-4-5
between wire and ground:	2 kV IEC/EN 61000-4-5
HF wire guided:	10 V IEC/EN 61000-4-6

Interference emission	
Wire guided:	Limit value class B IEC/EN 60947-4-2
Radio irradiation:	Limit value class B IEC/EN 60947-4-2

Degree of protection	
Housing:	IP 40 IEC/EN 60529
Terminals:	IP 20 IEC/EN 60529

Housing:	Thermoplastic with V0 behaviour according to UL subject 94
Vibration resistance:	Amplitude 0.35 mm, IEC/EN 60068-2-6 frequency 10 ... 55 Hz

Climate resistance:	0 / 055 / 04 IEC/EN 60068-1
----------------------------	-----------------------------

Terminal designation:	EN 50005
Wire connection:	2 x 2.5 mm ² solid or 2 x 1.5 mm ² stranded ferruled DIN 46228-1/-2/-3

Stripping length:	Max. 10 mm
-------------------	------------

Technical Data

Wire fixing:	Flat terminals with self-lifting clamping piece IEC/EN 60999-1
Fixing torque:	Max. 0.8 Nm
Mounting:	DIN rail IEC/EN 60715
Weight:	135 g

Dimensions

Width x height x depth:	35 x 90 x 61 mm
--------------------------------	-----------------

Standard Type

IL 9017/300 AC 230 V 1.5 kW	
Article number:	0058831
• Nominal voltage U_N :	AC 230 V
• For motors up to 1.5 kW	
• Width:	35 mm

Setting Facilities

Ramp up/deceleration time: With potentiometer $t_{on,off}$ the ramp up and deceleration time can be adjusted within the range 0.1 to 10 s.

Starting and deceleration torque: With potentiometer $M_{on,off}$ the starting torque and the deceleration torque can be adjusted in the range of 20 to 70 % of the max. value.

Set-up Procedure

1. Set potentiometer "M_{on,off}" fully anti-clockwise
Set potentiometer "t_{on,off}" fully clockwise
2. Start motor by closing contact input Q1-Q2. If the motor does not start, interrupt the process and adjust "M_{on,off}" to a higher value. New start.
3. Adjust potentiometer "t_{on,off}" to give the desired ramp time.
Stop and restart the motor, readjusting the potentiometers until the desired starting characteristics are achieved.

Attention: If the ramp-up time is adjusted to short, the internal bridging contact closes before the motor is on full speed. This may damage the bridging relay. Changes on potentiometer settings are only accepted in the waiting for start status.

Application Example

