

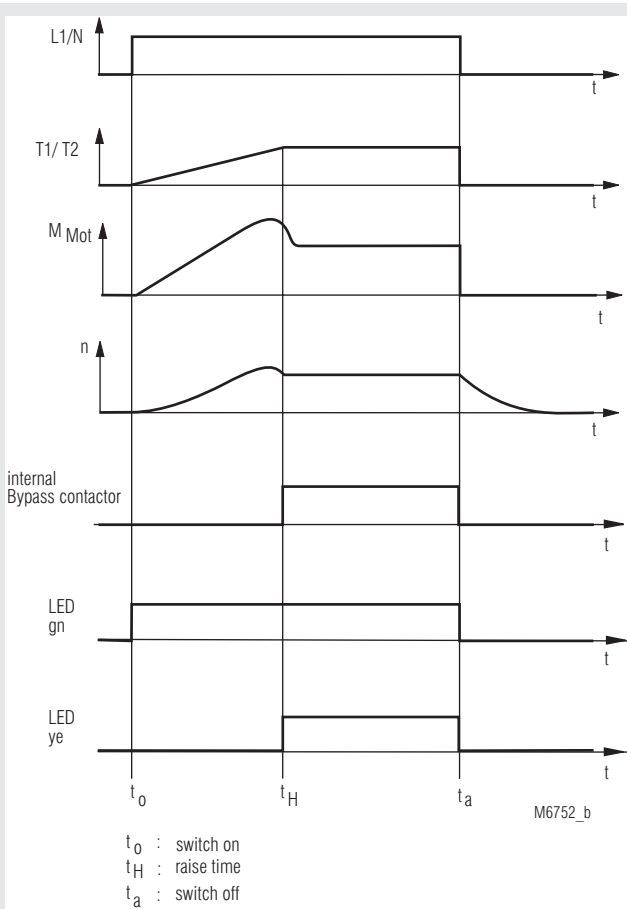
MINISTART
Softstarter
IL 9017, SL 9017

Translation
of the original instructions



- According to IEC/EN 60947-4-2
- Increases life of 1-phase squirrel motors and mechanical drives
- For single phase motors up to 1.5 kW
- Adjustable ramp time and starting torque
- Semiconductors will be bridged after start up
- LED indication
- Devices available in 2 enclosure version:
 IL 9017: Depth 61 mm with terminals at the bottom for installations systems and industrial distribution systems according to DIN 43880
 SL 9017: Depth 100 mm with terminals at the top for cabinets with mounting plate and cable duct
- Width 35 mm

Function Diagram



Approvals and Markings



Applications

- Drives with gears, belts or chains
- Conveyor belts, fans
- Pumps, compressors

Function

These soft starters are robust electronic control units for soft starting of AC motors. By means of phase-angle control the current rises continuously. The motor torque behaves in the same way during start-up. This ensures that the drive can start without jerking. This eliminates the risk of damage to drive elements because the sudden starting torque does not occur during direct switch-on. This feature allows a low-cost design of the drive elements. A significant reduction in starting noise can also be observed. In belt conveyor systems, slippage or tipping over of the conveyed material is avoided. After successful start-up, the power electronics are bridged by means of an internal relay contact in order to minimise the losses in the device.

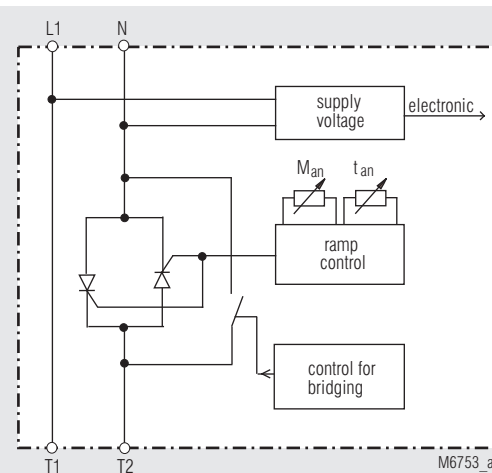
Indicators

- LED green: Supply connected on softstarter
- LED yellow: On, when power semiconductors is bridged

Connection Terminals

Terminal designation	Signal description
L1	Phase voltage L
N	Neutral
T1	Motor connection T1
T2	Motor connection T2

Block Diagram



Notes

The speed setting of drives is not possible with these devices. Likewise, no pronounced soft starting behaviour is achieved in uncoupled state, i.e. without load. If the power semiconductor is to be protected against short-circuit or ground fault during start-up, a semiconductor fuse (see technical data) must be used. Otherwise, the usual cable and motor protection measures must be applied. In case of high switching frequency, monitoring the winding temperature is recommended as a motor protection measure. The soft starter must not be operated with a capacitive load, such as reactive power compensation, at the output.

To ensure the safety of persons and systems, only suitably qualified personnel may work on this device.

Technical Data

Nominal voltage U_N:	AC 230 V	-20 %	+10 %
Nominal frequency:	50 / 60 Hz		
Nominal motor power P_N:	1.5 kW		
Min. motor power:	Approx. 0.1 P_N		
Nominal current:	10 A		
Semiconductor fuse:	Max. 340 A ² s		
Starting voltage:	20 ... 70 %		
Acceleration time at starting voltage 20 %:	0.1 ... 10 s		
Recovery time:	200 ms		
Switching frequency:	10/h at $3 \times I_N / t_{AN} = 10 \text{ s}$, $\vartheta_U = 20 \text{ }^\circ\text{C}$		
Power consumption:	1.4 VA		
Short circuit strength			
Max. fuse rating:	25 A gG / gL		IEC/EN 60947-5-1
Assignment type:	1		
Electrical life:	> 10 x 10 ⁶ switching cycles		

General Data

Operating mode:	Continuous operation		
Temperature range			
Operation:	0 ... + 55 °C		
	At an altitude of > 1000 m the maximum permissible temperature reduces by 0.5 °C / 100 m		
Storage:	- 25 ... + 75 °C		
Relative air humidity:	93% at 40 °C		
Altitude:	≤ 2000 m		
Clearance and creepage distances			
Overvoltage category:	III		
Rated impulse voltage / pollution degree:	4 kV / 2		IEC 60664-1
EMC			
Interference resistance			
Electrostatic discharge:	8 kV (air)		IEC/EN 61000-4-2
HF irradiation			
80 Mhz ... 1.0 GHz:	10 V/m		IEC/EN 61000-4-3
1.0 GHz ... 2.5 GHz:	3 V/m		IEC/EN 61000-4-3
2.5 GHz ... 2.7 GHz:	1 V/m		IEC/EN 61000-4-3
Fast transients:	2 kV		IEC/EN 61000-4-4
Surge voltages between			
wires for power supply:	1 kV		IEC/EN 61000-4-5
between wire and ground:	2 kV		IEC/EN 61000-4-5
HF wire guided:	10 V		IEC/EN 61000-4-6
Interference emission			
Wire guided:	Limit value class B		IEC/EN 60947-4-2
Radio irradiation:	Limit value class B		IEC/EN 60947-4-2
Degree of protection			
Housing:	IP 40		IEC/EN 60529
Terminals:	IP 20		IEC/EN 60529
Housing:	Thermoplastic with V0 behaviour according to UL subject 94		
Vibration resistance:	Amplitude 0.35 mm, frequency 10 ... 55 Hz		IEC/EN 60068-2-6
Climate resistance:	0 / 055 / 04		IEC/EN 60068-1
Terminal designation:	EN 50005		
Wire connection:	2 x 2.5 mm ² solid or 2 x 1.5 mm ² stranded ferruled		
	DIN 46228-1/-2/-3		
Stripping length:	Max. 10 mm		

Technical Data

Wire fixing:	Flat terminals with self-lifting clamping piece	IEC/EN 60999-1
Fixing torque:	Max. 0.8 Nm	
Mounting:	DIN rail	IEC/EN 60715
Weight		
IL 9017:	135 g	
SL 9017:	164 g	

Dimensions

Width x height x depth

IL 9017:	35 x 90 x 61 mm
SL 9017:	35 x 90 x 100 mm

Standard Type

IL 9017 AC 230 V 1.5 kW	
Article number:	0049323
SL 9017 AC 230 V 1.5 kW	
Article number:	0050603
• Nominal voltage U_N :	AC 230 V
• For motors up to 1.5 kW	
• Width:	35 mm

Setting Facilities

Ramp up time: With potentiometer "t_{an}" the ramp up time until the Triacs are bridged can be adjusted between 0.1 and 10 s.

Starting torque: With potentiometer "M_{an}" the starting torque can be adjusted between 0 and 75% of the maximum value.

Set-up Procedure

- Set potentiometer "M_{an}" to minimum (fully anti-clockwise)
Set potentiometer "t_{an}" to maximum (fully clockwise)
 - Start the motor and turn potentiometer "M_{an}" up until the motor starts to turn without excessive humming. Stop the motor and restart.
 - Adjust potentiometer "t_{an}" to give the desired ramp time.
Stop and restart the motor, readjusting the potentiometers until the desired starting characteristics are achieved.
- **Attention:** If the ramp-up time is adjusted to short, the internal bridging contact closes before the motor is on full speed.
This may damage the bridging contactor or bridging relay.



Application Example

