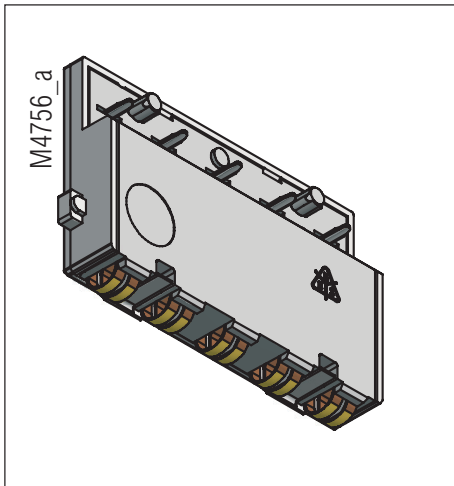


In-Rail-Bus

Spring contact block 5-poles, solderable
KS 4460-12



Approvals and Markings



*) in preparation

Your Advantage

- Gold-plated twin arched contacts ensure a permanent and reliable contact

Features

- Current carrying capacity up to 5A per contact spring
- Solder pins ensure a stable connection to the pcb
- Unlimited scalability covers all systems widths starting from 6 mm slices

Technical Data

Type	Dimension x	Dimension Y	
KS 4460-12.00 0 19	0,3	1,8	
KS 4460-12.01 1 19	1,05	3,2	
KS 4460-12.01 2 19	0	3,2	

Enclosure material: Polyamid PA46

Temperature stability

compl. with EN 75-1/2 (1.8 MPa): 290 °C

compl. with EN 75-1/2 (0.45 MPa): 290 °C

Flame retardancy

complying with UL 94: V-0

Bus rails:

5

Contact material:

Copper alloy, gold plated

Max. contact resistance

Spring contact block - bus element $\leq 20 \text{ m}\Omega$

Max. current carrying capacity: 5 A (per bus element); 25 A (max. total current)

Spring contact on bus element: 100 cN (double contacts)

Spring contact block fixing:

Spring contact block can be machine soldered; **use of heat-resistant plastic means no cover for the terminal block facing the soldering bath is required**

Creepage current resistance: CTI 325 $\hat{=}$ insulating material III a IEC 60 664-1

Air gap and creepage distance: $\geq 2.0 \text{ mm}$ IEC 60 664-1

Voltage U_{eff} : 63 V

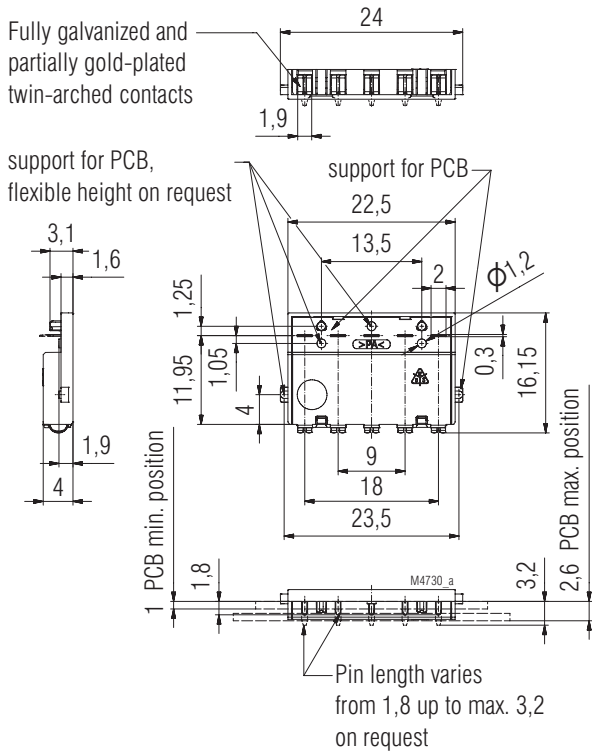
Overvoltage category: II

Rated impuls voltage U_{Bem} : 0.8 kV

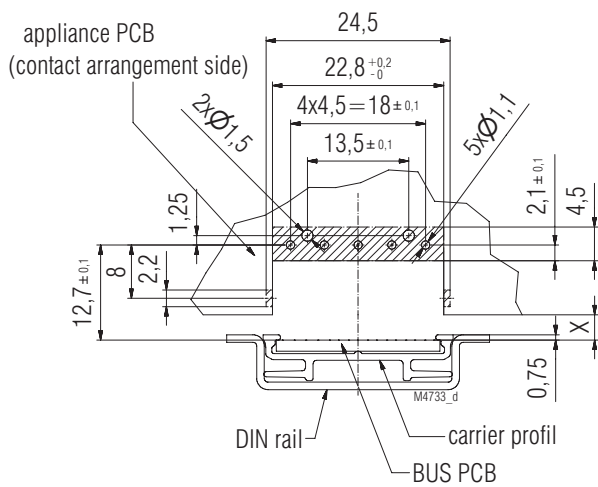
Pollution degree: 3

More informationen
see datasheet
In-Rail-Bus

Dimension



Drilling plan



X = distance, between BUS pcb and appliance pcb

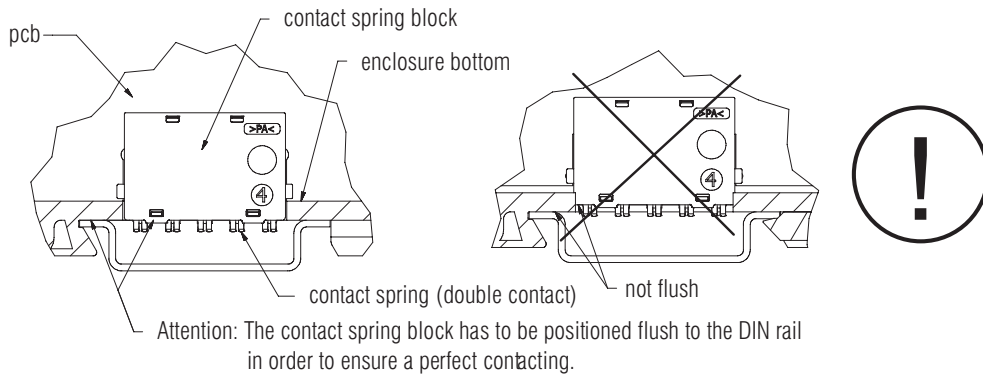
Land for soldering $\varnothing 2$

Blocked area

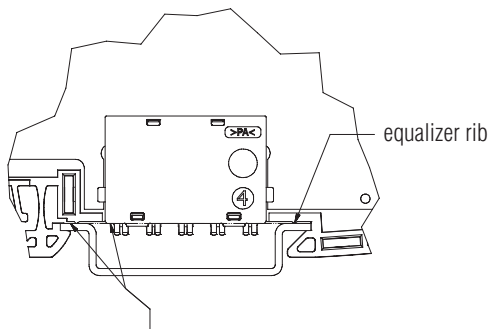
General tolerance: PERFAG 2 E

Configuration of the spring contact block

positioning of the contact spring block on the pcb, for enclosure series
KO4000; KO4030; KO4300; KU4000; KU4100 und KU4500



positioning of the contact spring block on the pcb; for enclosure series KS4400 and KS4460



Attention: The contact spring block has to be positioned flush to the DIN rail as otherwise the function is not guaranteed.

M20084_c

