

CHARACTERISTICS

- **FLOW RATE: 15 L/MIN MAX**
- **OPERATING PRESSURE 400 BAR PMAX**
- **AVAILABLE IN ATEX VERSION**
- **II2 GD T135°C IP 67 EEX D IIB T4**
- **TWO-WAY FLOW**
- **NO INTERACTION BETWEEN ELEMENTS ADN FLUID**
- **NO ENCRUSTATION OR LOCK DUE TO HIGH TEMPERATURES**
- **CONE VALVE**
- **WHITH ELECTRIC CONNECTOR**
- **FOR HIGH VISCOSITY LUBRICANT:
OIL 800cST MAX
GREASE NLGI 2 MAX**

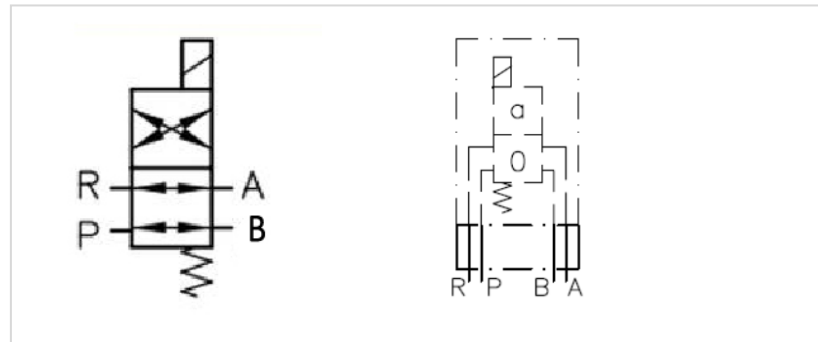
MODULAR DIRECTION VALVE LINE 4/2

The reverse solenoid valves are designed to allow the line inversion in dual line installations. Therefore combined with to a single-delivery pump allow to make a dual-line system.

These valves are able to operate with NLGI 2 grease and oil to MAX high viscosity, at a maximum pressure of 400 bar (5880 psi).



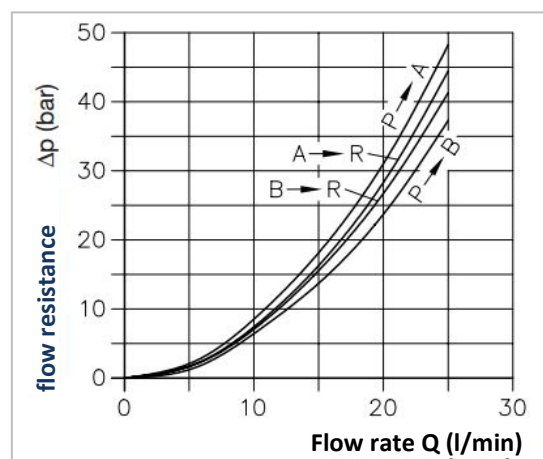
SYMBOLS



TECHNICAL INFORMATION

TECHNICAL FEATURES	
Maximum capacity	15 l/min MAX
Operating pressure	400 bar MAX
Type of construction	Valve conical seat
Fixing and pipe	Mounting base plate and connection block
Mounting position	Preferably vertically with the actuator upwards
Flow direction	Bidirectional
Drive	Electromagnetic
Temperature	- 40°C ÷ + 80°C (ATEX -35°C ÷ +40°C)
Oil temperature	-25 °C ÷ + 80°C (ATEX 70°C)
Weight	2,2 kg

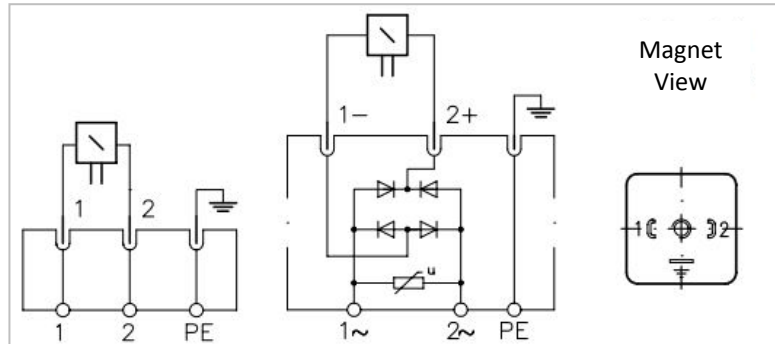
Δ p-Q Characteristics (approximate values)



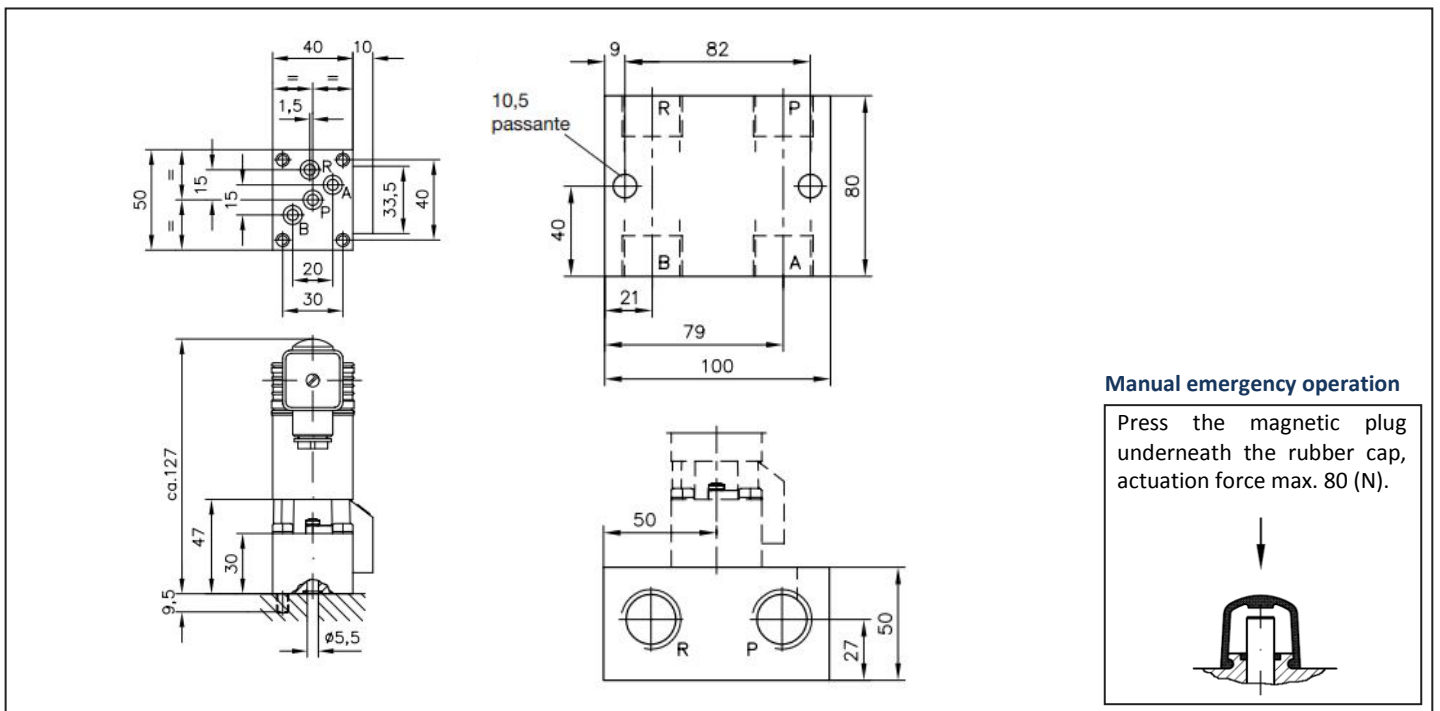
ELECTRICAL CONNECTIONS

DC voltage

AC voltage



DIMENSIONS



ORDERING INFORMATION

DESCRIPTION	ATTACK A, B, P, R, G	VOLTAGE	CODE	Q.ty
ELECTRIC SOLENOID	3/4 ISO 228/1	24V DC	3155194	<input type="radio"/> _____
		24V DC Atex	3078198	<input type="radio"/> _____
		110V 50/60 Hz	3155205	<input type="radio"/> _____
		230V 50/60 Hz	3155243	<input type="radio"/> _____