

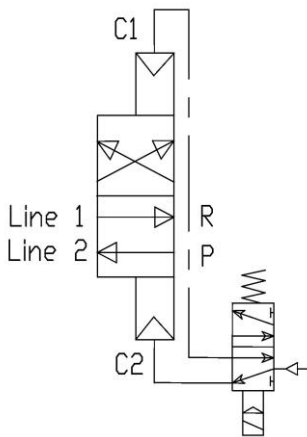
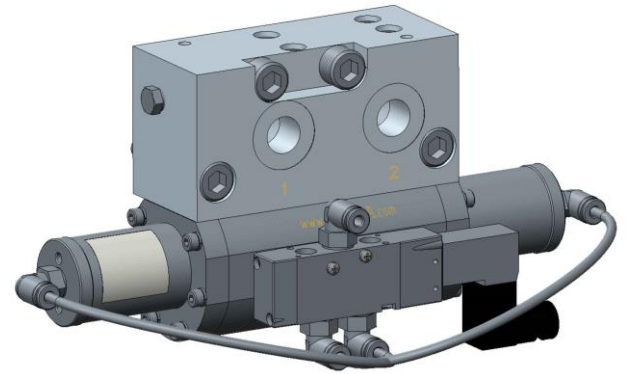


4/2 ELECTROPNEUMATIC VALVE

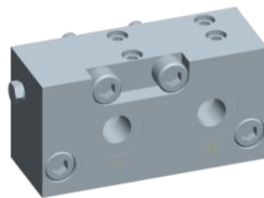
ELECTROPNEUMATIC VALVE (4/2)

The 4/2 ELECTROPNEUMATIC valve has been designed to control the supply of lubrication in dual-line systems (system O2). It is capable of operating with NLGI 2 MAX grease at a maximum pressure of 400 bar (5880 psi).

Its function entails alternatively establishing a connection with pump's supply and one of the two delivery lines, thereby simultaneously allowing a release in pressure in the other to occur. In a resting state, the valve closes both of the lines.



Upon pressurisation, the cylinder C1 switches from line 2 to line 1.
Upon pressurisation, the cylinder C2 switches from line 1 to line 2.



Adapter plate for **SUMO** and **Mini-SUMO** Dropsa pumps

APPLICATIONS

- **Dual-line systems:** reversal of the supply in dual-line systems.
- **Progressive systems and sectioning the lines:** by plugging outlet 1 or 2, the valve can also be used to section one branch of the lubrication system, or without plugging the outlet, to alternatively section two branches of the system.
- **Grease applications:** particularly suitable for grease, can be applied to any circuit that requires a 4/2 valve.

ADVANTAGES

- **Modular basis:** quick maintenance thereby minimising the machine downtimes and avoiding the risk of lubricant contamination.



Mini-SUMO

SUMO



4/2 ELECTROPNEUMATIC VALVE

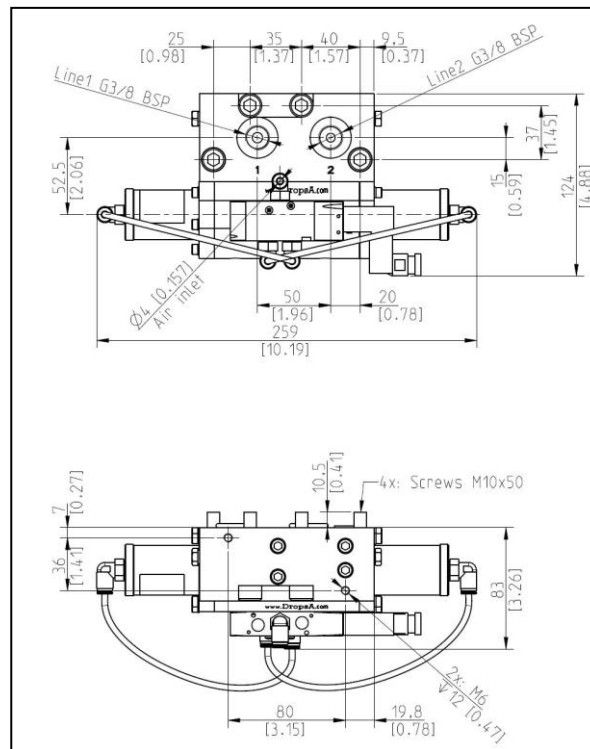
TECHNICAL ELECTRICAL SPECIFICATIONS

Supply voltage	24V DC/AC – 110/230V AC
Power consumption	1W (DC) – 3VA (AC)
Coil protection degree	IP 65
Input air pressure	3

HYDRAULIC SPECIFICATIONS

Max. flow rate	400 cc/min
Maximum operating pressures	400 bar
Outlet connection	G3/8" BSP
Temperature of use	- 10 ÷ + 50 °C (+14÷+122F)
Operating humidity	90% R.H.
Permitted lubricants	Grease max. NLGI2;
Storage temperature	-40 ÷ +65 °C (+40÷+149F)

DIMENSIONS



ORDER INFORMATION

4/2 ELECTROPNEUMATIC VALVE

Description	Code
24V DC	0083580
24V AC	0083581
110V AC	0083582
230V AC	0083583

OPTIONAL

Description	Code
Kit manometri (Raccordi + manometri)	3133910

SPARE PARTS

Description	Code
Solenoid valve 24V DC	3155154
Solenoid valve 24V AC	3155155
Solenoid valve 110V AC	3155156
Solenoid valve 230V AC	3155157
Valve/pump O-ring gaskets	3190500
Right pressure gauge	3292172
Left pressure gauge	3292171

Distributor Info: