

## Characteristics

- **Air MIN pressure**  
3 bar(44.1 psi);
- **Air MAX pressure**  
10 bar(147 psi);
- **Crossing section**  
80 mm<sup>2</sup>;
- **Driving voltage**  
24 Vdc -110 Vac;
- **Power absorption**  
4 W
- **Driving-air inlet**  
1/4" gas;
- **Lubricant outlet**  
1/2" gas cone.

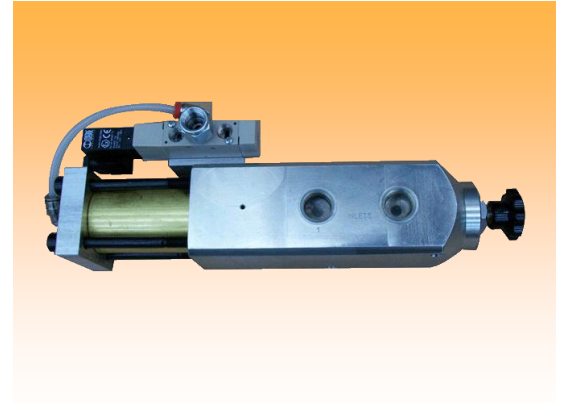
## 4/2 Electro-Pneumatic Valve

### Line 02 - Valves

This valve has been designed to control lubricant flow (oil and grease).

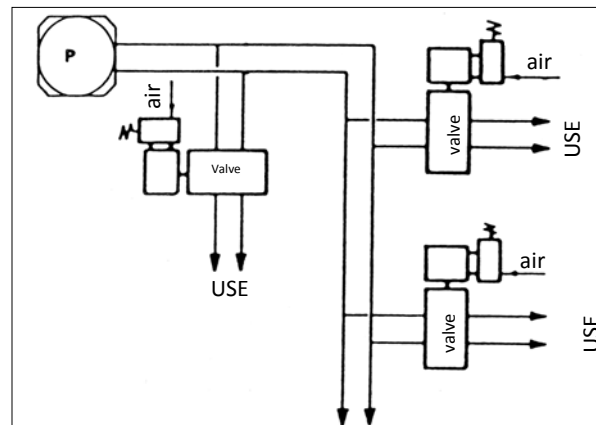
Piston is made of hardened and ground steel. It is driven by a pneumatic cylinder controlled by a solenoid valve.

This device is normally used in dual line lubrication systems, where it is necessary the remote including or excluding of some parts of plant.

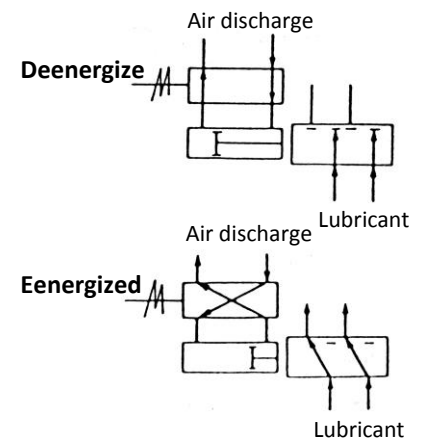


### Operation example

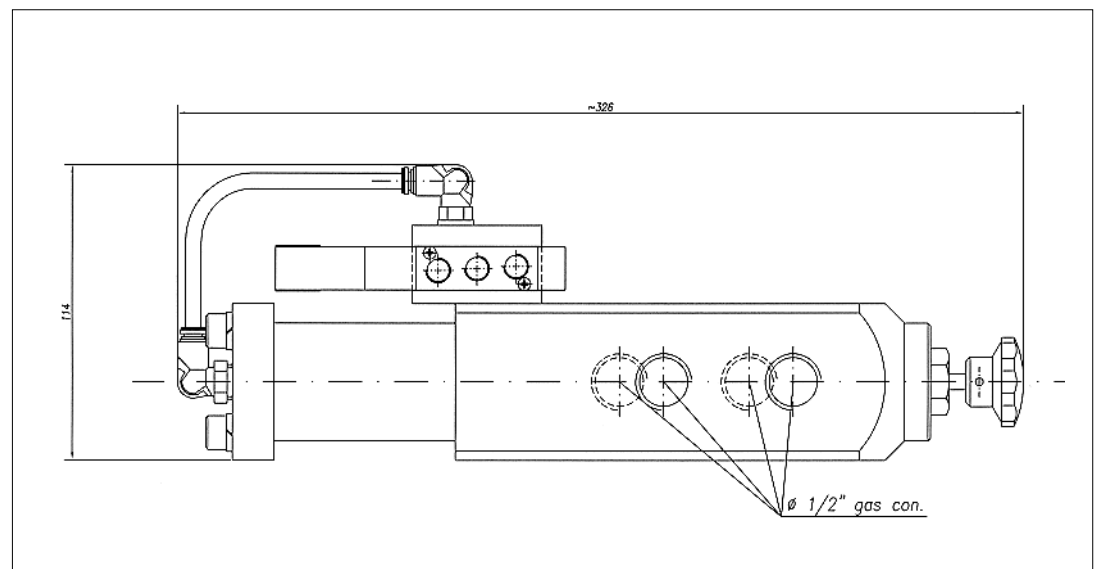
The following diagram is an example of operation. The pump P distributes the lubricant in the main line. The secondary lines are managed by an electro-pneumatic valve.



### Schematic symbol



### Dimensions



## Applications

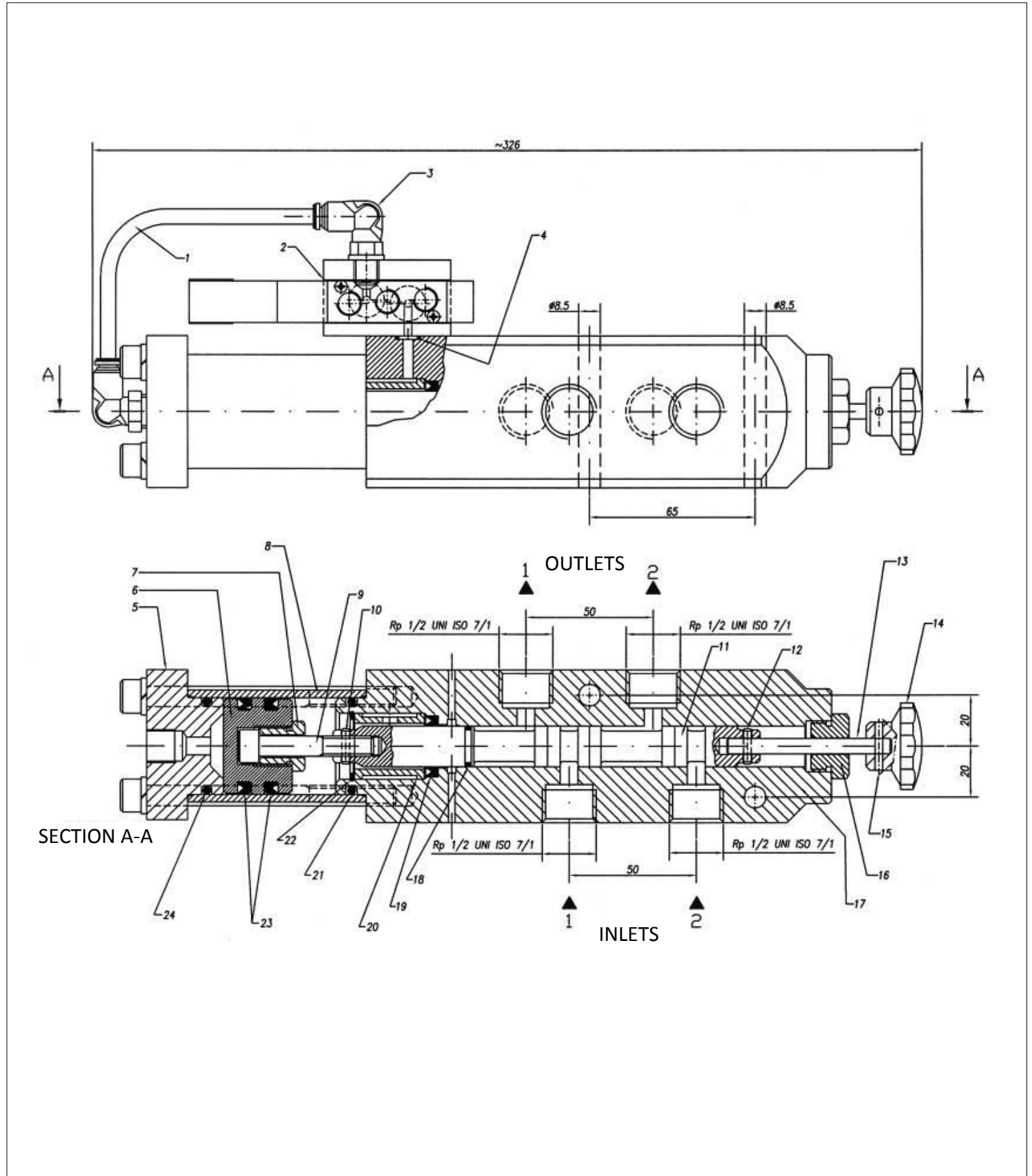
- This valve find interesting applications in cases where one or more machines included in a cycle of production must be excluded.

# 4/2 Electro-Pneumatic Valve

## Maintenance

At least once a year is necessary to disassemble the valve and provide for general cleaning. Check the seal of the gaskets.

### 4/2 Electro-pneumatic Valve 1651300/310





## Contacts

[www.dropsa.com](http://www.dropsa.com)  
[sales@dropsa.com](mailto:sales@dropsa.com)

### ITALIA

Dropsa SpA  
t. +39 02-250791  
f.+39 02-25079767

### U.K.

Dropsa (UK) Ltd  
t. +44 (0)1784-431177  
f. +44 (0)1784-438598

### GERMANY

Dropsa GmbH  
t. +49 (0)211-394-011  
f. +49 (0)211-394-013

### FRANCE

Dropsa Ame  
t. +33 (0)1-3993-0033  
f. +33 (0)1-3986-2636

### CHINA

Dropsa Lubrication Systems  
(Shanghai) Co.,Ltd  
t. +86 (021) 67740275  
f. +86 (021) 67740205

### U.S.A.

Dropsa Corporation  
t. +1 586-566-1540  
f. +1 586-566-1541

### AUSTRALIA

Dropsa Australia Ltd.  
t. +61 (0)2-9938-6644  
f. +61 (0)2-9938-6611

### BRAZIL

Dropsa Remonlub  
t. +55 (0)11-563-10007  
f. +55 (0)11-563-19408

## 4/2 Electro-Pneumatic Valve

### Order Informations

#### HOW TO ORDER

PART NR.	DESCRIPTION
<b>1651300</b>	Air solenoid - valve 110v 50//60 Hz
<b>1651310</b>	Elec-pneu incl-excl valve 24 V dc

#### SPARES PARTS

			VALVES PART NUMBER	
POS.	DESCRIPTION	SPARES P.NR.	1651300	1651310
1	Nylon tube	<b>5717301</b>	1	1
2	EV Kit 110 Vac	<b>3132568</b>	1	/
2	EV Kit 24 Vdc	<b>3132566</b>	/	1
3	Fitting 90° push in	<b>3084566</b>	1	1
4	Gasket	<b>0018806</b>	1	1
5	Cover	<b>0083907</b>	1	1
6	Piston	<b>0083905</b>	1	1
7	Fitting ch 17	<b>0083910</b>	1	1
8	Cylinder	<b>0083906</b>	1	1
9	Screw TC 8x45 with hole	<b>0083909</b>	1	1
10	Spirol 3x14	<b>0016812</b>	1	1
11	Distributor piston	<b>1651302</b>	1	1
12	Spirol 3x14	<b>0016812</b>	1	1
13	Hand gear bar	<b>0083908</b>	1	1
14	Flyer	<b>1651203</b>	1	1
15	Spirol 3x18	<b>0016815</b>	1	1
16	Fitting guide	<b>0083911</b>	1	1
17	Valve body	<b>1651301</b>	1	1
18	Gasket	<b>0061103</b>	1	1
19	Seal oleoite	<b>1651066</b>	1	1
20	Spacer	<b>3011092</b>	1	1
21	Gasket	<b>0018838</b>	1	1
22	Circlip	<b>0018666</b>	1	1
23	Seal oleoite	<b>1651065</b>	2	2
24	Gasket	<b>0018838</b>	1	1