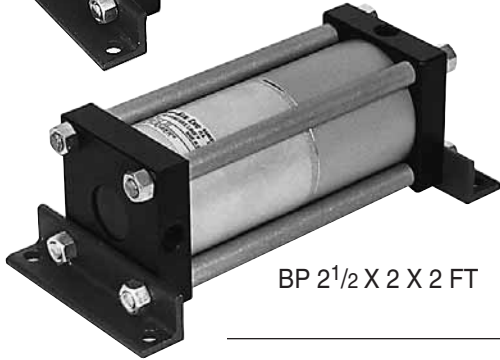




BA 2 1/2 X 2 X 2 FT



BP 2 1/2 X 2 X 2 FT

Fabco-Air Multi-Power® Boosters provide a convenient, low cost way of adding the control, rigidity, and power of hydraulics to an air powered machine. Boosters use shop air to raise the pressure of another gas or liquid. They are compact, and versatile finding use in numerous of applications such as clamping, shearing, pressing, crimping, bending, testing, and many more.

When relatively small volumes of high-pressure fluid are called for intermittently, boosters show obvious advantages over continuously running hydraulic systems.

For applications where high pressure must be maintained for prolonged times, boosters are ideal. After the booster strokes, there is no further energy input required and no heat build up.

A booster can be mounted in almost any convenient location, and most of its

control valves are installed in the low-pressure circuit where lower cost components save costs over hydraulics.

The input is shop air, or any compatible gas, up to 150 psi; the output can be oil, liquid, air, or gas pressurized to 500 psi maximum.

By selecting the proper combination of bore size, stroke, power factor and regulating the input air pressure, the **exact output pressure and required volume can be achieved and maintained.**

Since it is a basic booster without controls built-in, it can be adapted and controlled to perform a wide variety of applications. Fabco-Air boosters are not limited to cylinder applications. They may be used wherever a small volume of high-pressure media is required.

6

- **Low initial cost:** Boosters can eliminate the need for costly hydraulic systems.
- **Low energy cost:** Boosters hold pressure indefinitely without energy loss.
- **Save space:** Boosters can usually be

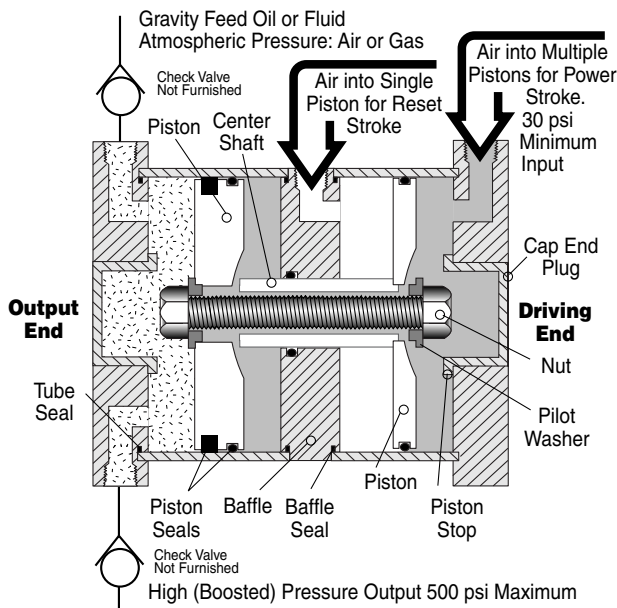
mounted directly on the machine unlike pumping units which are large and bulky.

- **Smooth power:** Boosters give the work cylinder the rigid, smooth, controlled motion of hydraulics.
- **Safe:** Boosters can be completely air

operated to function safely in a potentially hazardous environment.

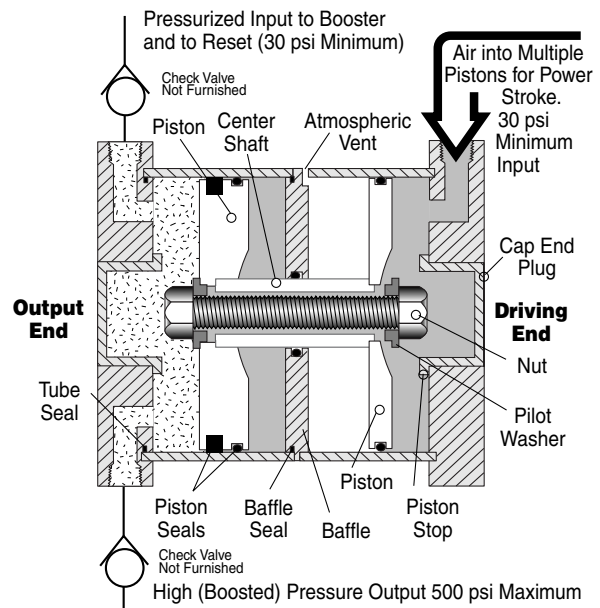
- **Clean:** Air to air boosters have no oil or liquid to contaminate the surroundings.

Atmospheric Pressure Inlet to Booster: Series BA



This series is built for use on systems in which the input to the booster will be gravity fed (no pressure) fluid or atmospheric pressure gas. It requires a 4-way air valve for operation. Porting is provided on the unit for the multiple piston power stroke and the single piston reset stroke. (See example circuits on page 6.11.)

Pressurized Inlet to Booster: Series BP



This series is built for use on systems in which the input to the booster will be pressurized fluid or gas. It requires a 3-way air valve for operation. Porting is provided on the unit for the power stroke only. When power stroke air is removed, the pressurized booster input will reset the pistons. (See example circuits on page 6.9 and 6.10.)

- 2 Ports in boost chamber for inlet/outlet. Note: Check valves are not included.
- Internally lubricated Buna-N seals (-25° to + 250°F)
- U-Cup and O'Ring seals on the booster piston

- Heavy duty, corrosion resistant construction
- Aluminum tubing: Hard anodized ID, Clear anodized OD
- Black anodized heads.

- Plated tie rods and nuts.
- Outputs of 4.9 or 12.5 cu. in. per inch of stroke
- Standard strokes: 1" increments through 6"
- 1.9 through 4.8 power factors

Sizing Guide and How to Order

Sizing Guide

Bore	Number of Stages (Pistons)	Required Volume/Inch Theoretical Power Factor	Output Displacement		Input Power Air		Reset Power Air for Series BA
			Volume/Inch of Stroke		Required Volume/Inch of Stroke	Maximum	Required Volume/Inch of Stroke
			In ³	Gallons	In ³	psi	In ³
2-1/2	2	1.9	4.9	.021	9.7	150	4.5
	3	2.8			14.5	150	
	4	3.7			19.3	135	
	5	4.6			24.1	105	
4	2	1.9	12.5	.054	25.1	150	11.8
	3	2.9			37.6	150	
	4	3.8			50.1	125	
	5	4.8			62.6	100	

Model Number Code

BA	2-1/2	X	2	X	3	FF	-	PA2
-----------	--------------	----------	----------	----------	----------	-----------	----------	------------

Series	Bore	Standard Strokes	Stages
BA	2-1/2"	1	2
BP	4"	2	3
		3	4
		4	5
		5	
		6	
		Optional Strokes Any other stroke through 12"	See Power Factor information above

Options		Specify	See Page
Description			
Viton Seals (-15° to +400°F)		-V	6.5
Rubber Bumpers, Driving End		-BR	6.5
Adjustable Extend Stroke		-AS	6.6
6" Stroke maximum. Full stroke adjustment is standard.			
1/2 NPT Ports in Heads ‡			6.5
Output End		-TF	
Driving End		-TR	
Both Ends		-TFR	
Extend Port Bushing			6.5
3/8 NPT	Output End	-EF38	
	Driving End	-ER38	
	Both Ends	-EFR38	
1/2 NPT	Output End	-EF12	
	Driving End	-ER12	
	Both Ends	-EFR12	
High Flow Vents		-HF	6.6
Port Positions (PA2, PA3, etc.)			See page 6.6
Any port or vent not specified will be in position shown on page 6.3			
Magnetic Piston ‡		-E	6.7
for Reed Switches and Electronic Sensors (Order Sensors separately)			
Piston Rod Driving End		-P	6.8
Pneumatic Continuous Cycling		-L	6.8
Male Rod Thread		-MR	6.8
‡ Note: Additional cylinder length required: for Option -E add 1" to driving end stage only; for 1/2 NPT Ports Option see page 6.5.			

Mounting	
Output End Flange – Fabco Pattern	FF
Output End Flange – NFPA (MF1) Pattern	FFA
Driving End Flange – Fabco Pattern	RF
Driving End Flange – NFPA (MF2) Pattern	RFA
Foot	FT
Extended Tie Rods	
Output End only	WF
Driving End only	WR
Both Ends	WFR

6

How to Order

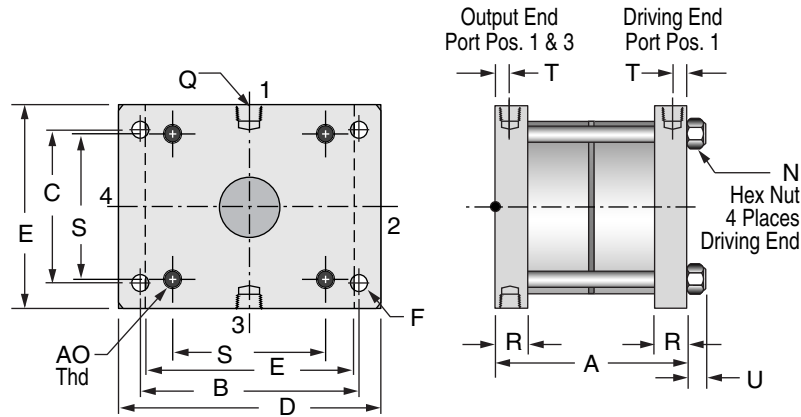
1. Specify Series and Bore
2. Specify Stroke
3. Specify stages (**Power Factor**)
4. Specify Mounting
5. Specify Option(s)

Examples:

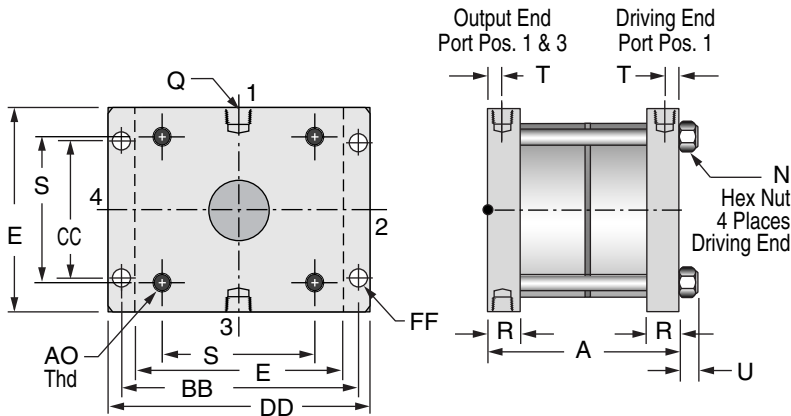
BA 2¹/₂ X 2 X 3 FF – PA2
 BA Series, 2¹/₂" Bore, 2" Stroke, 3 Stage (2.8 PF), Output End Flange Mounting, All Ports Position#2 (See page 6.6).

BP 4 X 6 X 5 WF
 BP Series, 4" Bore, 6" Stroke, 5 Stage (4.8 PF), Extended Tie Rods (Output End Only) Mounting.

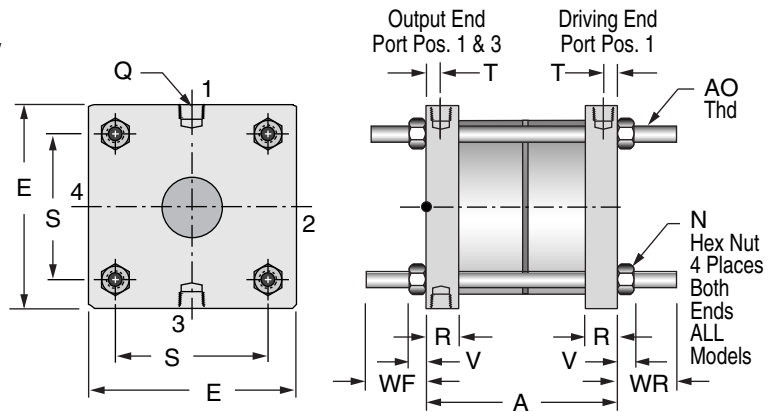
FF Front Face Mount;
Output End Rectangular Flange
Fabco mounting pattern



FFA Front Face Mount;
Output End Rectangular Flange
NFPA (MF1) mounting pattern



WF Extended Tie Rod Mount, Output End Only
WR Driving End Only
WFR Both Ends



To order Extended Tie Rod Mount
Specify Suffix
Output End Only **WF**
Driving End Only **WR**
Both Ends **WFR**

If a non-standard extension is required, specify by adding the required length to the suffix.
e.g. If WF length required is 2.5" Specify WF2.5"

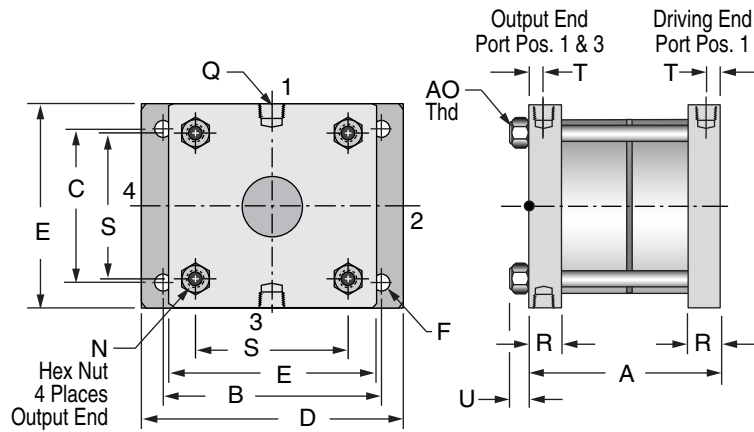
Dimensions (inches)

Dimension Y [‡]			
Bore	Stages	Series BA	Series BP
2-1/2 or 4	2	3.91	3.41
	3	4.76	4.26
	4	5.61	5.11
	5	6.46	5.96

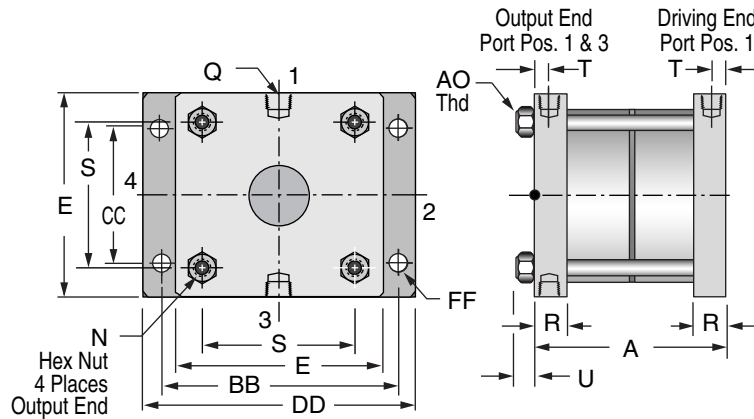
Bore	A	B	C	D	E	F	N	P	Q	R	S	T	U	V	X	Z
2-1/2	Dim. A= (No. stages x stroke) + Y [‡]	3.63	2.38	4.25	3.00	.34	9/16	3.69	1/4 NPT	.75	2.31	.31	.38	.33	.44	.56
4	See Y [‡] chart above	5.00	3.75	6.00	5.00	.41	3/4	5.50	1/4 NPT	.75	3.50	.31	.50	.43	.63	.88

Mounting Styles with Dimensions

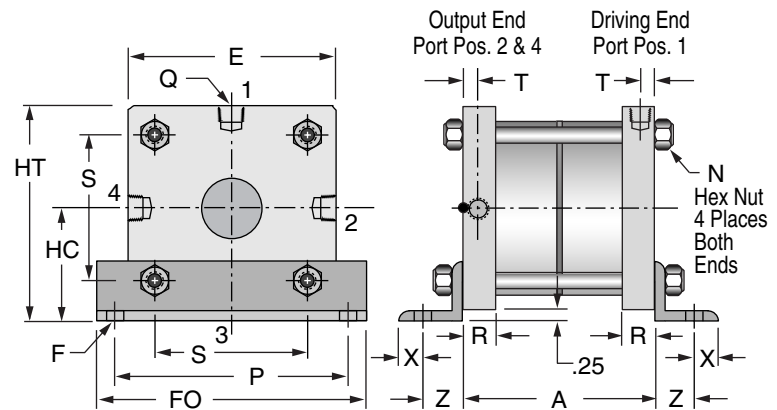
RF Rear Face Mount;
Driving End Rectangular Flange
Fabco mounting pattern



RFA Rear Face Mount;
Driving End Rectangular Flange
NFPA (MF2) mounting pattern



FT Foot Mount



Bore	Stages (Pistons)	Theoretical Power Factor	Approximate Weight, Oz.			Universal Seal Kits	
			Series BA Zero Stroke	Series BP Zero Stroke	BA or BP Per Inch of Stroke	Internally Lubricated Buna-N	Viton
2-1/2	2	1.9	46	44	12	BA/BP2 ^{1/2} -2SK	BA/BP2 ^{1/2} -2SKV
	3	2.8	55	53	17	BA/BP2 ^{1/2} -3SK	BA/BP2 ^{1/2} -3SKV
	4	3.7	64	62	23	BA/BP2 ^{1/2} -4SK	BA/BP2 ^{1/2} -4SKV
	5	4.6	73	71	30	BA/BP2 ^{1/2} -5SK	BA/BP2 ^{1/2} -5SKV
4	2	1.9	111	105	17	BA/BP4-2SK	BA/BP4-2SKV
	3	2.9	130	124	24	BA/BP4-3SK	BA/BP4-3SKV
	4	3.8	149	142	32	BA/BP4-4SK	BA/BP4-4SKV
	5	4.8	166	160	41	BA/BP4-5SK	BA/BP4-5SKV

	AO	BB	CC	DD	FF	FO	HC	HT	WF	WR
	3/8-16	3.88	2.19	4.50	.34	4.38	1.75	3.25	1.30	1.30
	1/2-13	5.44	3.32	6.38	.41	6.38	2.75	5.25	1.40	1.40

Viton Seals

Option -V

Use for elevated temperatures (-15° to + 400°F) or compatibility with exotic media. Consult engineering for compatibility information.

Extend Port Bushing

3/8 NPT Output End
Driving End
Both Ends

1/2 NPT Output End
Driving End
Both Ends

Option -EF38
-ER38
-EFR38

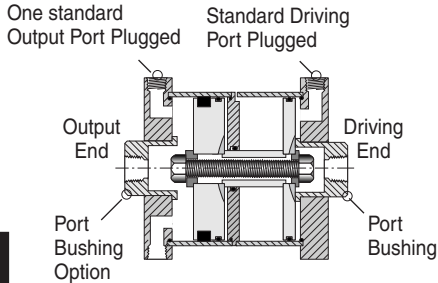
-EF12
-ER12
-EFR12

The end plug is replaced with an extended plug of black anodized aluminum with a female NPT port. The standard end port is plugged.

Use for plumbing convenience, or when

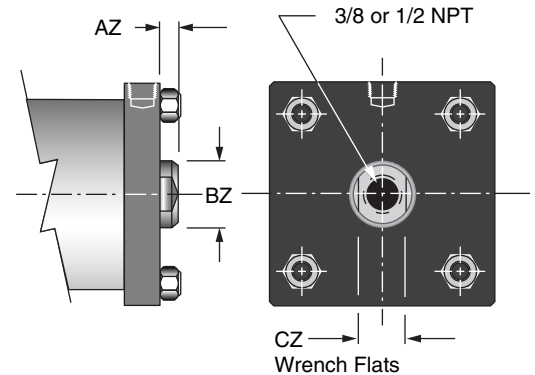
higher flows are required for higher cycle speeds and/or viscous fluids.

Also see 1/2 NPT ports in heads, Options -TF, -TR, -TFR below.



Option -EFR38 shown

Dimensions (inches)			
Bore	AZ	BZ	CZ
2-1/2	.38	1.13	.94
4	.38	1.50	1.25

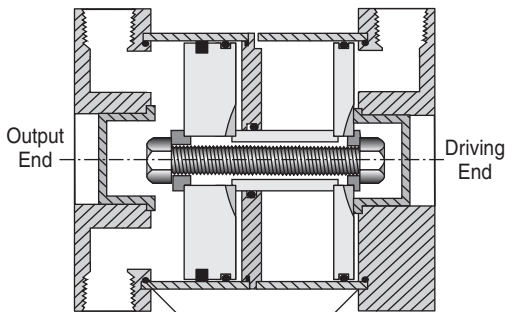


6

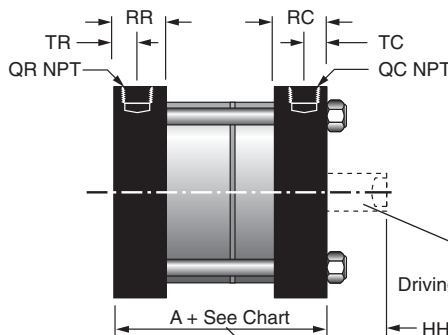
1/2 NPT Ports in Heads

Output End Head
Driving End Head
Both Heads

Option -TF
-TR
-TFR



Option -TFR shown



Thicker heads to accept 1/2 NPT ports, replace the standard heads. Because of the thicker heads, there is an increase in the Dimension "A" and a reduction of the optional rod extension as charted below. With this construction, an O-ring replaces the fiber gasket cylinder tube seal.

Use when higher cycle speeds or viscous fluids are required.

Option -P Piston Rod
See page 6.8

See pages 6.3 & 6.4 for Dimension "A"

Option	Add to A	QC	QR	RC 2-1/2" Bore	RC 4" Bore	RR 2-1/2" Bore	RR 4" Bore	HH-P 2-1/2 & 4" Bore	TC	TR
TF	.38	1/4	1/2	0.75	0.75	1.00	1.25	0.50	.31	.50
TR	.38	1/2	1/4	1.00	1.25	0.75	0.75	0.12	.50	.31
TFR	.76	1/2	1/2	1.00	1.25	1.00	1.25	0.12	.50	.50

Rubber Bumpers

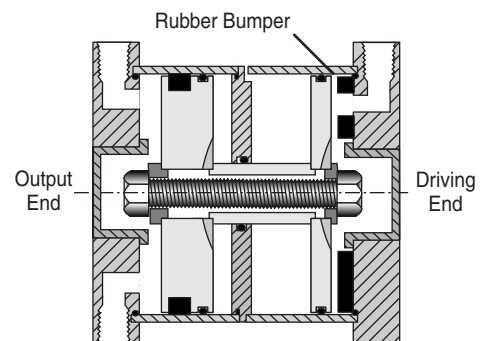
Driving End only

Option -BR

A ring of rubber is bonded to the cylinder head, on the driving end, to act as a piston stop and absorb the impact of the piston. This reduces noise and absorbs energy.

Because of the temperature limitations of the adhesives used (-25° to +220°F), the rubber bumper is available in boosters with standard internally lubricated Buna-N seals only.

Use where noise reduction and impact absorption is desired.



Port Positions

(Facing Output End, see Drawings on pages 6.3 & 6.4)

All Ports with Mounts: **FF, FFA, RF, RFA, WF, WR, WFR**

Output	Vent	Driving
1&3	1	1
2&4	2	2
1&3	3	3
2&4	4	4

Standard
-PA2
Rotate Standard
Rotate -PA2

All Ports with **Mount FT**

Output	Vent	Driving
2&4	1	1
1&3	2	2
2&4	3	3
1&3	4	4

Standard
-PA2
-PA3
-PA4

For all other combinations of port locations specify each port location per the chart on the right. Any port or vent not specified will be in position shown on pages 6.3 & 6.4.

Option

Mounts: FF, FFA, RF, RFA, WF, WR, WFR	
Output Ports	Specify
1&3	Standard
2&4	-PR2
1&2	-PR3
1&4	-PR4
2&3	-PR5
3&4	-PR6

Mount FT	
Output Ports	Specify
2&4	Standard
1&3	-PR2
1&2	-PR3
1&4	-PR4
2&3	-PR5
3&4	-PR6

Atmospheric Vent or Ported Baffle Port	Specify
1	Standard
2	-PB2
3	-PB3
4	-PB4

Driving Port	Specify
1	Standard
2	-PC2
3	-PC3
4	-PC4

High Flow Vents

Option -HF

The atmospheric vent in the baffle is cut larger to provide less resistance to the air flow.

Use when higher cycle speeds are required.

Adjustable Extend Stroke

For strokes through 6"

Option -AS

Full stroke adjustment is standard.

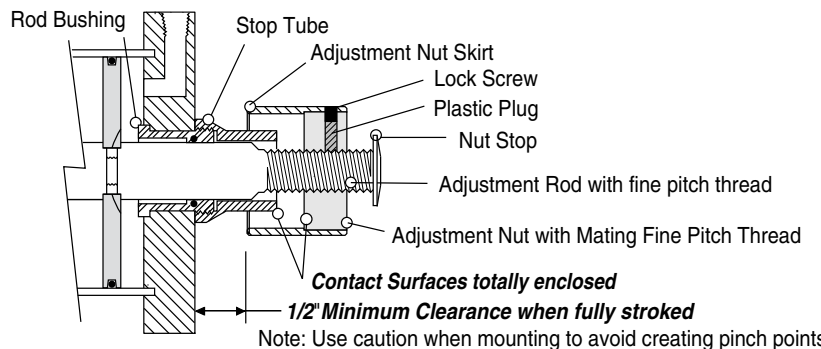
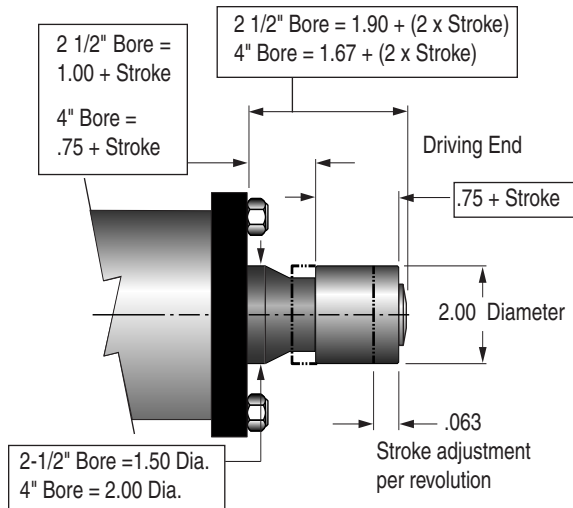
Note!

To maintain operator safety features of this option, it is **NOT available** with mounting styles: WR and WFR.

Use caution when mounting to avoid creating pinch points.

Dial-A-Stroke® provides a rugged and precision adjustment of the extend stroke of the cylinder. The stop tube, adjustment nut with skirt, and minimum clearances combine to eliminate pinch points, thus providing operator safety. **Note!** Use caution when mounting to avoid creating pinch points with other parts of your machine design.

The stop tube is black anodized aluminum, the adjustment nut is blackened steel with a black anodized aluminum skirt, and the nut stop is red anodized aluminum; all for corrosion resistance and appearance. The adjustment nut, steel for long life, includes a lock screw with a plastic plug so that the adjustment nut can be locked in place without damaging the threads. The nut stop is mounted on the end of the adjustment rod so that the nut cannot come off. The fine pitch threads on the adjustment rod and nut provide precision adjustment. Adjustment settings are simplified by convenient scale markings applied to nut skirt and stop tube.



Magnetic Piston

Option -E

(Order Sensors and Sensor Clamps Separately)

9-2A197 Series Sensor & Clamp for 2 - 1/2" Bores



Socket Head Screw

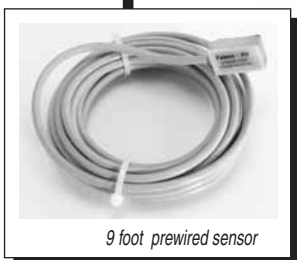
749 Series Sensor with Integral Clamp for 4" Bore Boosters (shown prewired)



Quick Disconnect Sensor



6



9 foot prewired sensor



Female Cordsets available in 1, 2, & 5 meter lengths



Booster Model Number
BA 2 1/2 X 2 X 2 RF - E - PR2

WARNING

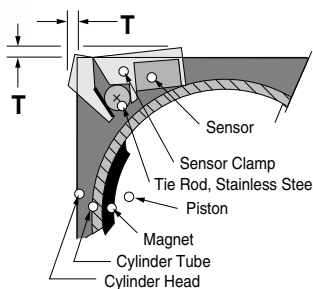
This cylinder is equipped with a Magnetic Piston for use with Magnetically Operated Sensors. Other Magnetic Sensitive Devices Should be Kept at a Distance to Avoid Inadvertent Operation.

- **Option -E** consists of a magnet bonded into the piston head. When the piston magnet moves past an external sensor, the magnetic field activates the sensor without physical contact.
- **Mounting** – The sensor is attached to a 2-part clamp that attaches rigidly to a tie rod and can be positioned anywhere along the length of the cylinder for very precise signaling.
- Two sensor styles are used – (a) the **9-2A197 Series** for 2 1/2" bore requires a tie rod clamp, and (b) the **749 Series** which accommodates the larger diameter tie rods of the 4" bore with an integral clamp.
- **Reliability** – The annular piston magnet is permanently bonded into a groove in the piston. It is a polarized permanent magnet of rubber bonded barium ferrite that is very stable and is not affected by shock. Under normal usage it will remain magnetized indefinitely.
- **Warning** – External magnetic fields and/or ferrous objects may affect the strength of the piston magnet therefore affecting sensor actuation and piston position indication. Labels noting this are affixed to the cylinder.
- **Please note there is an increase in base length of the booster to accommodate the magnet. The driving end stage only, is increased by 1".**

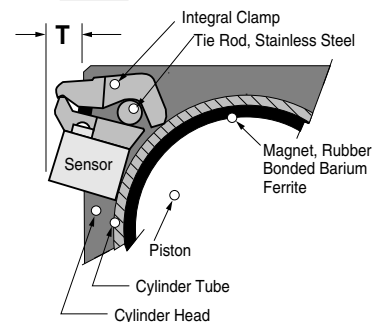
Sensor Clamp Stick Out Dimensions

Bore	2-1/2"	4"
T	.38"	.36"

2-1/2" Bore



4" Bore



Sensor & Clamp Ordering Guide

Temperature Range: -20° to + 80°C (-4° to + 176°F)
Sensor housings rated NEMA 6/IP67.

Warning! Do not exceed sensor ratings. Permanent damage to sensor may occur. Power supply polarity **MUST** be observed for proper operation of sensors. See wiring diagrams included with each sensor.

LED Lighted Magnetic Piston Position Sensors: 2 1/2" Bore

Product Type	Prewired 9 ft. Part No.	Quick Disconnect Part Number.	Electrical Characteristics
Reed Switch	9-2A197-1004	9-2A197-1304	5-120 VDC/VAC, 0.5 Amp Max., 10 Watt Max., SPST N.O., 3.5 Voltage Drop Sourcing, PNP, 6-24 VDC, 0.5Amp Max., 1.0 Voltage Drop Sinking, NPN, 6-24VDC, 0.5Amp Max., 1.0 Voltage Drop
Electronic	9-2A197-1033	9-2A197-1333	
Electronic	9-2A197-1034	9-2A197-1334	

9-2A197 Series Sensor Mounting Clamps – Part Number 800-200-000

LED Lighted Magnetic Piston Position Sensors: 4" Bore

Reed Switch	749-000-004	749-000-504	5-240 VDC/VAC, 1 Amp Max., 30 Watt Max., SPST N.O., 3.0 Voltage Drop Sourcing, PNP, 6-24 VDC, 1.0 Amp Max., 0.5 Voltage Drop Sinking, NPN, 6-24 VDC, 1.0 Amp Max., 0.5 Voltage Drop
Electronic	749-000-031	749-000-531	
Electronic	749-000-032	749-000-532	

Female Cordsets for 9-2A197 Series Quick Disconnect Sensors

Length Part No.	1 Meter CFC-1M	2 Meter CFC-2M	5 Meter CFC-5M
-----------------	----------------	----------------	----------------

Female Cordsets for 749 Series Quick Disconnect Sensors

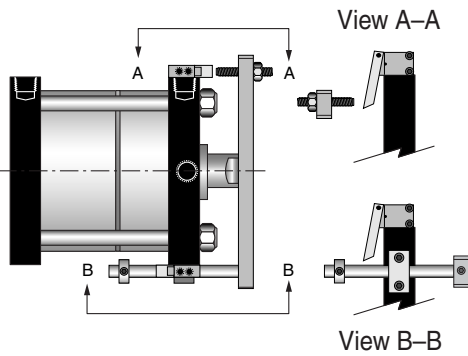
Length Part No.	2 Meter CFC-2M-12	5 Meter CFC-5M-12
-----------------	-------------------	-------------------

Pneumatic Continuous Cycling

Option -L



For details on the limit valves, which are included, see MSV-2 on page 13.5



Provisions for operator protection are always the full responsibility of the user.

A piston rod is incorporated in the driving end. Two limit valves are mounted on the driving end head and a piston rod guide and limit valve actuators are attached to the piston rod. The limit valves control a 3 or 4 way control valve (not included, see Section 11) which in turn controls the booster. When the system is "powered up" the booster strokes, raising the fluid pressure in the output end. When it fully strokes, a limit valve is actuated, reversing the booster, resetting it. When it is fully reset, the other limit valve is actuated shifting the control valve for another power stroke. This cycle continues until the output pressure reaches the desired level. The booster then stalls out and holds that pressure until some of the fluid is used. The booster then resumes cycling until output fluid again reaches desired pressure and the booster stalls out. This cycling will continue as long as the system is "powered up."

During the stall mode there is no energy used, making the air powered booster an extremely efficient and quiet method of maintaining that high pressure. A hydraulic

power unit, for instance, requires continuous energy input.

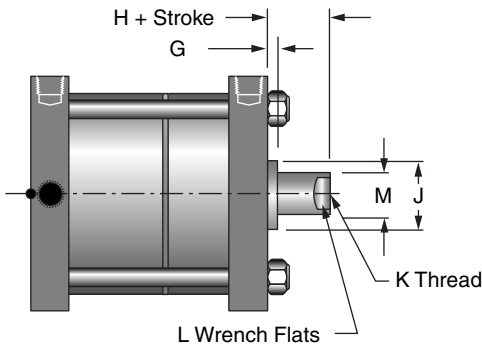
Because of the piston rod, the Power Factors change slightly as shown in the chart below. A typical circuit and sizing instructions are shown in example 1 on page 6.9.

Use when the application requires pumping action (e.g. keeping a surge tank at high pressure for a test fixture) and/or there is no electricity involved (e.g. an explosive atmosphere). Also see Option -E on page 6.7 for electronic position sensors.

Bore	# Stages (Pistons)	Theoretical Power Factor
2-1/2	2	1.8
	3	2.7
	4	3.6
	5	4.5
4	2	1.9
	3	2.8
	4	3.7
	5	4.7

Piston Rod on Driving End

Option -P



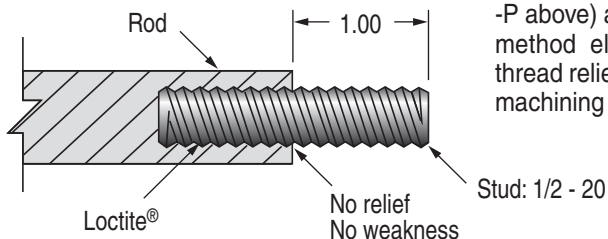
A piston rod is incorporated in the driving end. Because of the piston rod area the Power Factor changes slightly. Use the Power Factors charted above for Option -L.

Use for booster position indication.

Bore	G	H	J ± .002	K	L	M ± .001
2-1/2	.19	.50	1.127	1/2-20 x .75	5/8	0.750
4	.19	.50	1.502	1/2-20 x .75	7/8	1.000

Male Rod Thread

Option -MR



A high strength stud is threaded into the standard female rod end (see Option -P above) and retained with Loctite®. This method eliminates the small diameter thread relief area normally required when machining male threads. This provides a

much stronger rod end which can be repaired, rather than replacing the complete rod, should the thread be damaged.

Use in conjunction with Option -P above.

To size an **Air to Air** booster Boyle's Law must be used because air is compressible. Boyle's Law states: "When the temperature of a confined gas remains constant, the volume varies inversely as its absolute pressure."

This can be stated mathematically as a simple equation: initial absolute pressure x initial volume = final absolute pressure x final volume or **P₁ x V₁ = P₂ x V₂**

Absolute pressure (psia) = gauge pressure (psig) + atmospheric pressure (14.7 psi).

Consult your distributor or Fabco-Air Engineering for assistance with booster sizing.

EXAMPLE 1: Pump cycle, Air to Air Booster

Required output = 100 cu. in. per minute @ 250 psi

Available air pressure = 70 psi

Solution: Power = $\frac{\text{Required Pressure psig}}{\text{Available Pressure psig}} = \frac{250}{70}$
= 3.6 Minimum Required **Power Factor**

Choose either: 2-1/2" Bore – 4 Stage
or 4" Bore – 4 Stage (See Sizing Guide on page 6.2)

Solution (2-1/2" Bore): Volume - using Boyle's Law

V₁ (Initial Volume) = 4.9 cu. in./in.

P₁ (Initial Pressure) = 70 + 14.7 = 84.7

P₂ (Final Pressure) = 250 + 14.7 = 264.7

V₂ (Final Volume) = unknown

$V_2 = \frac{P_1 \times V_1}{P_2} = \frac{84.7 \times 4.9}{264.7} = 1.5 \text{ cu. in./in. @250 psig}$

On the basis of 20 strokes/minute (typical average)

Booster stroke = $\frac{\text{Required Vol./min.}}{\text{vol./in. stroke} \times \text{strokes/min}}$

Booster stroke = $\frac{100}{1.5 \times 20} = 3.3 \text{ in.}$

Model Choice: BP2-1/2 X 4 X 4

Alternate Solution (4" Bore): Volume - using Boyle's Law

V₁ (Initial Volume) = 12.6 cu. in./in.

P₁ (Initial Pressure) = 70 + 14.7 = 84.7

P₂ (Final Pressure) = 250 + 14.7 = 264.7

V₂ (Final Volume) = unknown

$V_2 = \frac{P_1 \times V_1}{P_2} = \frac{84.7 \times 12.6}{264.7} = 4.0 \text{ cu. in./in. @250 psig}$

On the basis of 20 strokes/minute (typical average)

Booster stroke = $\frac{\text{Required Vol./min.}}{\text{vol./in. stroke} \times \text{strokes/min}}$

Booster stroke = $\frac{100}{4.0 \times 20} = 1.25 \text{ in.}$

Model Choice: BP4 X 2 X 4

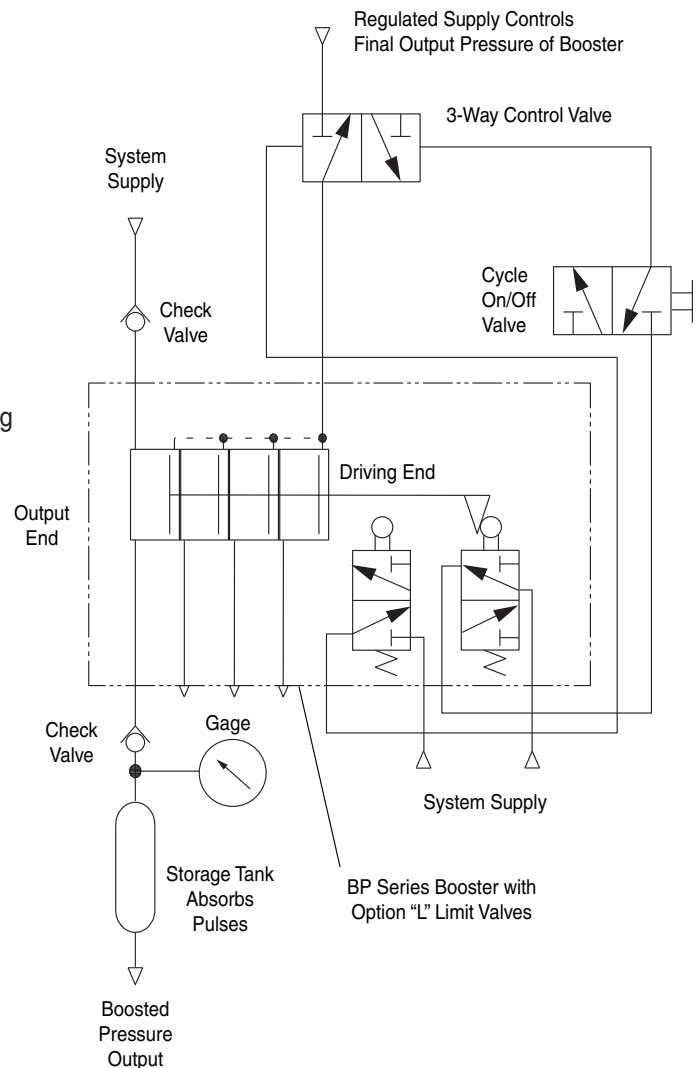
Input Air Usage, Pump Cycle (See Example 1 above; Model BP 2-1/2 X 4 X 4, 20 stroke/min. @ 70 psi)

Solution: Pressure = $\frac{\text{Required Final Pressure}}{\text{Booster Power Factor}} = \frac{250}{3.7} = 67.6 \text{ psi regulated input required}$

Solution: Volume (CFM) = Input Volume/Inch Stroke x $\frac{\text{Stroke} \times \text{CPM}}{1728 \text{ cu. in./cu.ft.}}$

Input Volume/Inch Stroke = 19.3 (See Sizing Guide on page 6.2), Stroke = 4", CPM= 20
Volume = $\frac{19.3 \times 4 \times 20}{1728} = \frac{1544}{1728} = 0.89 \text{ CFM @ 67.6 psi}$

Converting Volume to SCFM: $\text{SCFM} = \frac{\text{CFM} \times \text{psia}}{\text{Atmosphere}} = \frac{.89 \times (67.6 + 14.7)}{14.7} = 5.0 \text{ SCFM required}$



Air-to-Air Sizing (for Air-to-Oil Sizing See Page 6.11)

EXAMPLE 2: One shot cycle, Air to Air Booster to extend cylinders with boosted (high) pressure. Application shown: 2 cylinders, 1-5/8" bore x 4" stroke must extend to full stroke at 145 psi, then retract at system (80 psi) pressure.

Solution: Power = $\frac{\text{Required Pressure psig}}{\text{Available Pressure psig}} = \frac{145}{80} = 1.8$ Minimum Required **Power Factor**

Choose either: 2-1/2" Bore – 2 Stage
or 4" Bore – 2 Stage (See Sizing Guide on page 6.2)

Solution: Volume - using Boyle's Law

V1 (Initial Volume) = Unknown

P1 (Initial Pressure) = 80 + 14.7 = 94.7

P2 (Final Pressure) = 145 + 14.7 = 159.7

V2 (Final Volume) = Volume required in cylinders, plus estimated volume in fittings and tubing

V2 = 2.07 (area of 1-5/8" bore) x 4" (Stroke) x 2 (quantity) + 1.5 (estimate of fittings in this example) = 18.1 cu. in.

V1 = $\frac{P_2 \times V_2}{P_1} = \frac{159.7 \times 18.1}{94.7} = 30.5$ cu. in.

Note! Add a recommended factor of 25% to 50% to allow for volumetric efficiency and other losses: 30.5 x 150% = 45.8 cu. in. required in booster.

Solution (2-1/2" Bore): Stroke = $\frac{\text{Required Volume}}{\text{Volume/Inch Stroke}^\dagger} = \frac{45.8}{4.9^\dagger} = 9.3$ in.

†For 2-1/2" Bore Volume per Inch of Stroke = 4.9 (See Sizing Guide on page 6.2)

Model Choice: BP2-1/2 X 10 X 2

Alternate Solution (4" Bore): Stroke = $\frac{\text{Required Volume}}{\text{Volume/Inch Stroke}^\ddagger} = \frac{45.8}{12.6^\ddagger} = 3.6$ in.

‡ For 4" Bore Volume per Inch of Stroke = 12.6 (See Sizing Guide on page 6.2)

Model Choice: BP4 X 4 X 2

EXAMPLE 3: One shot cycle, Air to Air Booster to extend cylinders with low (system) pressure, then boost to high pressure.

Application shown: 2 cylinders, 1-5/8" bore x 4" stroke must extend to full stroke at system (80 psi) pressure, then apply full (145 psi) clamp load. Cylinders are to retract at system (80 psi) pressure.

Solution: Power = $\frac{\text{Required Pressure psig}}{\text{Available Pressure psig}} = \frac{145}{80} = 1.8$ Minimum Required **Power Factor**

Choose either: 2-1/2" Bore – 2 Stage
or 4" Bore – 2 Stage (See Sizing Guide on Page 6.2)

Solution: Volume - using Boyle's Law

V1 (Initial Volume) = Unknown

P1 (Initial Pressure) = 80 + 14.7 = 94.7

P2 (Final Pressure) = 145 + 14.7 = 159.7

V2 (Final Volume) = Volume required in cylinders, plus estimated volume in fittings and tubing

V2 = 2.07 (area of 1-5/8" bore) x 4" (Stroke) x 2 (quantity) + 1.5 (estimate of fittings in this example) = 18.1 cu. in.

V1 = $\frac{P_2 \times V_2}{P_1} = \frac{159.7 \times 18.1}{94.7} = 30.5$ cu. in.

Note! In this cycle, the volume of the cylinders and tubing may be deducted because it is a part of the final volume; thus, 30.5 - 18.1 = 12.4 cu. in. Add a recommended factor of 25% to 50% to allow for volumetric efficiency and other losses: 12.4 x 150% = 18.6 cu. in. required in booster.

Solution (2-1/2" Bore): Stroke = $\frac{\text{Required Volume}}{\text{Volume/Inch Stroke}^\dagger} = \frac{18.6}{4.9^\dagger} = 3.8$ in.

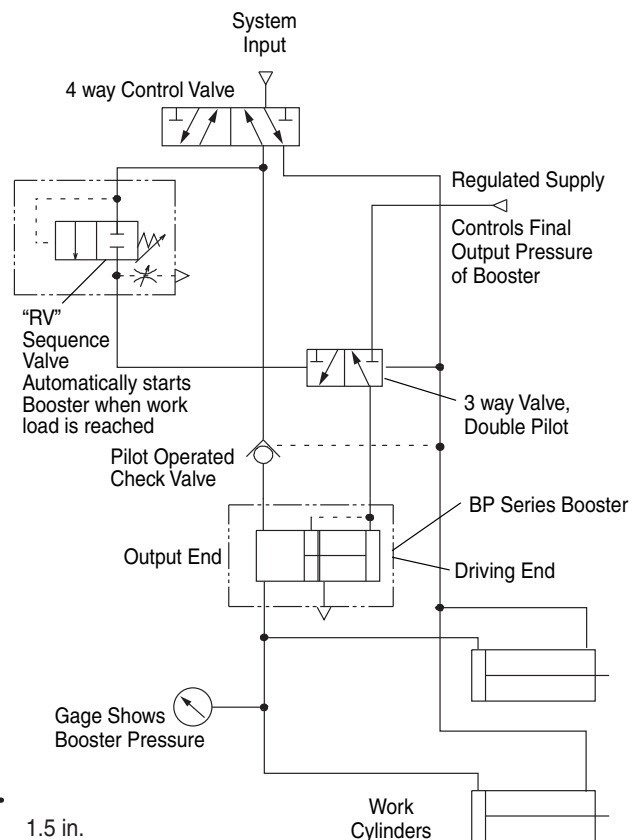
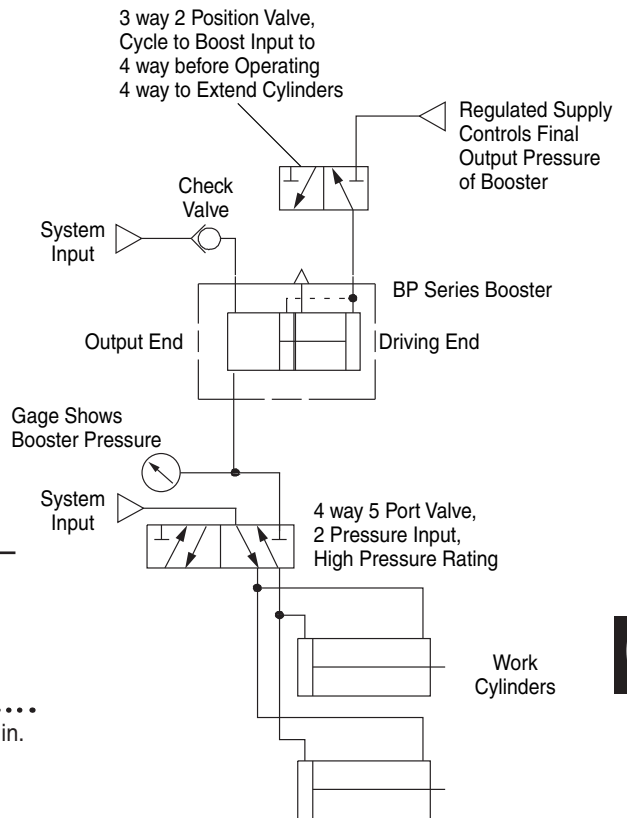
†For 2-1/2" Bore Volume per Inch of Stroke = 4.9 (See Sizing Guide on page 6.2)

Model Choice: BP2-1/2 X 4 X 2

Alternate Solution (4" Bore): Stroke = $\frac{\text{Required Volume}}{\text{Volume/Inch Stroke}^\ddagger} = \frac{18.6}{12.6^\ddagger} = 1.5$ in.

‡ For 4" Bore Volume per Inch of Stroke = 12.6 (See Sizing Guide on page 6.2)

Model Choice: BP4 X 2 X 2



To size an **Air to Oil** booster, Boyle's Law need not be taken into account because oil is considered an incompressible fluid. Consult Fabco-Air Engineering for fluid compatibility with standard internally lubricated Buna-N seals or optional Viton seals.

EXAMPLE 4: One shot cycle, Air to Oil Booster
Application shown: 2 cylinders, 1-5/8" bore x 4" stroke must extend to full stroke at 145 psi, then retract at system (80 psi) pressure.

Solution: $\text{Power} = \frac{\text{Required Pressure psig}}{\text{Available Pressure psig}} = \frac{145}{80}$
 $= 1.8$ Minimum Required **Power Factor**

Choose either: 2-1/2" Bore – 2 Stage
or 4" Bore – 2 Stage (See Sizing Guide on page 6.2)

Solution: **Volume** of Booster = Displacement of Cylinders + Margin
 Displacement = Area of Bore x Stroke x Quantity of Cylinders
 Margin = 25% Recommended to allow for losses and make-up fluid
 Booster Volume = [2.07 (area of 1-5/8" bore) x 4" (stroke) x 2 (quantity)]
 x 125% (margin)
 = [16.6] x 1.25 = 20.8 cu. in.

Solution (2-1/2" Bore): $\text{Stroke} = \frac{\text{Required Volume}}{\text{Volume per Inch Stroke}^\ddagger} = \frac{20.8}{4.9^\ddagger} = 4.3$ in.

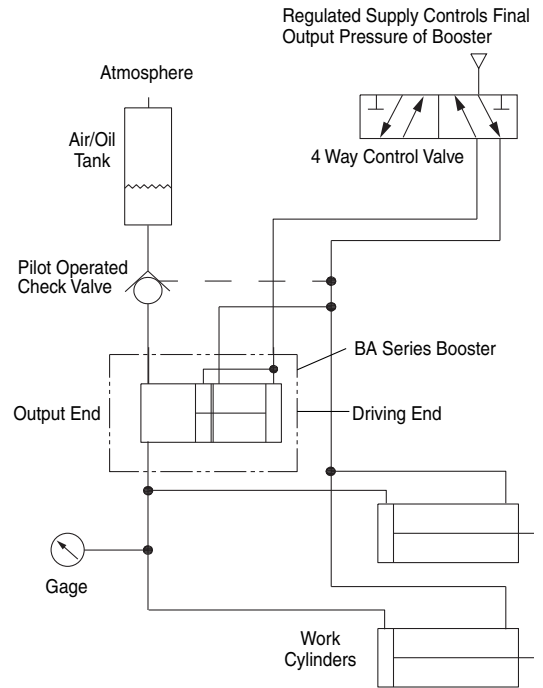
‡ For 2-1/2" Bore, Volume per Inch of Stroke = 4.9 (See Sizing Guide on page 6.2)

Model Choice: BA2-1/2 X 5 X 2

Alternate Solution (4" Bore): $\text{Stroke} = \frac{\text{Required Volume}}{\text{Volume per Inch Stroke}^\ddagger} = \frac{20.8}{12.6^\ddagger} = 1.7$ in.

‡ For 4" Bore, Volume per Inch of Stroke = 12.6 (See Sizing Guide on page 6.2)

Model Choice: BA4 X 2 X 2



EXAMPLE 5: Pump cycle, Air to Oil Booster
Required output = 1000 cu. in./min. @ 250 psi
Available air pressure = 70 psi

Solution: $\text{Power} = \frac{\text{Required Pressure psig}}{\text{Available Pressure psig}} = \frac{250}{70}$
 $= 3.6$ Minimum Required **Power Factor**

Choose either: 2-1/2" Bore – 4 Stage
or 4" Bore – 4 Stage (See Sizing Guide on page 6.2)

Solution (2-1/2" Bore): $\text{Stroke} = \frac{\text{Required Volume/Min}}{\text{Volume per Inch Stroke}^\ddagger \times \text{CPM}} = \frac{1000}{4.9^\ddagger \times 20} = 10.2$ in.

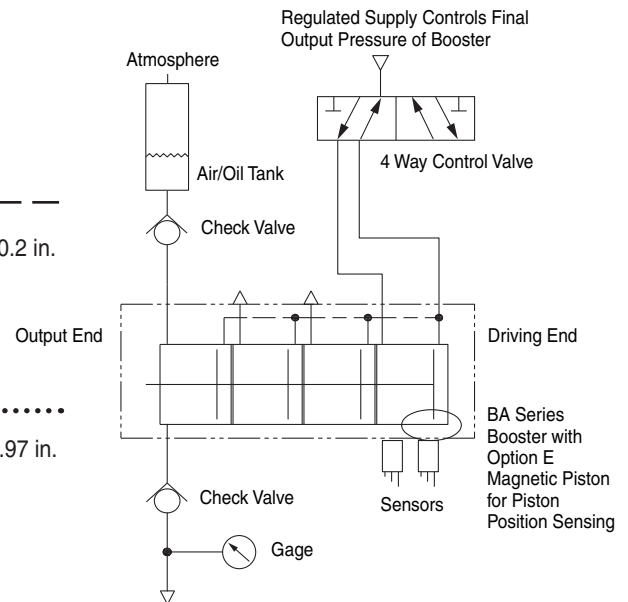
‡ For 2-1/2" Bore, Volume per Inch of Stroke = 4.9 (See Sizing Guide on page 6.2)
CPM = 20 (Typical average for Fabco-Air Air to Oil Booster)

Model Choice: BA2-1/2 X 11 X 4

Alternate Solution (4" Bore): $\text{Stroke} = \frac{\text{Required Volume/Min}}{\text{Volume per Inch Stroke}^\ddagger \times \text{CPM}} = \frac{1000}{12.6^\ddagger \times 20} = 3.97$ in.

‡ For 4" Bore, Volume per Inch of Stroke = 12.6 (See Sizing Guide on page 6.2)
CPM = 20 (Typical average for Fabco-Air Air to Oil Booster)

Model Choice: BA4 X 4 X 4



Input Air Usage, Pump Cycle (See Example 5 above; Model BA 2-1/2 X 11 X 4, 20 stroke/min. @ 70 psi)

Solution: $\text{Pressure} = \frac{\text{Required Final Pressure}}{\text{Booster Power Factor}} = \frac{250}{3.7} = 67.6$ psi regulated input required

Solution: $\text{Volume (CFM)} = [\text{Input Volume per Inch Stroke} + \text{Reset Volume per Inch Stroke}] \times \frac{\text{Stroke} \times \text{CPM}}{1728 \text{ cu.in. / cu.ft.}}$

Input Volume per Inch Stroke = 19.3; Reset Volume per Inch Stroke = 4.5 (See Sizing Guide on page 6.2)

Stroke = 11 CPM = 20

$\text{Volume} = [19.3 + 4.5] \times \frac{11 \times 20}{1728} = 23.8 \times 0.127 = 3.03$ CFM @ 67.6 psi

Converting Volume to SCFM: $= \frac{\text{CFM} \times \text{psia}}{\text{Atmosphere}} = \frac{3.03 \times (67.6 + 14.7)}{14.7} = 17.0$ SCFM required