



www.fine-tek.com

Pressure Switch



SQ24 SPST TYPE

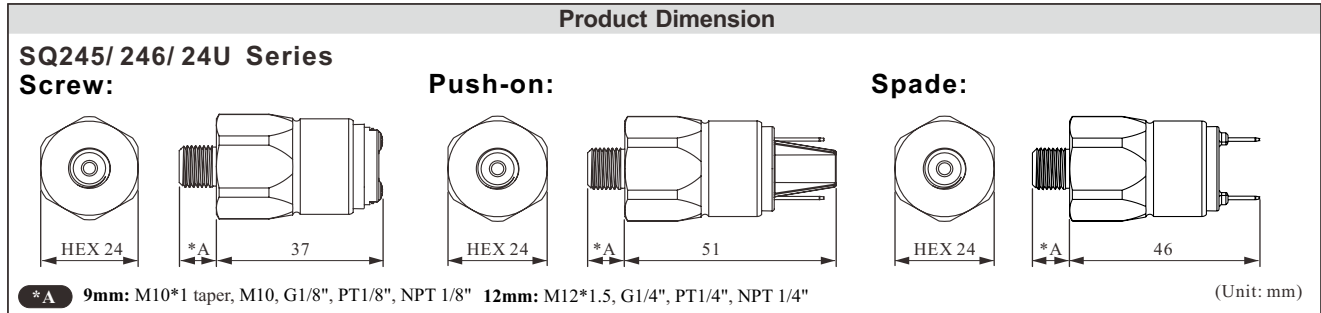


TYPE	SQ245 Series			SQ246 Series			SQ24U Series		
Hex length	24mm			24mm			24mm		
Body material	Zinc-Plated Steel ROHS			SUS316			Brass		
Wiring	Screw	Push-on	Spade Terminal	Screw	Push-on	Spade Terminal	Screw	Push-on	Spade Terminal
Contact rating (Max.)	4A/ 50Vdc, 4A/ 250Vac			4A/ 50Vdc, 4A/ 250Vac			4A/ 50Vdc, 4A/ 250Vac		
Response frequency	2Hz			2Hz			2Hz		
Max. Voltage peak	1.5KV (IEC60947-2)			1.5KV (IEC60947-2)			1.5KV (IEC60947-2)		
Electric insulation	100MΩ(IEC60092-54 section3)			100MΩ(IEC60092-54 section3)			100MΩ(IEC60092-54 section3)		
Membrane materials/ Operation temperature	NBR(Standard)	-10~100°C		NBR(Standard)	-10~100°C		NBR(Standard)	-10~100°C	
	VITON	-10~100°C		VITON	-10~100°C		VITON	-10~100°C	
	EPDM	-10~100°C		EPDM	-10~100°C		EPDM	-10~100°C	
	NBR(Low Temp.)	-30~100°C		NBR(Low Temp.)	-30~100°C		NBR(Low Temp.)	-30~100°C	
	VITON(Low Temp.)	-30~100°C		VITON(Low Temp.)	-30~100°C		VITON(Low Temp.)	-30~100°C	
	EPDM(Low Temp.)	-30~100°C		EPDM(Low Temp.)	-30~100°C		EPDM(Low Temp.)	-30~100°C	
Pressure range	0.2~99bar (≤20bar with UL certification)			0.2~99bar (≤20bar with UL certification)			0.2~99bar (≤20bar with UL certification)		
Piping selection	M10*1 (taper) M10*1, M12*1.5 PT1/8", PT1/4" G1/8", G1/4" NPT 1/8", NPT 1/4"			M10*1 (taper) M10*1, M12*1.5 PT1/8", PT1/4" G1/8", G1/4" NPT 1/8", NPT 1/4"			M10*1 (taper) M10*1, M12*1.5 PT1/8", PT1/4" G1/8", G1/4" NPT 1/8", NPT 1/4"		
Contact model	NO, NC			NO, NC			NO, NC		
Protection(optional)	IP67 (IEC 60529)			IP67 (IEC 60529)			IP67 (IEC 60529)		
Mechanical life	1.5X10 ⁶ cycles (in 50 bar)			1.5X10 ⁶ cycles (in 50 bar)			1.5X10 ⁶ cycles (in 50 bar)		
Screw torque	<0.35Nm			<0.35Nm			<0.35Nm		
Shock resistance	ISO / IEC 17025, Half Sine Wave, Acceleration: 30G@14ms, ±X, ±Y, ±Z axis			ISO / IEC 17025, Half Sine Wave, Acceleration: 30G@14ms, ±X, ±Y, ±Z axis			ISO / IEC 17025, Half Sine Wave, Acceleration: 30G@14ms, ±X, ±Y, ±Z axis		
Vibration resistance	ISO / IEC 17025, Sine Wave, 5-200 Hz, Acceleration: 10G, Displacement: 16 mm, Sweeping Rate: 1 Oct/ min, Test Direction: X, Y, Z axis, Test Time: 1hr for each			ISO / IEC 17025, Sine Wave, 5-200 Hz, Acceleration: 10G, Displacement: 16 mm, Sweeping Rate: 1 Oct/ min, Test Direction: X, Y, Z axis, Test Time: 1hr for each			ISO / IEC 17025, Sine Wave, 5-200 Hz, Acceleration: 10G, Displacement: 16 mm, Sweeping Rate: 1 Oct/ min, Test Direction: X, Y, Z axis, Test Time: 1hr for each		

Feature
<ul style="list-style-type: none"> ■ Robust In Any Severe Application ■ Customized Body Housing (steel, Sus316, Brass) ■ Selectable Contact (Gold Contact or Silver Contact) ■ Screw / Push-on Terminal Contact Selectable ■ High Quality And Cost Effective ■ Adjustable Pressure Range Setting

Application
<ul style="list-style-type: none"> ■ Pressure Detection For Automobile Braking System ■ Pressure Control For Piping System ■ Hydraulic Detection For Fire Fighting System ■ Hydraulic Industry ■ Lubrication System ■ Sprinkler System ■ Air Compressor ■ Medical Equipment ■ Tire Manufacturing

PRODUCT DIMENSION/ PRESSURE RANGE TOLERANCE



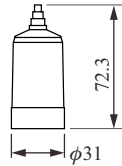
SQ24 Series Field Adjustable/ Fixed Pressure

※ ≤20bar with UL certification

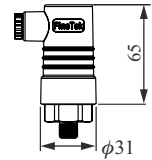
Pressure range	Tolerance	Connection
0.2~0.9bar	±0.1bar	M10X1 (taper)
		M10X1
		M12X1.5
		1/8"PT
		1/4"PT
		1/8"G
		1/4"G
		1/8"NPT
1~9.9bar	±0.5bar	M10X1 (taper)
		M10X1
		M12X1.5
		1/8"PT
		1/4"PT
		1/8"G
		1/4"G
		1/8"NPT
10~19bar	±5%	M10X1 (taper)
		M10X1
		M12X1.5
		1/8"PT
		1/4"PT
		1/8"G
		1/4"G
		1/8"NPT
20~49bar	±5%	M10X1 (taper)
		M10X1
		M12X1.5
		1/8"PT
		1/4"PT
		1/8"G
		1/4"G
		1/8"NPT
50~99bar	±5%	M10X1 (taper)
		M10X1
		M12X1.5
		1/8"PT
		1/4"PT
		1/8"G
		1/4"G
		1/8"NPT
1/4"NPT		

Option:

Body Protect Cover: SQXAM1P-07D0000001
Material: NBR
Protection Grade: IP67



Body Protect Cover: SQXCM1P-PGA0000001
Material: Nylon
Protection Grade: IP67
★ Only SQ24 Push-on Type to use.



To comply with CE, SQ24 series need to add anti-dust cover.

SQ24 HIGH PRESSURE SPST TYPE

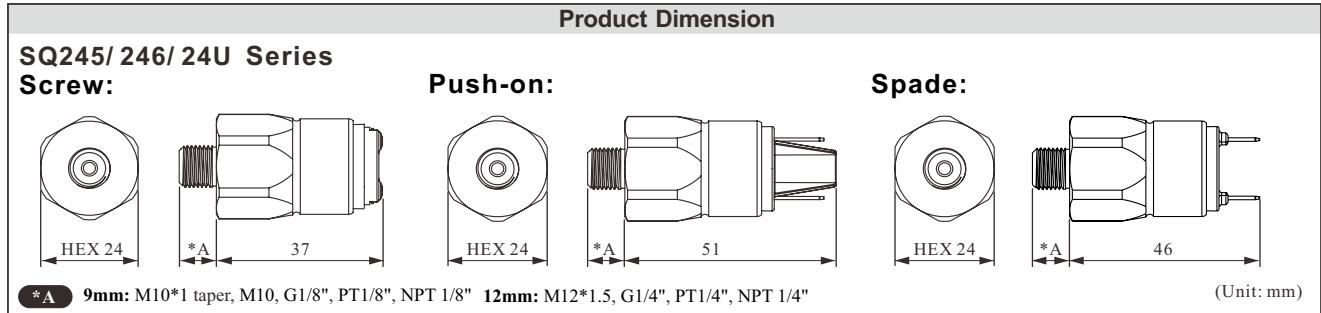


TYPE	SQ245 Series	SQ246 Series
Hex Length	24mm	24mm
Body Material	Zinc-Plated Steel ROHS	SUS316
Wiring	Screw Push-on Spade Terminal	Screw Push-on Spade Terminal
Contact rating (Max.)	4A/ 50Vdc, 4A/ 250Vac	4A/ 50Vdc, 4A/ 250Vac
Response Frequency	2Hz	2Hz
Max. Voltage Peak	1.5KV (IEC60947-2)	1.5KV (IEC60947-2)
Electric Insulation	100MΩ(IEC60092-54 section3)	100MΩ(IEC60092-54 section3)
Operation Temperature	-10°C ~100°C (IEC 60068-2-2)	-10°C ~100°C (IEC 60068-2-2)
Pressure Range	100~300bar	100~300bar
Pressure Acting Variation	± 5% full set point range @20°C	± 5% full set point range @20°C
Piping Selection	M10*1 (taper) M10*1, M12*1.5 PT1/8", PT1/4" G1/8", G1/4" NPT 1/8", NPT 1/4"	M10*1 (taper) M10*1, M12*1.5 PT1/8", PT1/4" G1/8", G1/4" NPT 1/8", NPT 1/4"
Contact Model	NO, NC	NO, NC
Body Protection	IP00 (IEC 60529)	IP00 (IEC 60529)
Protection(optional)	IP67 (IEC 60529)	IP67 (IEC 60529)
Mechanical Life	1.5X10 ⁶ cycles (in 50 bar)	1.5X10 ⁶ cycles (in 50 bar)
Screw Torque	<0.35Nm	<0.35Nm
Shock Resistance	ISO / IEC 17025, Half Sine Wave, Acceleration: 30G@14ms, ±X, ±Y, ±Z axis	ISO / IEC 17025, Half Sine Wave, Acceleration: 30G@14ms, ±X, ±Y, ±Z axis
Vibration Resistance	ISO / IEC 17025, Sine Wave, 5-200 Hz, Acceleration: 10G, Displacement: 16 mm, Sweeping Rate: 1 Oct/ min, Test Direction: X, Y, Z axis, Test Time: 1hr for each	ISO / IEC 17025, Sine Wave, 5-200 Hz, Acceleration: 10G, Displacement: 16 mm, Sweeping Rate: 1 Oct/ min, Test Direction: X, Y, Z axis, Test Time: 1hr for each

Feature
<ul style="list-style-type: none"> ■ Robust In Any Severe Application ■ Customized Body Housing (steel, Sus316, Brass) ■ Selectable Contact (Gold Contact or Silver Contact) ■ Screw / Push-on Terminal Contact Selectable ■ High Quality And Cost Effective ■ Adjustable Pressure Range Setting

Application
<ul style="list-style-type: none"> ■ Pressure Detection For Automobile Braking System ■ Pressure Control For Piping System ■ Hydraulic Detection For Fire Fighting System ■ Hydraulic Industry ■ Lubrication System ■ Sprinkler System ■ Air Compressor ■ Medical Equipment ■ Tire Manufacturing

PRODUCT DIMENSION/ PRESSURE RANGE TOLERANCE

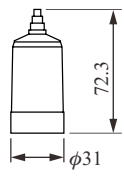


SQ24 Series Field Adjustable/ Fixed Pressure

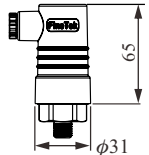
Pressure range	Tolerance	Connection
100~300bar	± 5%	M10X1 (taper)
		M10X1
		M12X1.5
		1/8"PT
		1/4"PT
		1/8"G
		1/4"G
		1/8"NPT
1/4"NPT		

Option:

Body Protect Cover: SQXAM1P-07D0000001
Material: NBR
Protection Grade: IP67



Body Protect Cover: SQXCM1P-PGA0000001
Material: Nylon
Protection Grade: IP67
★ Only SQ24 Push-on Type to use.



To comply with CE, SQ24 series need to add anti-dust cover.

SQ24 WITH EXTENSION SOCKET

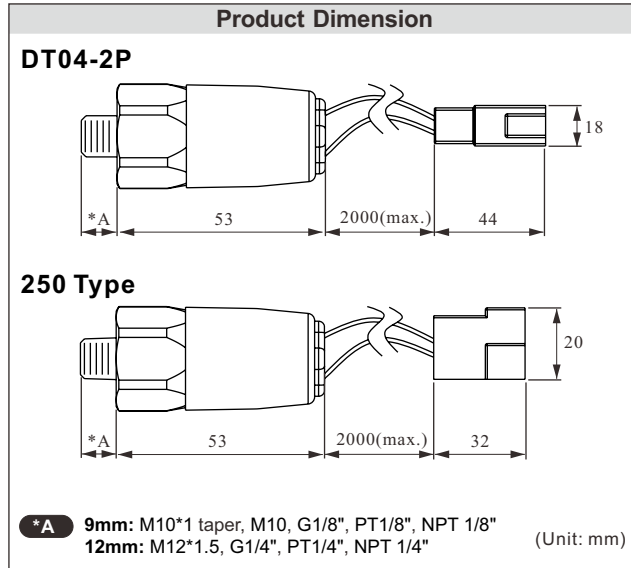


TYPE	SQ245 Series	SQ246 Series	SQ24U Series
Hex Length	24mm	24mm	24mm
Body Material	Zinc-Plated Steel	SUS316	Brass
Wiring	DT04-2P, 250 Type	DT04-2P, 250 Type	DT04-2P, 250 Type
Contact rating (Max.)	4A/ 50Vdc, 4A/ 250Vac	4A/ 50Vdc, 4A/ 250Vac	4A/ 50Vdc, 4A/ 250Vac
Response Frequency	2Hz	2Hz	2Hz
Max. Voltage Peak	1.5KV (IEC60947-2)	1.5KV (IEC60947-2)	1.5KV (IEC60947-2)
Electric Insulation	100MΩ(IEC60092-54 section3)	100MΩ(IEC60092-54 section3)	100MΩ(IEC60092-54 section3)
Membrane materials/ Operation temperature	NBR(Standard) -10~100°C VITON -10~100°C EPDM -10~100°C NBR(Low Temp.) -30~100°C VITON(Low Temp.) -30~100°C EPDM(Low Temp.) -30~100°C	NBR(Standard) -10~100°C VITON -10~100°C EPDM -10~100°C NBR(Low Temp.) -30~100°C VITON(Low Temp.) -30~100°C EPDM(Low Temp.) -30~100°C	NBR(Standard) -10~100°C VITON -10~100°C EPDM -10~100°C NBR(Low Temp.) -30~100°C VITON(Low Temp.) -30~100°C EPDM(Low Temp.) -30~100°C
Pressure Range	0.2~300bar	0.2~300bar	0.2~300bar
Piping Selection	M10*1 (taper) M10*1, M12*1.5 PT1/8", PT1/4" G1/8", G1/4" NPT 1/8", NPT 1/4"	M10*1 (taper) M10*1, M12*1.5 PT1/8", PT1/4" G1/8", G1/4" NPT 1/8", NPT 1/4"	M10*1 (taper) M10*1, M12*1.5 PT1/8", PT1/4" G1/8", G1/4" NPT 1/8", NPT 1/4"
Contact Model	NO, NC	NO, NC	NO, NC
Protection	IP67 (IEC 60529)	IP67 (IEC 60529)	IP67 (IEC 60529)
Mechanical Life	1.5X10 ⁶ cycles (in 50 bar)	1.5X10 ⁶ cycles (in 50 bar)	1.5X10 ⁶ cycles (in 50 bar)
Shock Resistance	ISO / IEC 17025, Half Sine Wave, Acceleration: 30G@14ms, ±X, ±Y, ±Z axis	ISO / IEC 17025, Half Sine Wave, Acceleration: 30G@14ms, ±X, ±Y, ±Z axis	ISO / IEC 17025, Half Sine Wave, Acceleration: 30G@14ms, ±X, ±Y, ±Z axis
Vibration Resistance	ISO / IEC 17025, Sine Wave, 5-200 Hz, Acceleration: 10G, Displacement: 16 mm, Sweeping Rate: 1 Oct/ min, Test Direction: X, Y, Z axis, Test Time: 1hr for each	ISO / IEC 17025, Sine Wave, 5-200 Hz, Acceleration: 10G, Displacement: 16 mm, Sweeping Rate: 1 Oct/ min, Test Direction: X, Y, Z axis, Test Time: 1hr for each	ISO / IEC 17025, Sine Wave, 5-200 Hz, Acceleration: 10G, Displacement: 16 mm, Sweeping Rate: 1 Oct/ min, Test Direction: X, Y, Z axis, Test Time: 1hr for each

Feature
<ul style="list-style-type: none"> ■ Robust In Any Severe Application ■ Customized Body Housing (steel, Sus316, Brass) ■ Selectable Contact (gold Contact Or Silver Contact) ■ Screw / Push-on Terminal Contact Selectable ■ High Quality And Cost Effective ■ Adjustable Pressure Range Setting

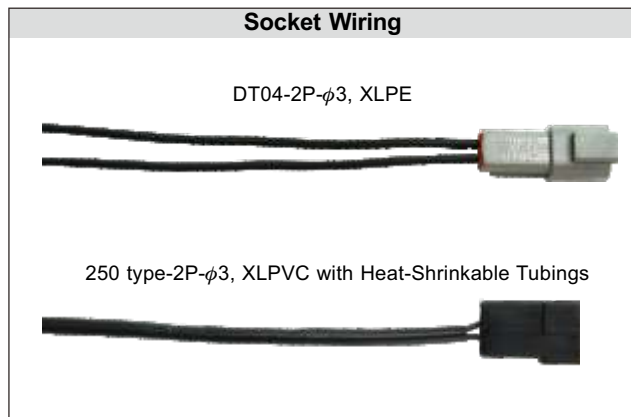
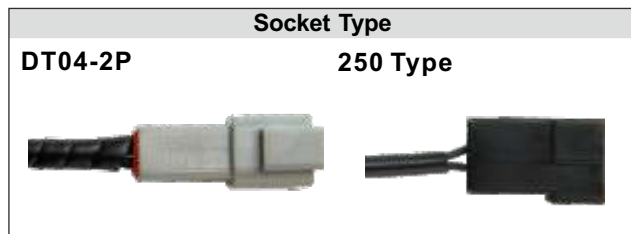
Application
<ul style="list-style-type: none"> ■ Pressure Detection For Automobile Braking System ■ Pressure Control For Piping System ■ Hydraulic Detection For Fire Fighting System ■ Hydraulic Industry ■ Lubrication System ■ Sprinkler System ■ Air Compressor ■ Medical Equipment ■ Tire Manufacturing

PRODUCT DIMENSION/ PRESSURE RANGE TOLERANCE



SQ24 Series Fixed Pressure

Pressure range	Tolerance	Connection
0.2~0.9 bar	± 0.1 Bar	M10X1 (taper)
		M10X1
		M12X1.5
1~9.9 bar	± 0.5 Bar	1/8"PT
		1/4"PT
		1/8"G
100~300 bar	± 5 %	1/4"G
		1/8"NPT
		1/4"NPT



SQ27 SPDT TYPE

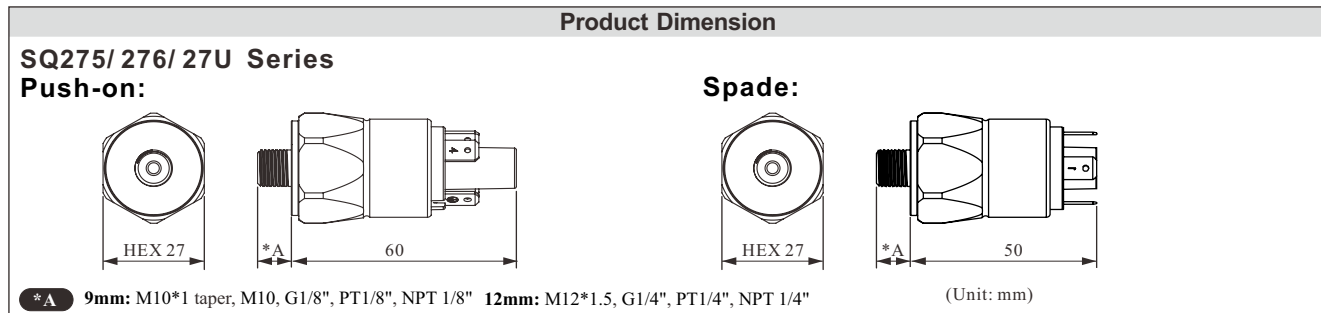


TYPE	SQ275 Series		SQ276 Series		SQ27U Series	
Hex Length	27mm		27mm		27mm	
Body Material	Zinc-Plated Steel		SUS316		Brass	
Wiring	Push-on	Spade Terminal	Push-on	Spade Terminal	Push-on	Spade Terminal
Contact rating (Max.)	2A/ 50Vdc, 4A/ 250Vac		2A/ 50Vdc, 4A/ 250Vac		2A/ 50Vdc, 4A/ 250Vac	
Response Frequency	2Hz		2Hz		2Hz	
Max. Voltage Peak	1.5KV (IEC60947-2)		1.5KV (IEC60947-2)		1.5KV (IEC60947-2)	
Electric Insulation	100MΩ(IEC60092-54 section3)		100MΩ(IEC60092-54 section3)		100MΩ(IEC60092-54 section3)	
Membrane materials/ Operation temperature	NBR(Standard) -10~100°C VITON -10~100°C EPDM -10~100°C NBR(Low Temp.) -30~100°C VITON(Low Temp.) -30~100°C EPDM(Low Temp.) -30~100°C		NBR(Standard) -10~100°C VITON -10~100°C EPDM -10~100°C NBR(Low Temp.) -30~100°C VITON(Low Temp.) -30~100°C EPDM(Low Temp.) -30~100°C		NBR(Standard) -10~100°C VITON -10~100°C EPDM -10~100°C NBR(Low Temp.) -30~100°C VITON(Low Temp.) -30~100°C EPDM(Low Temp.) -30~100°C	
Pressure Range	0.3~100bar (≤20bar with UL certification)		0.3~100bar (≤20bar with UL certification)		0.3~100bar (≤20bar with UL certification)	
Piping Selection	M10*1 (taper) M10*1, M12*1.5 PT1/8", PT1/4" G1/8", G1/4" NPT 1/8", NPT 1/4"		M10*1 (taper) M10*1, M12*1.5 PT1/8", PT1/4" G1/8", G1/4" NPT 1/8", NPT 1/4"		M10*1 (taper) M10*1, M12*1.5 PT1/8", PT1/4" G1/8", G1/4" NPT 1/8", NPT 1/4"	
Contact Model	SPDT		SPDT		SPDT	
Body Protection	IP00 (IEC 60529)		IP00 (IEC 60529)		IP00 (IEC 60529)	
Mechanical Life	1.5X10 ⁶ cycles (in 50 bar)		1.5X10 ⁶ cycles (in 50 bar)		1.5X10 ⁶ cycles (in 50 bar)	
Screw Torque	<0.35Nm		<0.35Nm		<0.35Nm	
Shock Resistance	ISO / IEC 17025, Half Sine Wave, Acceleration: 30G@14ms, ±X, ±Y, ±Z axis		ISO / IEC 17025, Half Sine Wave, Acceleration: 30G@14ms, ±X, ±Y, ±Z axis		ISO / IEC 17025, Half Sine Wave, Acceleration: 30G@14ms, ±X, ±Y, ±Z axis	
Vibration Resistance	ISO / IEC 17025, Sine Wave, 5-200 Hz, Acceleration: 10G, Displacement: 16 mm, Sweeping Rate: 1 Oct/ min, Test Direction: X, Y, Z axis, Test Time: 1hr for each		ISO / IEC 17025, Sine Wave, 5-200 Hz, Acceleration: 10G, Displacement: 16 mm, Sweeping Rate: 1 Oct/ min, Test Direction: X, Y, Z axis, Test Time: 1hr for each		ISO / IEC 17025, Sine Wave, 5-200 Hz, Acceleration: 10G, Displacement: 16 mm, Sweeping Rate: 1 Oct/ min, Test Direction: X, Y, Z axis, Test Time: 1hr for each	

Feature
<ul style="list-style-type: none"> ■ Robust In Any Severe Application ■ Customized Body Housing (steel, Sus316, Brass) ■ Selectable Contact (gold Contact Or Silver Contact) ■ Screw / Push-on Terminal Contact Selectable ■ High Quality And Cost Effective ■ Adjustable Pressure Range Setting

Application
<ul style="list-style-type: none"> ■ Pressure Detection For Automobile Braking System ■ Pressure Control For Piping System ■ Hydraulic Detection For Fire Fighting System ■ Hydraulic Industry ■ Lubrication System ■ Sprinkler System ■ Air Compressor ■ Medical Equipment ■ Tire Manufacturing

PRODUCT DIMENSION/ PRESSURE RANGE TOLERANCE



SQ27 Series Field Adjustable/ Fixed Pressure

※ ≤20bar with UL certification

Pressure range	Tolerance	Connection
0.3~0.9bar	± 0.1 bar	M10X1 (taper)
		M10X1
		M12X1.5
		1/8"PT
		1/4"PT
		1/8"G
		1/4"G
		1/8"NPT
1~9.9bar	± 0.5 bar	M10X1 (taper)
		M10X1
		M12X1.5
		1/8"PT
10~19bar	± 5%	1/4"PT
		1/8"G
		1/4"G
		1/8"NPT
20~49bar	± 5%	1/4"NPT
		M10X1 (taper)
		M10X1
		M12X1.5
50~100bar	± 5%	1/8"PT
		1/4"PT
		1/8"G
		1/4"G
		1/8"NPT
		1/4"NPT
		M10X1 (taper)
		M10X1

SQ27 DIN TYPE

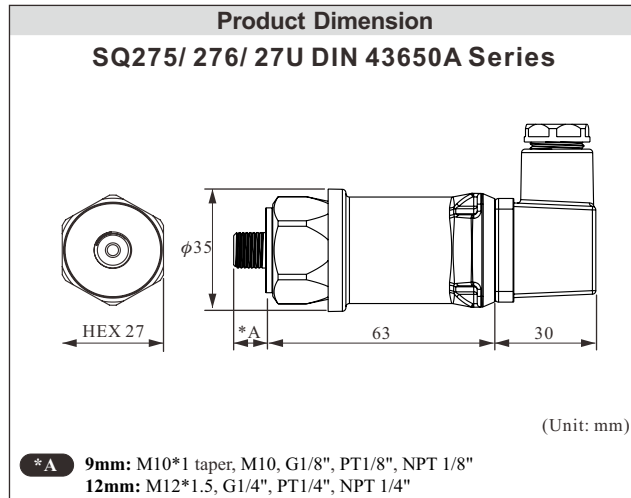


TYPE	SQ275 Series	SQ276 Series	SQ27U Series
Hex Length	27mm	27mm	27mm
Body Material	Zinc-Plated Steel ROHS	SUS316	Brass
Contact rating (Max.)	2A/ 50Vdc, 4A/ 250Vac	2A/ 50Vdc, 4A/ 250Vac	2A/ 50Vdc, 4A/ 250Vac
Response Frequency	2Hz	2Hz	2Hz
Max. Voltage Peak	1.5KV (IEC60947-2)	1.5KV (IEC60947-2)	1.5KV (IEC60947-2)
Electric Insulation	100MΩ(IEC60092-54 section3)	100MΩ(IEC60092-54 section3)	100MΩ(IEC60092-54 section3)
Membrane materials/ Operation temperature	NBR(Standard) -10~100°C VITON -10~100°C EPDM -10~100°C NBR(Low Temp.) -30~100°C VITON(Low Temp.) -30~100°C EPDM(Low Temp.) -30~100°C	NBR(Standard) -10~100°C VITON -10~100°C EPDM -10~100°C NBR(Low Temp.) -30~100°C VITON(Low Temp.) -30~100°C EPDM(Low Temp.) -30~100°C	NBR(Standard) -10~100°C VITON -10~100°C EPDM -10~100°C NBR(Low Temp.) -30~100°C VITON(Low Temp.) -30~100°C EPDM(Low Temp.) -30~100°C
Pressure Range	0.3~100bar (≤20bar with UL certification)	0.3~100bar (≤20bar with UL certification)	0.3~100bar (≤20bar with UL certification)
Piping Selection	M10*1 (taper) M10*1, M12*1.5 PT1/8", PT1/4" G1/8", G1/4" NPT 1/8", NPT 1/4"	M10*1 (taper) M10*1, M12*1.5 PT1/8", PT1/4" G1/8", G1/4" NPT 1/8", NPT 1/4"	M10*1 (taper) M10*1, M12*1.5 PT1/8", PT1/4" G1/8", G1/4" NPT 1/8", NPT 1/4"
Contact Model	SPDT	SPDT	SPDT
Protection	IP65 (IEC 60529)	IP65 (IEC 60529)	IP65 (IEC 60529)
Mechanical Life	1.5X10 ⁶ cycles (in 50 bar)	1.5X10 ⁶ cycles (in 50 bar)	1.5X10 ⁶ cycles (in 50 bar)
Screw Torque	<0.35Nm	<0.35Nm	<0.35Nm
Shock Resistance	ISO / IEC 17025, Half Sine Wave, Acceleration: 30G@14ms, ±X, ±Y, ±Z axis	ISO / IEC 17025, Half Sine Wave, Acceleration: 30G@14ms, ±X, ±Y, ±Z axis	ISO / IEC 17025, Half Sine Wave, Acceleration: 30G@14ms, ±X, ±Y, ±Z axis
Vibration Resistance	ISO / IEC 17025, Sine Wave, 5-200 Hz, Acceleration: 10G, Displacement: 16 mm, Sweeping Rate: 1 Oct/ min, Test Direction: X, Y, Z axis, Test Time: 1hr for each	ISO / IEC 17025, Sine Wave, 5-200 Hz, Acceleration: 10G, Displacement: 16 mm, Sweeping Rate: 1 Oct/ min, Test Direction: X, Y, Z axis, Test Time: 1hr for each	ISO / IEC 17025, Sine Wave, 5-200 Hz, Acceleration: 10G, Displacement: 16 mm, Sweeping Rate: 1 Oct/ min, Test Direction: X, Y, Z axis, Test Time: 1hr for each

Feature
<ul style="list-style-type: none"> ■ Robust In Any Severe Application ■ Customized Body Housing (steel, Sus316, Brass) ■ Selectable Contact (Gold Contact or Silver Contact) ■ Screw / Push-on Terminal Contact Selectable ■ High Quality And Cost Effective ■ Adjustable Pressure Range Setting

Application
<ul style="list-style-type: none"> ■ Pressure Detection For Automobile Braking System ■ Pressure Control For Piping System ■ Hydraulic Detection For Fire Fighting System ■ Hydraulic Industry ■ Lubrication System ■ Sprinkler System ■ Air Compressor ■ Medical Equipment ■ Tire Manufacturing

PRODUCT DIMENSION/ PRESSURE RANGE TOLERANCE



SQ27 DIN Series Field Adjustable/ Fixed Pressure

※ ≤20bar with UL certification

Pressure range	Tolerance	Connection
0.3~0.9bar	± 0.1 bar	M10X1 (taper)
		M10X1
		M12X1.5
		1/8"PT
		1/4"PT
		1/8"G
		1/4"G
		1/8"NPT
1~9.9bar	± 0.5 bar	1/4"NPT
		M10X1 (taper)
		M10X1
		M12X1.5
10~19bar	± 5%	1/8"PT
		1/4"PT
		1/8"G
		1/4"G
20~49bar	± 5%	1/8"NPT
		1/4"NPT
		M10X1 (taper)
		M10X1
		M12X1.5
		1/8"PT
		1/4"PT
		1/8"G
1/4"G		
50~100bar	± 5%	1/8"NPT
		1/4"NPT
		M10X1 (taper)
		M10X1
		M12X1.5
		1/8"PT
		1/4"PT
		1/8"G
1/4"G		

SQ34 SPST HIGH ACCURAY TYPE

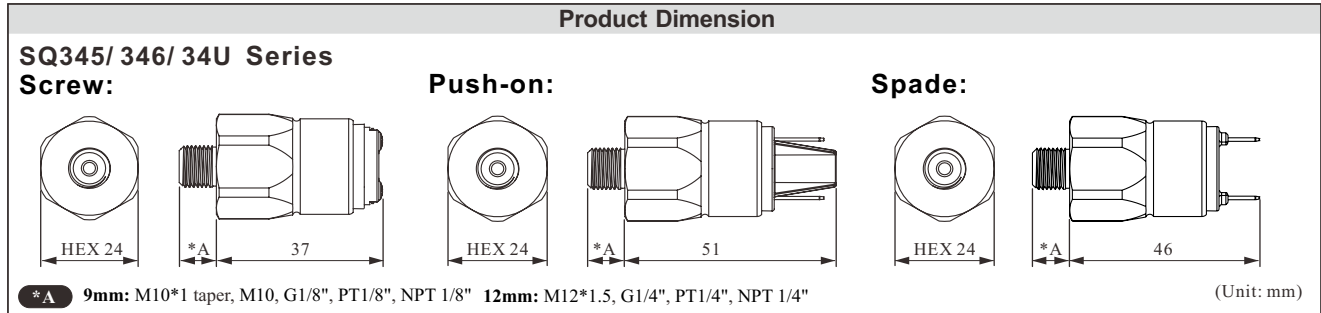


TYPE	SQ345 Series			SQ346 Series			SQ34U Series		
Hex length	24mm			24mm			24mm		
Body material	Zinc-Plated Steel ROHS			SUS316			Brass		
Wiring	Screw	Push-on	Spade Terminal	Screw	Push-on	Spade Terminal	Screw	Push-on	Spade Terminal
Contact rating (Max.)	4A/ 50Vdc, 4A/ 250Vac			4A/ 50Vdc, 4A/ 250Vac			4A/ 50Vdc, 4A/ 250Vac		
Response frequency	2Hz			2Hz			2Hz		
Max. Voltage peak	1.5KV (IEC60947-2)			1.5KV (IEC60947-2)			1.5KV (IEC60947-2)		
Electric insulation	100MΩ(IEC60092-54 section3)			100MΩ(IEC60092-54 section3)			100MΩ(IEC60092-54 section3)		
Membrane materials/ Operation temperature	NBR(Standard)	-10~100°C		NBR(Standard)	-10~100°C		NBR(Standard)	-10~100°C	
	VITON	-10~100°C		VITON	-10~100°C		VITON	-10~100°C	
	EPDM	-10~100°C		EPDM	-10~100°C		EPDM	-10~100°C	
	NBR(Low Temp.)	-30~100°C		NBR(Low Temp.)	-30~100°C		NBR(Low Temp.)	-30~100°C	
	VITON(Low Temp.)	-30~100°C		VITON(Low Temp.)	-30~100°C		VITON(Low Temp.)	-30~100°C	
	EPDM(Low Temp.)	-30~100°C		EPDM(Low Temp.)	-30~100°C		EPDM(Low Temp.)	-30~100°C	
Pressure range	0.2~99bar (≤20bar with UL certification)			0.2~99bar (≤20bar with UL certification)			0.2~99bar (≤20bar with UL certification)		
Piping selection	M10*1 (taper) M10*1, M12*1.5 PT1/8", PT1/4" G1/8", G1/4" NPT 1/8", NPT 1/4"			M10*1 (taper) M10*1, M12*1.5 PT1/8", PT1/4" G1/8", G1/4" NPT 1/8", NPT 1/4"			M10*1 (taper) M10*1, M12*1.5 PT1/8", PT1/4" G1/8", G1/4" NPT 1/8", NPT 1/4"		
Contact model	NO, NC			NO, NC			NO, NC		
Protection(optional)	IP67 (IEC 60529)			IP67 (IEC 60529)			IP67 (IEC 60529)		
Mechanical life	1.5X10 ⁶ cycles (in 50 bar)			1.5X10 ⁶ cycles (in 50 bar)			1.5X10 ⁶ cycles (in 50 bar)		
Screw torque	<0.35Nm			<0.35Nm			<0.35Nm		
Shock resistance	ISO / IEC 17025, Half Sine Wave, Acceleration: 30G@14ms, ±X, ±Y, ±Z axis			ISO / IEC 17025, Half Sine Wave, Acceleration: 30G@14ms, ±X, ±Y, ±Z axis			ISO / IEC 17025, Half Sine Wave, Acceleration: 30G@14ms, ±X, ±Y, ±Z axis		
Vibration resistance	ISO / IEC 17025, Sine Wave, 5-200 Hz, Acceleration: 10G, Displacement: 16 mm, Sweeping Rate: 1 Oct/ min, Test Direction: X, Y, Z axis, Test Time: 1hr for each			ISO / IEC 17025, Sine Wave, 5-200 Hz, Acceleration: 10G, Displacement: 16 mm, Sweeping Rate: 1 Oct/ min, Test Direction: X, Y, Z axis, Test Time: 1hr for each			ISO / IEC 17025, Sine Wave, 5-200 Hz, Acceleration: 10G, Displacement: 16 mm, Sweeping Rate: 1 Oct/ min, Test Direction: X, Y, Z axis, Test Time: 1hr for each		

Feature
<ul style="list-style-type: none"> ■ Robust In Any Severe Application ■ Customized Body Housing (steel, Sus316, Brass) ■ Selectable Contact (Gold Contact or Silver Contact) ■ Screw / Push-on Terminal Contact Selectable ■ High Quality And Cost Effective ■ Adjustable Pressure Range Setting

Application
<ul style="list-style-type: none"> ■ Pressure Detection For Automobile Braking System ■ Pressure Control For Piping System ■ Hydraulic Detection For Fire Fighting System ■ Hydraulic Industry ■ Lubrication System ■ Sprinkler System ■ Air Compressor ■ Medical Equipment ■ Tire Manufacturing

PRODUCT DIMENSION/ PRESSURE RANGE TOLERANCE



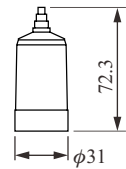
SQ34 Series Field Adjustable Pressure/ Fixed Pressure

※ ≤20bar with UL certification

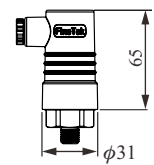
Pressure range	Tolerance	Connection
0.2~0.9bar	±0.05bar	M10X1 (taper)
		M10X1
		M12X1.5
		1/8"PT
		1/4"PT
		1/8"G
		1/4"G
		1/8"NPT
1~9.9bar	±0.3bar	M10X1 (taper)
		M10X1
		M12X1.5
		1/8"PT
		1/4"PT
		1/8"G
		1/4"G
		1/8"NPT
10~19bar	±3%	M10X1 (taper)
		M10X1
		M12X1.5
		1/8"PT
		1/4"PT
		1/8"G
		1/4"G
		1/8"NPT
20~49bar	±3%	M10X1 (taper)
		M10X1
		M12X1.5
		1/8"PT
		1/4"PT
		1/8"G
		1/4"G
		1/8"NPT
50~99bar	±3%	M10X1 (taper)
		M10X1
		M12X1.5
		1/8"PT
		1/4"PT
		1/8"G
		1/4"G
		1/8"NPT

Option:

Body Protect Cover: SQXAM1P-07D0000001
Material: NBR
Protection Grade: IP67



Body Protect Cover: SQXCM1P-PGA0000001
Material: Nylon
Protection Grade: IP67
★ Only SQ34 Push-on Type to use.



To comply with CE, SQ34 series need to add anti-dust cover.

SQ34 SPST HIGH ACCURAY TYPE

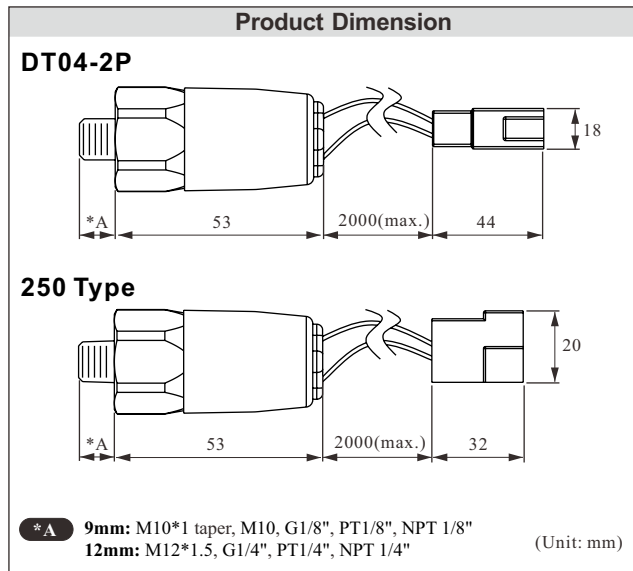


TYPE	SQ345 Series	SQ346 Series	SQ34U Series
Hex Length	24mm	24mm	24mm
Body Material	Zinc-Plated Steel	SUS316	Brass
Wiring	DT04-2P, 250 Type	DT04-2P, 250 Type	DT04-2P, 250 Type
Contact rating (Max.)	4A/ 50Vdc, 4A/ 250Vac	4A/ 50Vdc, 4A/ 250Vac	4A/ 50Vdc, 4A/ 250Vac
Response Frequency	2Hz	2Hz	2Hz
Max. Voltage Peak	1.5KV (IEC60947-2)	1.5KV (IEC60947-2)	1.5KV (IEC60947-2)
Electric Insulation	100MΩ(IEC60092-54 section3)	100MΩ(IEC60092-54 section3)	100MΩ(IEC60092-54 section3)
Membrane materials/ Operation temperature	NBR(Standard) -10~100°C VITON -10~100°C EPDM -10~100°C NBR(Low Temp.) -30~100°C VITON(Low Temp.) -30~100°C EPDM(Low Temp.) -30~100°C	NBR(Standard) -10~100°C VITON -10~100°C EPDM -10~100°C NBR(Low Temp.) -30~100°C VITON(Low Temp.) -30~100°C EPDM(Low Temp.) -30~100°C	NBR(Standard) -10~100°C VITON -10~100°C EPDM -10~100°C NBR(Low Temp.) -30~100°C VITON(Low Temp.) -30~100°C EPDM(Low Temp.) -30~100°C
Pressure Range	0.2~99bar	0.2~99bar	0.2~99bar
Piping Selection	M10*1 (taper) M10*1, M12*1.5 PT1/8", PT1/4" G1/8", G1/4" NPT 1/8", NPT 1/4"	M10*1 (taper) M10*1, M12*1.5 PT1/8", PT1/4" G1/8", G1/4" NPT 1/8", NPT 1/4"	M10*1 (taper) M10*1, M12*1.5 PT1/8", PT1/4" G1/8", G1/4" NPT 1/8", NPT 1/4"
Contact Model	NO, NC	NO, NC	NO, NC
Protection	IP67 (IEC 60529)	IP67 (IEC 60529)	IP67 (IEC 60529)
Mechanical Life	1.5X10 ⁶ cycles (in 50 bar)	1.5X10 ⁶ cycles (in 50 bar)	1.5X10 ⁶ cycles (in 50 bar)
Shock Resistance	ISO / IEC 17025, Half Sine Wave, Acceleration: 30G@14ms, ±X, ±Y, ±Z axis	ISO / IEC 17025, Half Sine Wave, Acceleration: 30G@14ms, ±X, ±Y, ±Z axis	ISO / IEC 17025, Half Sine Wave, Acceleration: 30G@14ms, ±X, ±Y, ±Z axis
Vibration Resistance	ISO / IEC 17025, Sine Wave, 5-200 Hz, Acceleration: 10G, Displacement: 16 mm, Sweeping Rate: 1 Oct/ min, Test Direction: X, Y, Z axis, Test Time: 1hr for each	ISO / IEC 17025, Sine Wave, 5-200 Hz, Acceleration: 10G, Displacement: 16 mm, Sweeping Rate: 1 Oct/ min, Test Direction: X, Y, Z axis, Test Time: 1hr for each	ISO / IEC 17025, Sine Wave, 5-200 Hz, Acceleration: 10G, Displacement: 16 mm, Sweeping Rate: 1 Oct/ min, Test Direction: X, Y, Z axis, Test Time: 1hr for each

Feature
<ul style="list-style-type: none"> ■ Robust In Any Severe Application ■ Customized Body Housing (steel, Sus316, Brass) ■ Selectable Contact (gold Contact Or Silver Contact) ■ Screw / Push-on Terminal Contact Selectable ■ High Quality And Cost Effective ■ Adjustable Pressure Range Setting

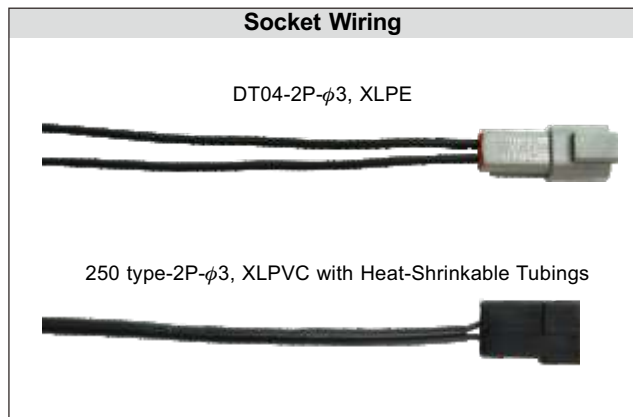
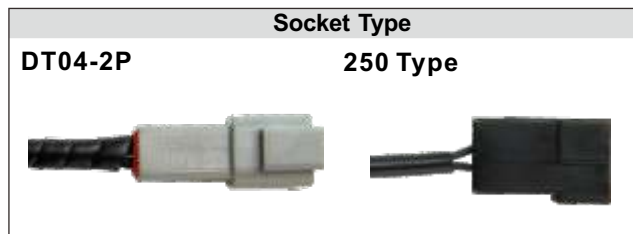
Application
<ul style="list-style-type: none"> ■ Pressure Detection For Automobile Braking System ■ Pressure Control For Piping System ■ Hydraulic Detection For Fire Fighting System ■ Hydraulic Industry ■ Lubrication System ■ Sprinkler System ■ Air Compressor ■ Medical Equipment ■ Tire Manufacturing

PRODUCT DIMENSION/ PRESSURE RANGE TOLERANCE



SQ34 Series Fixed Pressure

Pressure range	Tolerance	Connection
0.2~0.9 bar	± 0.05 Bar	M10X1 (taper)
		M10X1
		M12X1.5
1~9.9 bar	± 0.3 Bar	1/8"PT
		1/4"PT
		1/8"G
10~99 bar	± 3 %	1/4"G
		1/8"NPT
		1/4"NPT



ORDER INFORMATION



SQX1 ⑤ ⑥ ⑦ ⑧ - ⑨ ⑩ ⑪ ⑫ ⑬ ⑭ ⑮ ⑯ ⑰ ⑱ ⑲ ⑳ ㉑ ㉒ ㉓ ㉔ ㉕ ㉖

⑤⑥ **Model**
 00: Standard
 05: High-Pressure
 34: High-Accuracy

⑦⑧ **Certification**
 00: None
 3A: UL

⑨ **Hex length**
 A: 24mm
 B: 27mm

⑩ **Contact model**
 A: SPST-NO
 B: SPST-NC
 C: SPDT

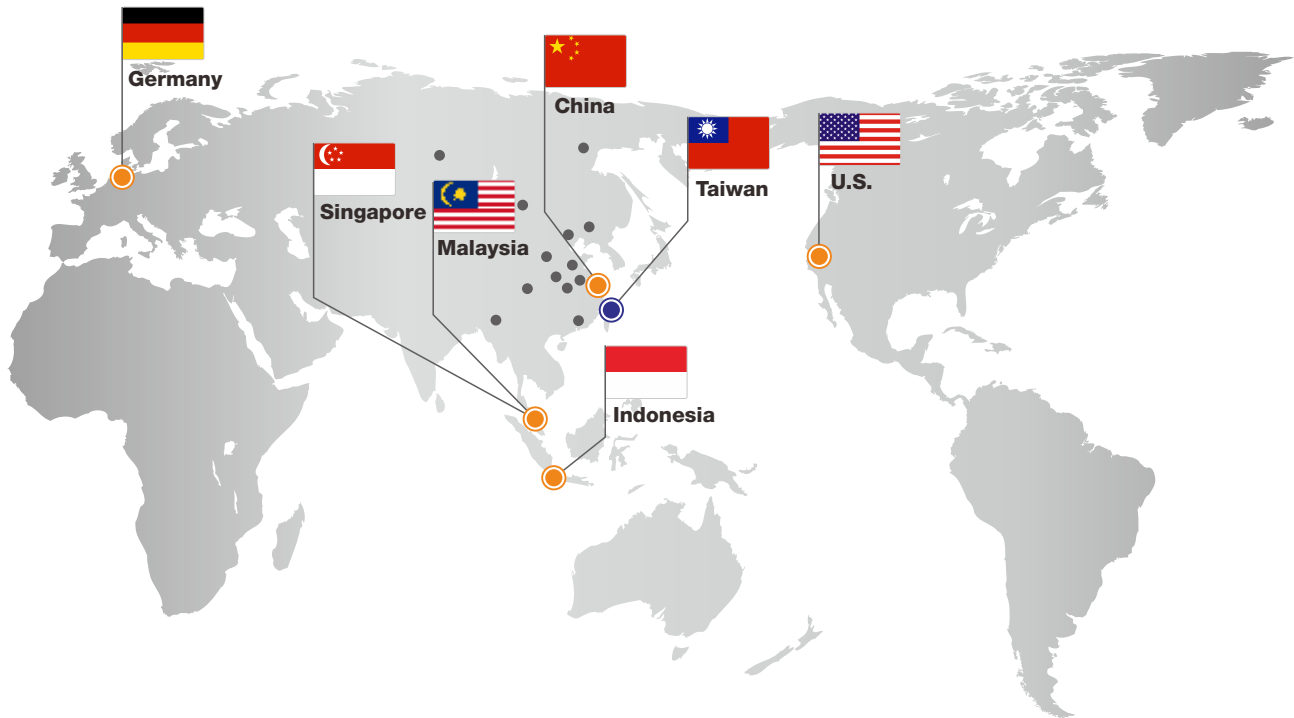
⑪⑫ **Connection**
 A1: 1/8"
 A2: 1/4"
 I1: M10
 I3: M12
 A5: 1/2"

⑬⑭ **Thread type**
 01: PT male
 07: NPT male
 17: PF(G) male
 78: (P)1 male
 82: (P)1.5 male
 90: (P)1(Taper) male

⑮ **Pressure regulation**
 A: Field adjustable
 B: Fixed

(Nextpage)

Global Network



■ Head Quarte

● Taiwan

FineTek Co., Ltd. - Taipei Head Quarter 
 No.16, Tzuchiang St., Tucheng Industrial Park
 New Taipei City 236, Taiwan
 TEL: 886-2-2269-6789
 FAX: 886-2-2268-6682
 EMAIL: info@fine-tek.com

■ North America

● California, U.S.

Aplus Finetek Sensor Inc. - US Office
 355 S. Lemon Ave, Suite D, Walnut,
 CA 91789
 TEL: 1 909 598 2488
 FAX: 1 909 598 3188
 EMAIL: info@aplusfine.com

■ Europe

● Germany

FineTek GmbH - Germany Office
 Bei den Kämpen 26
 21220 Seevetal-Ramelsloh, Germany
 TEL: +49-(0)4185-8083-12
 FAX: +49-(0)4185-8083-80
 EMAIL: info@fine-tek.de

■ Asia


● China

Fine automation Co., Ltd. - Shanghai Factory 
 No.451 DuHui Rd, MinHang District, Shanghai,
 China 201109
 TEL: 86-21-6490-7260
 EMAIL: info.sh@fine-tek.com

● Singapore

FineTek Pte Ltd. - Singapore Office
 37 Kaki Bukit Place, Level 4 Singapore 416215
 TEL: 65-6452-6340
 EMAIL: info.sg@fine-tek.com

● Indonesia

PT. FineTek Automation Indonesia - Indonesia Office 
 Tunas Bitung Industrial Park Blok C3 No.12 dan No.15
 Jalan Raya Serang Km.13.8 Kabupaten Tangerang 15710 Banten
 TEL: 62 (021)-2958-1688
 EMAIL: info.id@fine-tek.com

● Malaysia

FineTek Co., Ltd. - Malaysia Office
 8-05, Plaza Azalea, Persiaran Bandaraya,
 Seksyen 14, 40000 Shah Alam, Selangor, Malaysia
 TEL: 603-5524-7168
 EMAIL: info.my@fine-tek.com

● Müttec Instruments GmbH - Germany Office

Bei den Kämpen 26
 21220 Seevetal-Ramelsloh, Germany
 TEL: +49-(0)4185-8083-0
 FAX: +49-(0)4185-8083-80
 EMAIL: muetec@muetec.de



Distributor: