

general information	
ambient temperature	- 10°C to + 50°C
response time	6- 15 ms
mounting	in any position
standard seal materials*	NBR, FPM, EPDM*
dimensions	see page 2/3
coil data	see page 3/3
connector data	see page 3/3
order code	see page 3/3



2/2 NC, 2/2 NO, 3/2 NC and 3/2 NO mixed mountable with common inlet

* other seal materials on request

function	symbol	orifice mm	*Kv	pressure range (bar)			nominal power			TABLE A main code	
				min.	max. DC	max. AC	Watt DC	V.A. AC	AC	DC	AC
2/2 normally closed (NC) 		1.2	0.5	0	10	10	5	9	7.5	N2S612	N2S112
		1.6	1.1	0	7	7	5	9	7.5	N2S616	N2S116
		2.0	1.5	0	5	5	5	9	7.5	N2S620	N2S120
		2.4	2.0	0	4	4	5	9	7.5	N2S624	N2S124
2/2 normally open (NO) 		1.2	0.5	0	13	13	5	9	7.5	N6S712	N6S212
		1.6	1.1	0	10	10	5	9	7.5	N6S716	N6S216
		2.0	1.5	0	7	7	5	9	7.5	N6S720	N6S220
		2.4	2.0	0	5	5	5	9	7.5	N6S724	N6S224

*l/min. of water with ΔP of 1 bar

function	symbol	orifice mm	*Kv	pressure range (bar)			nominal power			TABLE A main code	
				min.	max. DC	max. AC	Watt DC	V.A. AC	AC	DC	AC
3/2 normally closed (NC) 		1.2	0.5	0	10	10	5	9	7.5	N3S612	N3S112
		1.6	1.1	0	7	7	5	9	7.5	N3S616	N3S116
		2.0	1.5	0	5	-	5	-	-	N3S620	-
		2.4	2.0	0	4	-	5	-	-	N3S624	-
3/2 normally open (NO) 		1.2	0.5	0	13	13	5	9	7.5	N7S712	N7S212
		1.6	1.1	0	10	10	5	9	7.5	N7S716	N7S216

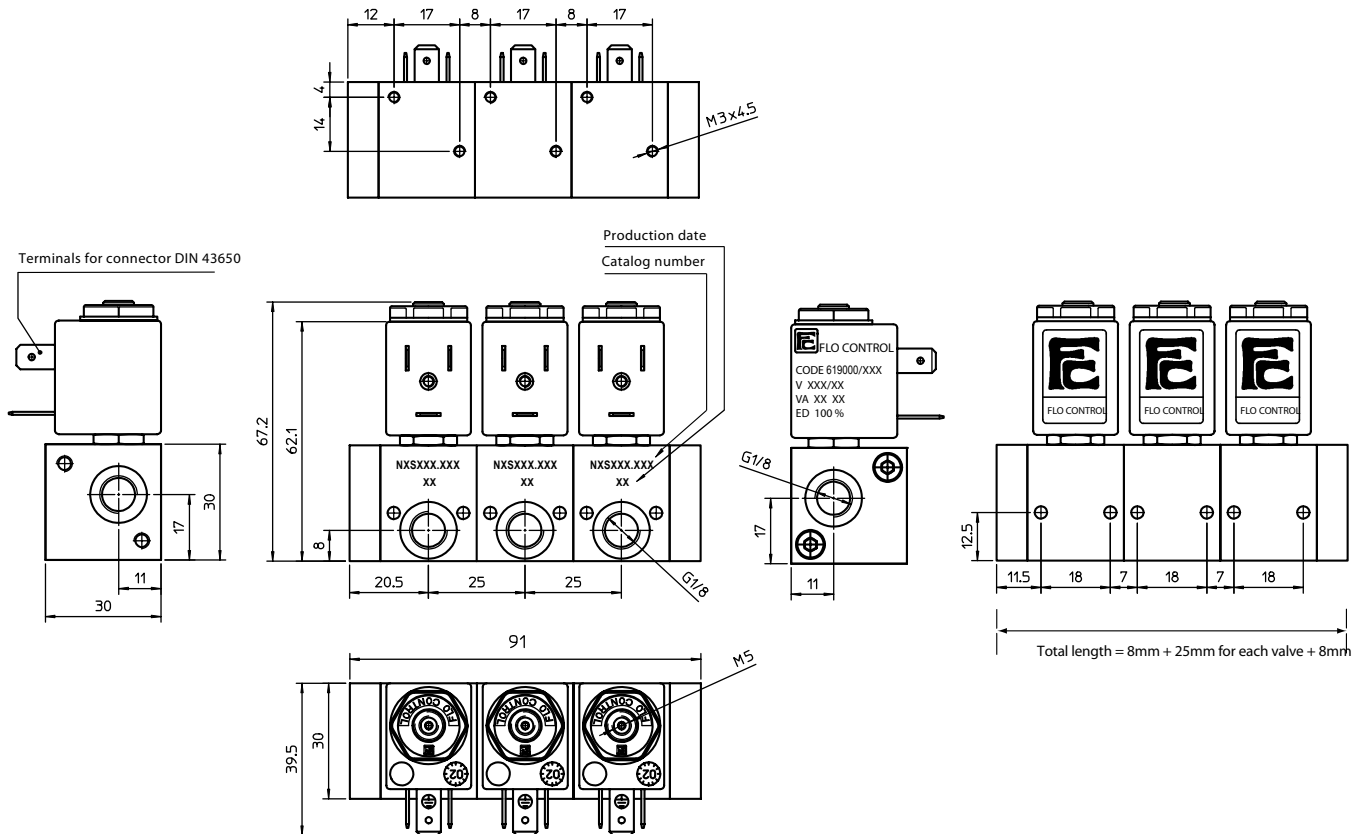
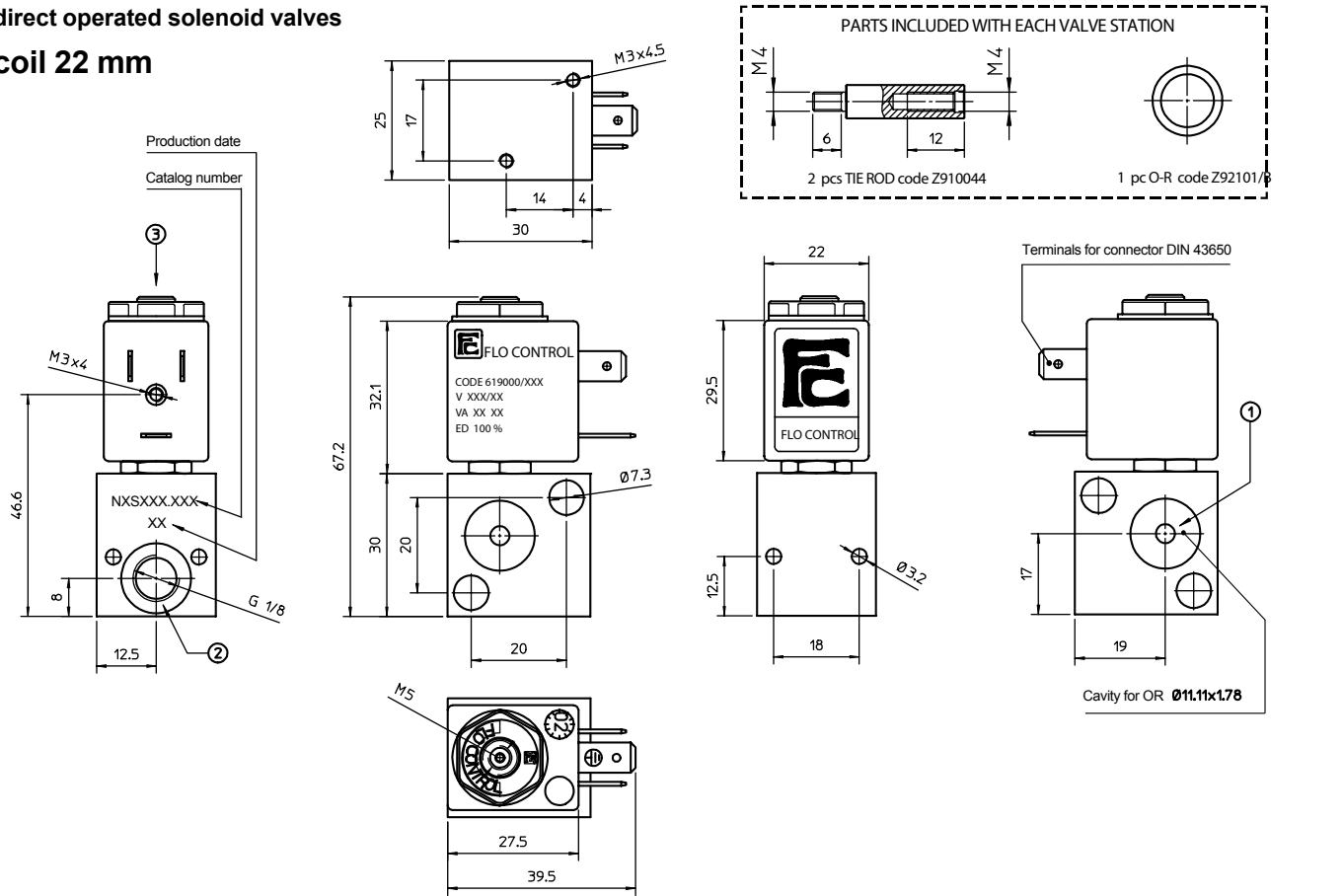
*l/min. of water with ΔP of 1 bar

FLO CONTROL

Solenoid Valves



direct operated solenoid valves
coil 22 mm



FLO CONTROL
Solenoid Valves



direct operated solenoid valves

coil 22 mm

order code valve station

N **S** . **0** . **4**

main code
see table A on page 1/3

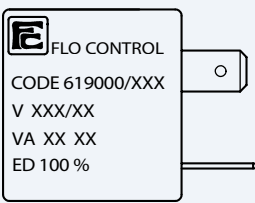
stem	
code	material
A	stainless steel
D	brass*
*option: chem. nickel	

seals	
code	material
B	NBR
V	FPM
E	EPDM

coil code
see table B on this page

order code mounting kit (one per complete system) :
(2x G1/8 end plates)

Z **1** **1** **2** **5** **0** .

coil code	TABLE B			
	*voltages	code		
		~ 50 Hz	~ 60 Hz	= DC
	6	-	-	461
	12	-	-	466
	24	411	444	471
	48	416	-	476
	110	421	-	481
	115	-	453	-
	220	431	-	491
	230	457	459	-

coil specification	
wire insulation	class H180° C
encapsulation	class F155° C
encapsulation mat.	nylon
energising duration	100% at +20° C ambient
voltage tolerance	- 10% to +15% of nominal voltage
power consumption	AC 7,5 VA - DC 5 Watt
electrical connection	DIN 43650/B (2P+ earth)
cable connection	Pg 9 (for cable dia. 6-8mm)
protection class	IP 65 (with connector)

* other voltages and wattages on request

connector (not included, must be ordered separately)

code Z10030

FLO CONTROL
Solenoid Valves

