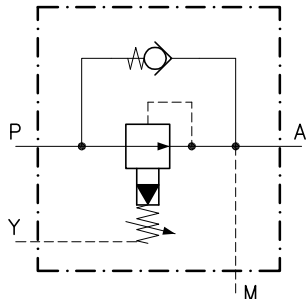
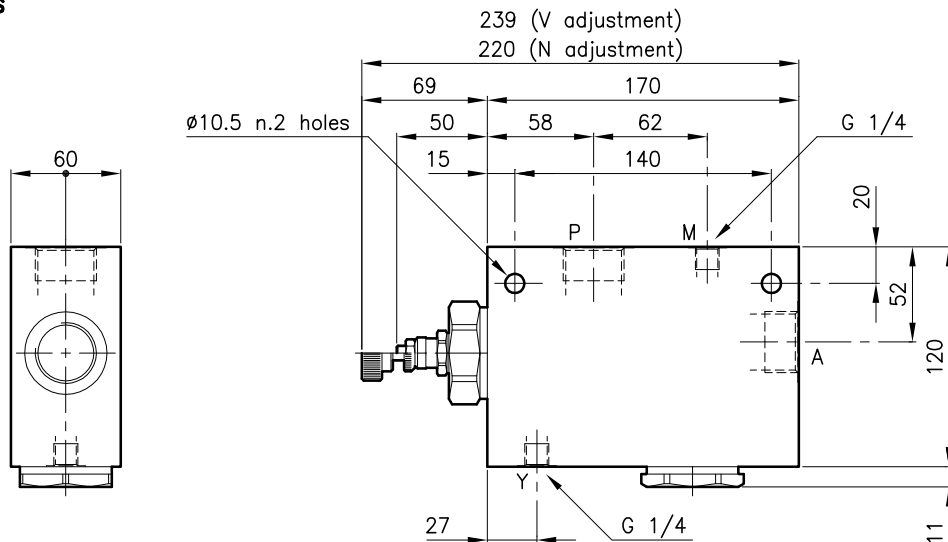


Technical features



Valves	(For features see catalogue 03.050)	RLY 70
	(For features see catalogue 05.080)	CAE 70/P
Max. flow	(l/min.)	160
Max. pressure in P	(bar)	420
Pressure setting range	(bar)	10 - 210
Fluid viscosity range	(cSt)	2.8 - 380
Fluid temperature range	(°C)	-20 +80
Mass	(kg)	4.600
Standard setting obtained with 1 l/min.		
Hydraulic fluid; mineral oil HM and HV ISO 6074		
Recommended filtration; 19/15 ISO 4466 (25 μ absolutes)		
Standard seals in Polyurethane and Buna N		

Dimensions



Ordering informations

RLY 70/D-N-CSL 11-B20

Valve type

Standard spring

Type Setting range

D = 10 - 210 bar

Adjustment type

N = Standard adjustment

V = Handknob adjustment

Version

Standard ports

B16 = G 1 ISO 228

B20 = G 1.1/4 ISO 228

Codes:

RLY 70/D-N-CSL 11-B16 71 011 146

RLY 70/D-V-CSL 11-B16 71 011 147

RLY 70/D-N-CSL 11-B20 71 011 148

RLY 70/D-V-CSL 11-B20 71 011 149

Only body codes:

Body type 70-CSL 11-B16 78 144 108

Body type 70-CSL 11-B20 78 144 109