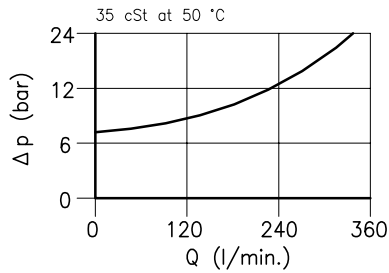
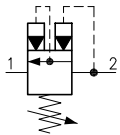


Technical features

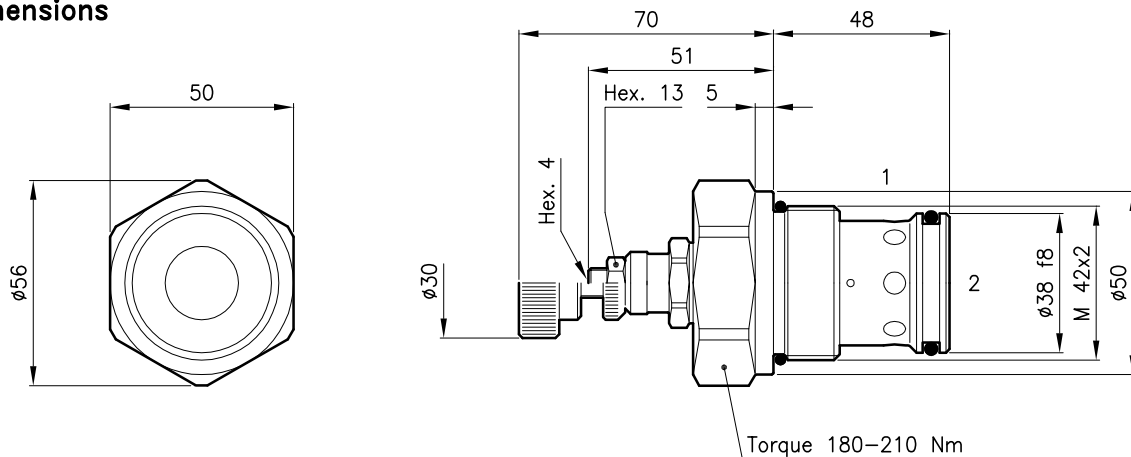
LPQ 70 valves are used to unload a line under pressure or as sequence valve. At setting pressure achievement the valve opens itself allowing the free passage with a very low pressure drop.

The valve closes when pressure falls under a 7 bar value.



| | |
|---|-----------|
| Cavity (For dimensions see catalogue 17.000) | S 70/2 |
| Max. flow (l/min.) | 320 |
| Max. inlet pressure (bar) | 420 |
| Max. pressure on line 1 (bar) | 210 |
| Fluid viscosity range (cSt) | 2.8 - 380 |
| Fluid temperature range (°C) | -20 +80 |
| Max. reseal pressure (bar) | 7 |
| Max. leakage (cm ³ /min.) | 50 |
| Mass (kg) | 0.800 |
| Cracking pressure 95% of setting value | |
| Cracking pressure defined with 1 l/min. | |
| Hydraulic fluid; mineral oil HM and HV ISO 6074 | |
| Recommended filtration; 19/15 ISO 4466 (25 μ absolutes) | |
| Standard seals in Polyurethane and Buna N | |

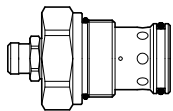
Dimensions



Ordering informations

LPQ 70/D-N

LPQ 70 = Valve type



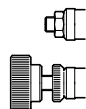
Standard springs

| Type | Setting range | Factory set |
|----------|-----------------|-------------|
| D | = 14 - 210 bar | 140 bar |
| Q | = 105 - 420 bar | 315 bar |

Adjustment type

N = Standard adjustment

V = Handknob adjustment



Codes:

| | |
|--------------------|------------|
| LPQ 70/D-N | 71 011 110 |
| LPQ 70/Q-N | 71 011 111 |
| LPQ 70/D-V | 71 011 112 |
| LPQ 70/Q-V | 71 011 113 |
| External seals kit | 90 620 109 |

LPQ 70 valves can be assembled on standard bodies 70-L0 series; for dimensions see catalogue 16.010