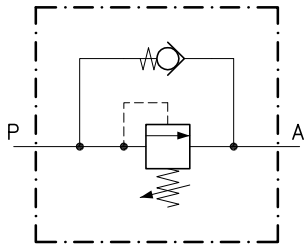


**Technical features**

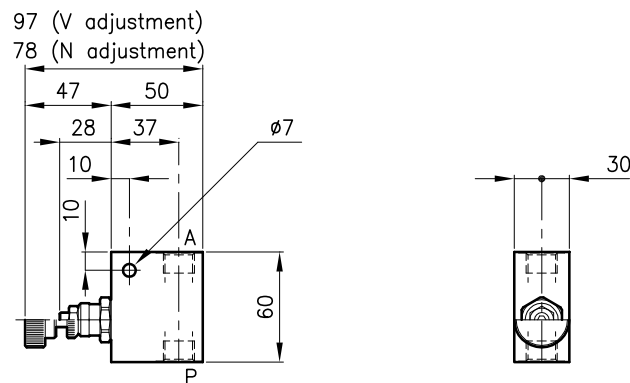
The main valve keeps closed till reaching set pressure, as this value gets over the valve opens and feeds the secondary circuit. The pressure required from secondary circuit adds to the setting pressure.

The annexed by-pass valve allows the reverse free-flow.



Valves	(For features see catalogue 02.030)	LPS 20/20
	(For features see catalogue 05.005)	CB 20
Max. flow	(l/min.)	12
Max. pressure in P	(bar)	420
Max. pressure on A	(bar)	210
Fluid viscosity range	(cSt)	2.8 - 380
Fluid temperature range	(°C)	-20 +80
Mass	(kg)	0.330
Cracking pressure 95% of setting value		
Reseat pressure 90% of setting value		
Cracking pressure defined with 1 l/min.		
Hydraulic fluid; mineral oil HM and HV ISO 6074		
Recommended filtration; 19/15 ISO 4466 (25 μ absolutes)		
Standard seals in Polyurethane and Buna N		

**Dimensions**



**Ordering informations**

**LPS 20/20-D-N-CSL 10-B06**

Valve type

Standard springs

Type Setting range

**D** = 7 - 210 bar

**Q** = 105 - 420 bar

Adjustment type

**N** = Standard adjustment

**V** = Handknob adjustment

Version

Standard ports

**B06** = G 3/8 ISO 228

Codes:

LPS 20/20-D-N-CSL 10-B06 21 011 177

LPS 20/20-Q-N-CSL 10-B06 21 011 178

LPS 20/20-D-V-CSL 10-B06 21 011 179

LPS 20/20-Q-V-CSL 10-B06 21 011 180

Only body code:

Body type 20-CSL 10-B06 28 144 116