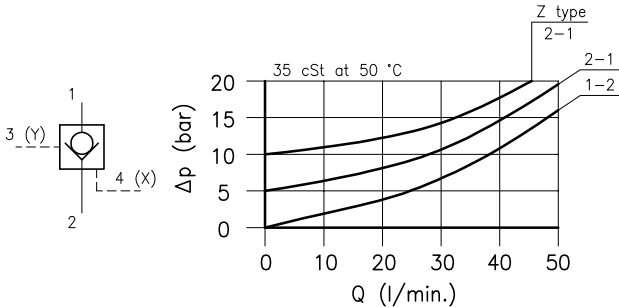
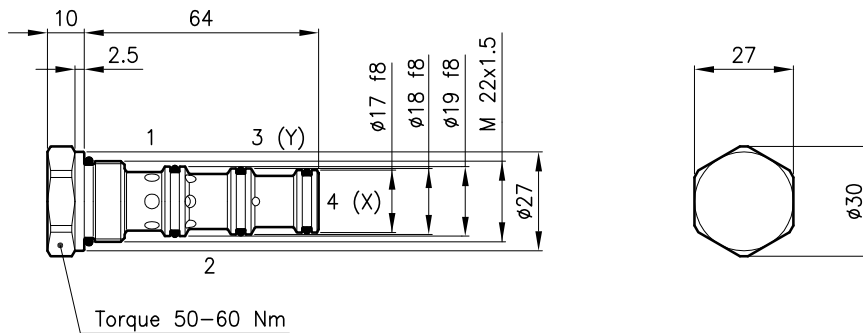


Technical features



Cavity	(For dimensions see catalogue 17.000)	S 30/4
Nominal flow	(l/min.)	40
Max. pressure	(bar)	350
Pilot ratio		2.5:1
Pilot volume	(cm ³)	0.10
Max. drain in 3 (Y)	(cm ³ /1)	15
Fluid viscosity range	(cSt)	2.8 - 380
Fluid temperature range	(°C)	-20 +80
Mass	(kg)	0.130
Hydraulic fluid; mineral oil HM and HV		ISO 6074
Recommended filtration; 19/15 ISO 4466 (25 μ absolutes)		
Standard seals in Polyurethane and Buna N		

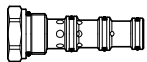
Dimensions



Ordering informations

CDP 30/M-S

CDP 30 = Valve type



Standard spring

M = 5 bar

Z = 10 bar

S = Without O-Ring on the pilot piston
(Omit in Standard version)

Codes:

CDP 30/M 32 011 143

CDP 30/M-S 32 011 144

CDP 30/Z 32 011 152

External seals kit 90 620 105

CDP 30 valves can be assembled on standard bodies 30-C4 series; for dimensions see catalogue 16.011