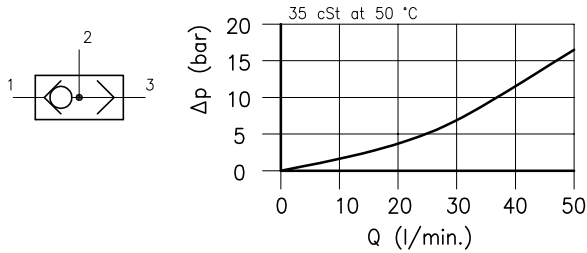
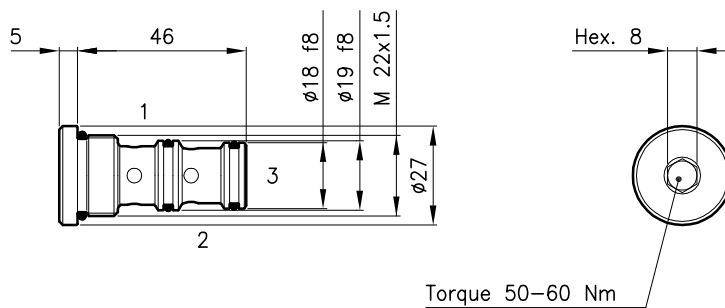


Technical features



Cavity	(For dimensions see catalogue 17.000)	S 30/3
Nominal flow	(l/min.)	40
Max. pressure	(bar)	350
Fluid viscosity range	(cSt)	2.8 - 380
Fluid temperature range	(°C)	-20 +80
Mass	(kg)	0.120
Hydraulic fluid; mineral oil HM and HV		ISO 6074
Recommended filtration; 19/15 ISO 4466 (25 μ absolutes)		
Standard seals in Polyurethane and Buna N		

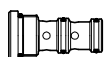
Dimensions



Ordering informations

CCI 30

CCI 30 = Valve type



Codes:

CCI 30 32 011 112

External seals kit 90 620 104

CCI 30 valves can be assembled on standard bodies 30-C3 series; for dimensions see catalogue 16.010