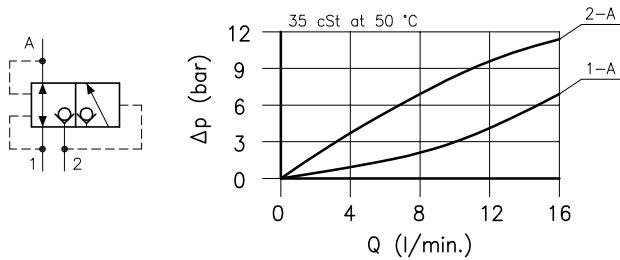
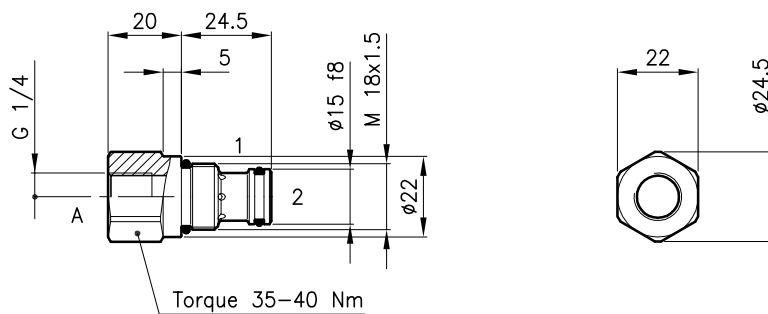


Technical features



| | | |
|---|---------------------------------------|-----------|
| Cavity | (For dimensions see catalogue 17.000) | S 20/2 |
| Nominal flow | (l/min.) | 12 |
| Max. pressure | (bar) | 210 |
| Fluid viscosity range | (cSt) | 2.8 - 380 |
| Fluid temperature range | (°C) | -20 +80 |
| Mass | (kg) | 0.060 |
| Hydraulic fluid; mineral oil HM and HV | | ISO 6074 |
| Recommended filtration; 19/15 ISO 4466 (25 μ absolutes) | | |
| Standard seals in Polyurethane and Buna N | | |

Dimensions



Ordering informations

CCE 20/B05

CCE 20 = Valve type



Cartridge port

B05 = G 1/4 Standard

Codes:

CCE 20/B05 22 011 103

External seals kit 90 620 100

CCE 20 valves can be assembled on standard bodies 20-LO series; for dimensions see catalogue 16.010