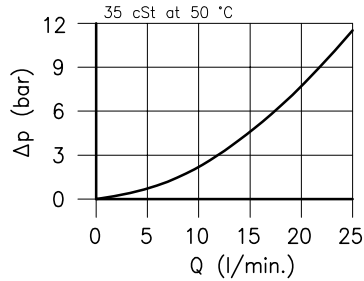
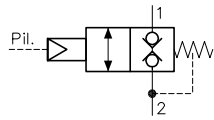


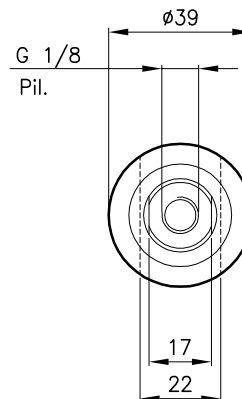
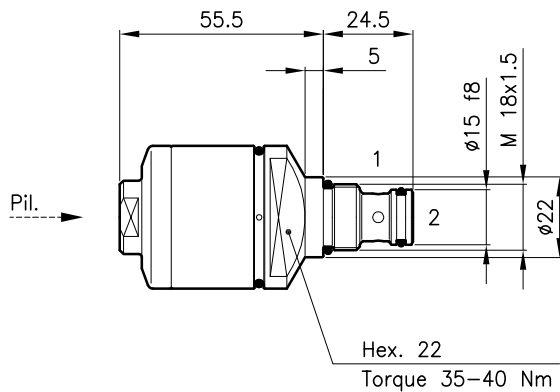
Technical features



Cavity (For dimensions see catalogue 17.000)	S 20/2
Max. flow (l/min.)	25
Max. pressure way 1 (bar)	315
Max. pressure way 2 (bar)	50
Pilot pressure (min.) (bar)	7
Fluid viscosity range (cSt)	2.8 - 380
Fluid temperature range (°C)	-20 +80
Mass (kg)	0.320
Hydraulic fluid; mineral oil HM and HV	ISO 6074
Recommended filtration; 19/15 ISO 4466 (25 μ absolutes)	
Standard seals in Polyurethane and Buna N	

Dimensions

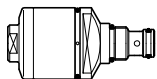
Pressure of chamber 2 influences the necessary pilot pressure for valve's drive (pilot ratio 20:1).



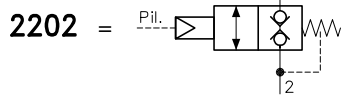
Ordering informations

OCD 20/2202-PN7

OCD 20 = Valve type



Circuit



PNEUMATIC Pilot = 7 bar

Codes:

OCD 20/2202-PN7 22 011 198

External seals kit 90 620 100

OCD 20/22.. valves can be assembled on standard bodies 20-L0 series; for dimensions see catalogue 16.010