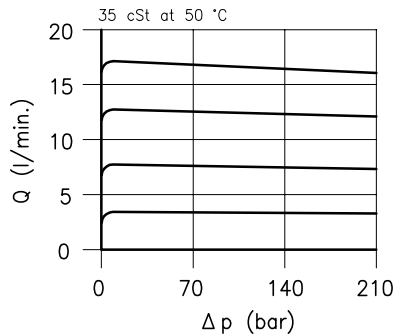
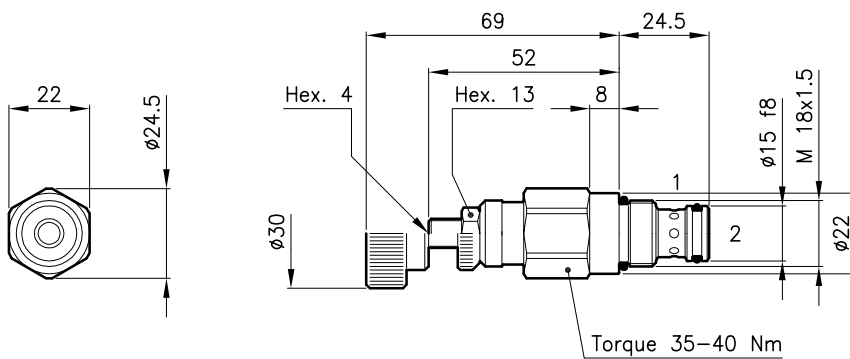


**Technical features**



|   |                                       |           |
|---|---------------------------------------|-----------|
| Cavity  | (For dimensions see catalogue 17.000) | S 20/2    |
| Flow setting range<br>± 10% (l/min.)                    | type U                                | 0.6 – 2.2 |
|   | type D                                | 1.5 – 4.5 |
|   | type T                                | 3.2 – 9.5 |
|   | type Q                                | 6 – 18    |
| Max. pressure   | (bar)                                 | 315       |
| Fluid viscosity range                                   | (cSt)                                 | 2.8 – 380 |
| Fluid temperature range                                 | (°C)                                  | -20 +80   |
| Mass (Standard adjustment type N)                       | (kg)                                  | 0.140     |
| Hydraulic fluid; mineral oil HM and HV                  |                                       | ISO 6074  |
| Recommended filtration; 19/15 ISO 4466 (25 μ absolutes) |                                       |           |
| Standard seals in Polyurethane and Buna N               |                                       |           |

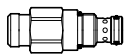
**Dimensions**



**Ordering informations**

**RDC 20/D-N**

RDC 20 = Valve type

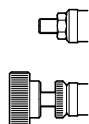


Flow setting range

- U** = 0.6 – 2.2 l/min
- D** = 1.5 – 4.5 l/min
- T** = 3.2 – 9.5 l/min
- Q** = 6 – 18 l/min

Adjustment type

- N** = Standard adjustment
- V** = Handknob adjustment



Codes:

|                    |            |
|--------------------|------------|
| RDC 20/U-N         | 23 011 100 |
| RDC 20/D-N         | 23 011 101 |
| RDC 20/T-N         | 23 011 102 |
| RDC 20/Q-N         | 23 011 103 |
| RDC 20/U-V         | 23 011 111 |
| RDC 20/D-V         | 23 011 112 |
| RDC 20/T-V         | 23 011 113 |
| RDC 20/Q-V         | 23 011 114 |
| External seals kit | 90 620 100 |

RDC 20 valves can be assembled on standard bodies 20-LO series: for dimensions see catalogue 16.010