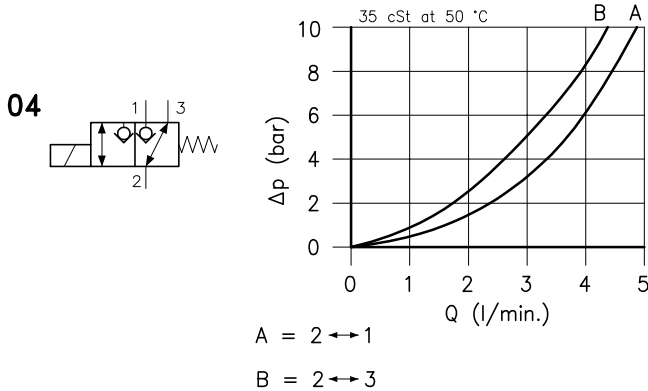
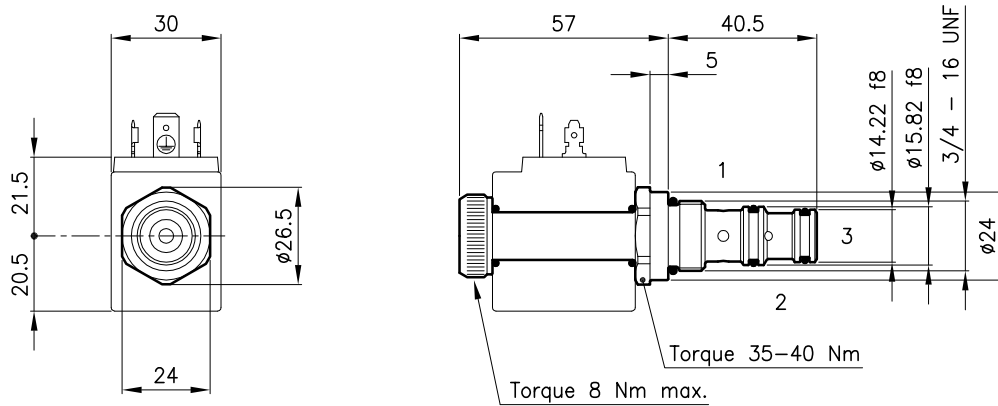


Technical features



Cavity (For dimensions see catalogue 17.002)	S 28/3
Max. flow (l/min.)	5
Max. pressure (bar)	210
Response time (ms) It change in function of circuit, pressure, flow and fluid viscosity.	30 - 60 (Mean value)
Fluid viscosity range (cSt)	2.8 - 380
Fluid temperature range (°C)	-20 +80
Mass (kg)	0.140
Hydraulic fluid; mineral oil HM and HV	ISO 6074
Recommended filtration; 19/15 ISO 4466 (25 μ absolutes)	
Standard seals in Polyurethane and Buna N	

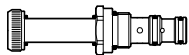
Dimensions



Ordering informations

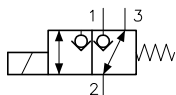
ECD 28/3204-R

ECD 28/32.. = Valve type



Circuits

3204 =



Version for the Coils B28 series

Codes:

ECD 28/3204-R 25 011 203

External seals kit 90 620 118

ECD 28/32.. valves can be assembled on standard bodies 28-C3 series; for dimensions see catalogue 16.010

On the ECD 28/. .-R valves must be assembled the Coils B28 series; for dimensions, features and codes see catalogue 09.902.