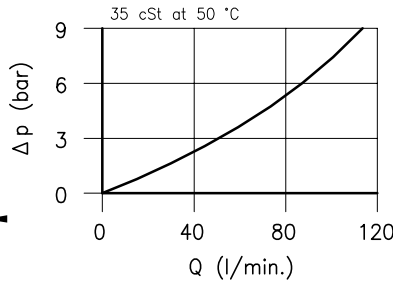
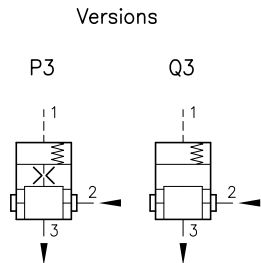


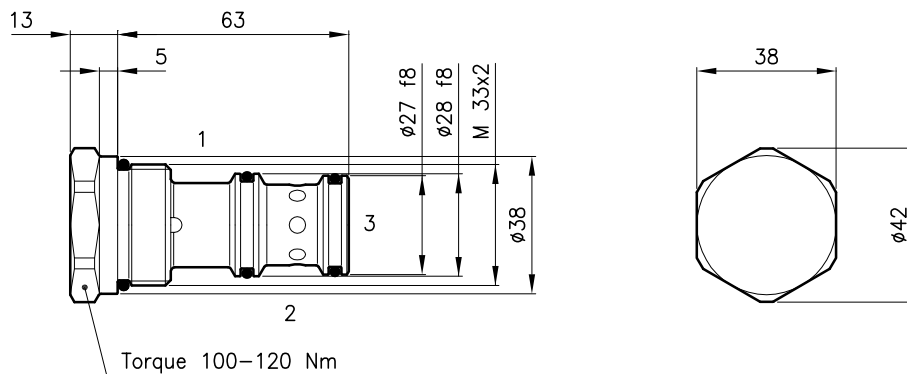
**Technical features**

Logic valves ELP 50/P3 series, with internal orifice, are used as pressure reducing with remote pilot. The Q3 version, without orifice, if combined with a needle valve is a pressure compensated flow regulator at two way.



Cavity (For dimensions see catalogue 17.000)	S 50/3
Nominal flow (l/min.)	100
Max. pressure (bar)	350
Ratio between areas A1/A3	1:1
Min. pressure difference (bar)	7
Fluid viscosity range (cSt)	2.8 - 380
Fluid temperature range (°C)	-20 +80
Orifice diameter (P3 version) (mm)	0.75
Mass (kg)	0.260
Hydraulic fluid; mineral oil HM and HV	ISO 6074
Recommended filtration; 19/15 ISO 4466 (25 μ absolutes)	
Standard seals in Polyurethane and Buna N	

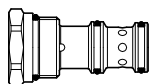
**Dimensions**



**Ordering informations**

**ELP 50/P3**

ELP 50 = Valve type



Version

**P3** = pressure reducing

**Q3** = flow regulator

Codes:

ELP 50/P3 56 011 105

ELP 50/Q3 56 011 106

External seals kit 90 620 107

ELP 50 valves can be assembled on standard bodies 50-C3 series; for dimensions see catalogue 16.010