

HPN-6A

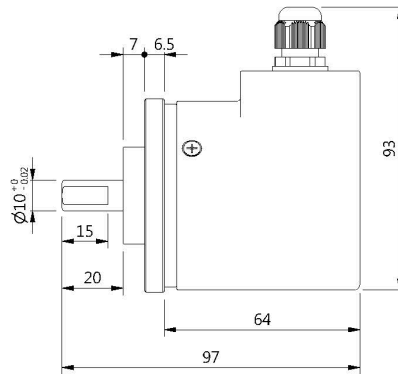
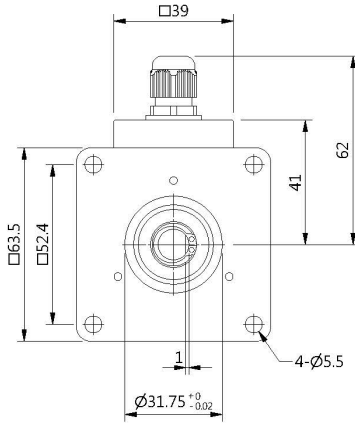
ROTARY ENCODER

HEAVY DUTY



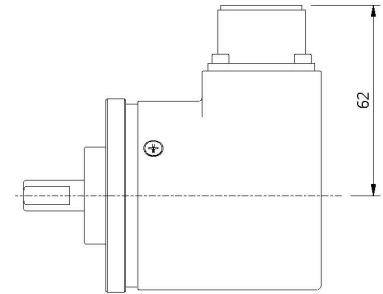
- Heavy Duty
- Shaft Diameter 10 mm
- Push Pull / Line Driver
- DC 5~26V
- IP 64 / IP65
- Cable Output / Connector Output

DIMENSION



cable output

[Standard]



connector output

[Option] code **R7, R10**

ELECTRICAL SPEC.

| | |
|--|---|
| Detection System | Incremental 增量型 |
| Output Wave 輸出波形 | Square Wave 方波 |
| Standard Number of Pulse Per Revolution 解析 | 5, 10, 20, 30, 40, 50, 60, 80, 100, 120, 150, 180, 200, 250, 300, 360, 400, 500, 600, 720, 800, 900, 1000, 1024, 1800, 2000, 2048, 2500, 3000, 3600, 4000, 4096, 5000 |
| Output Phase 輸出相 | ABZ phase |
| Electronics 電路特性 | Push Pull 推挽式, Line Driver 差動式 |
| Power Supply 供應電源 | DC 5~26V |
| Current Consumption 消耗電流 | ≤ 60 mA |
| Output Capacity 輸出容量 | Sync. Current: 20 mA, Residual Voltage: 0.5V or less |
| Max. Response 最大響應頻率 | 10K Hz ~ 100K Hz |
| Phase Different 相位差 | A, B phase different 90°±45° (T/4±T/8), Z phase T±T/2 |
| Wave Form Rise / Fall 波形上下時間 | 2 μs or less |
| Polarity 極性保護 | Against Reverse Protection |

MECHANICAL SPEC.

| | |
|--------------------------------|---|
| Shaft Diameter 軸徑 | 10 mm |
| Shaft Loading 軸荷重 | (10 ~ 1000 PPR) Axial: 5 Kg, Radial: 10 Kg (over 1000 PPR) Axial: 3 Kg, Radial: 6 Kg |
| Starting Torque (at 25°C) 起動轉矩 | Without shaft seal: 260 gf-cm or less; With shaft seal: 400 gf-cm or less |
| Max. Speed 最大機械容許速度 | 6,000 rpm; 2,000 rpm for IP 65 |
| Vibration 震動 | 10g (10±1,500 Hz) |
| Shock 衝擊 | 20g per 11 ms |
| Cable 電線 | Ø5.4, 100 cm long |
| Weight 重量 | ≤ 500g |

ENVIRONMENTAL SPEC.

| | |
|------------------------------------|---|
| Operating Temp. / Humidity 操作溫度/濕度 | -10°C ~ 60°C, RH 35% ~ 90% (No Condensation) |
| Storage Temp. 儲存溫度 | -20°C ~ 80°C |
| Protection 保護等級 | IP 64: dust & dripping proof IP 65(option): with Shaft Seal |

ORDERING INFORMATION

| | | | | | | | |
|---------|---|----|---------------------------------|---|--|---|---------------------------|
| HPN-6A- | <input type="text"/> | A- | <input type="text"/> | - | <input type="text"/> | - | <input type="text"/> |
| | Pulse per Revolution 解析 | | Electronics 電路特性 | | Connector 連接器 | | Protection 保護等級 |
| | 5, 10, 20, 30, 40, 50, 60, 80, 100, 120, 150, 180, 200, 250, 300, 360, 400, 500, 600, 720, 800, 900, 1000, 1024, 1800, 2000, 2048, 2500, 3000, 3600, 4000, 4096, 5000 | | P: Push Pull *H: Line Driver | | *R7: Radial 7 pin male connector *R10: Radial 10 pin male connector | | *K1: IP 65 *OPTION |