

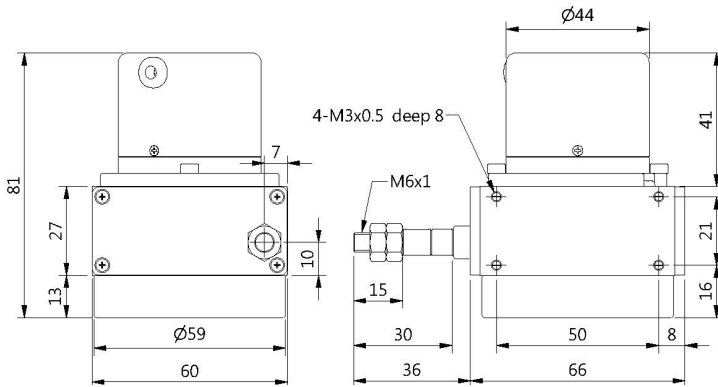
MLA-EA

MAGNETIC SENSOR
LINEAR WIRE MODEL
Analog Output



- Stroke 行程: 500, 1000 mm
- Output Type 輸出種類: 4-20 mA / 0-5V / 0-10V
- High Resolution 高解析值: 12 bit
- Application 適合: 角度 Angle、位置 Position
張力 Tension、速度 Speed

DIMENSION



ORDERING INFORMATION

Stroke 行程	Signal Output 輸出信號	Signal Sequence 信號輸出序列
05 : 500 mm	420 : 4-20 mA	*W: Reversed
10 : 1000 mm	5V : 0-5V	* OPTION
	10V : 0-10V	(Standard Sequence)

ELECTRICAL SPEC.

Power Supply 供應電源	[4-20 mA / 0-5V] DC 12~30V; [0-10V] DC 15~30V
Stroke (mm) 量測行程	500, 1000
Output Type 輸出信號	[standard] 4-20mA / 0-5V / 0-10V(increasing); [option] 20-4mA / 5-0V / 10-0V(decreasing)
Sensor Resolution 解析	12 bit (4096)
Response Time 輸出反應時間	20 ms (0-90%)
Output Loading 輸出負載	[4-20 mA] $RL \leq 750\Omega$, $RL: (V-12)/20 \text{ mA}$; [0-5V / 0-10V] $I_{out} \geq 1 \text{ mA}$, $RL \geq 10K\Omega$
Insulation Strength 耐壓強度(Vrms)	1KV / min.
Insulation Resistance 絕緣阻抗(MΩ min.)	100 MΩ / 500 Vdc
Temp. Coefficient 溫度系數(ppm/°C)	250 ppm/°C
Sensor Life 壽命	10X10 ⁶ cycles
Current Consumption 消耗電流	≤ 60 mA
Polarity 極性保護	Against Reverse Protection

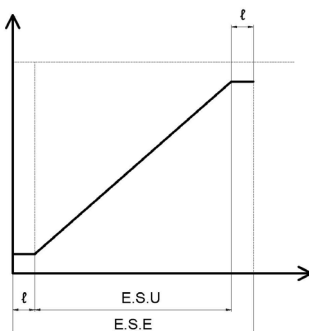
MECHANICAL SPEC.

Wire Specification 線徑規格	SUS304 with nylon coating Diameter: 0.7 mm Breaking Load: 23 Kgs
Vibration 震動	10-55 Hz / 1.5 mm Vpp / 10 G (max.)
Starting Torque on Spring 拉力	Max. 600 g
Cable 電線	Ø4.5, 1000 mm long
Weight 重量	≤ 600 g

ENVIRONMENTAL SPEC.

Operating Temp. 操作溫度 / 濕度	-10°C ~ 60°C RH 35% ~ 90% (No Condensation)
Storage Temp. 儲存溫度	-20°C ~ 80°C
Protection 保護等級	IP 50: Dust Proof (only for sensor housing)
Wire Life 壽命	Typical > 1X10 ⁶ cycles

Output Curve



E.S.E.有效電子行程 (mm)	500	1000
E.S.U.使用電子行程 (mm)	5 ~ 495	5 ~ 995
Max. Travel Speed 最大位移速度(mm/sec.)	500	
Nonlinear Error 非線性誤差	±0.50%FS	
Repeatability Error 重覆性誤差	±0.45%FS	

Electrical Connection

