

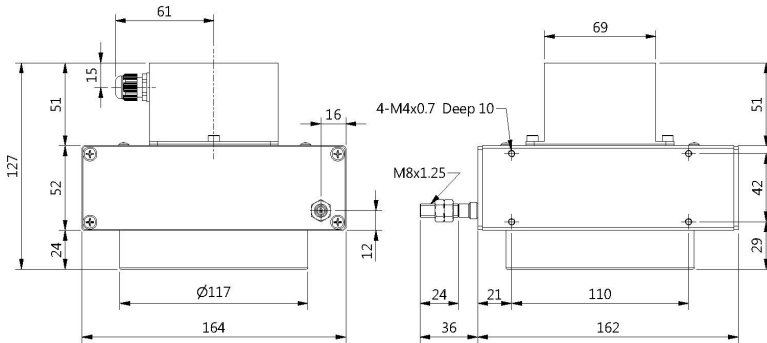
HPS-L2-R

DISPLACEMENT SENSOR LINEAR WIRE POTENTIOMETER



- Measuring Range 9000 ~ 12000 mm
- Precision Electric Resistance Signal Output
- Suitable for Long Measurement Range

DIMENSION



ORDERING INFORMATION

Stroke 行程	Signal Mode 信號模式	Pot. Life 電位計壽命及線性度
90: 9000 mm	R: Resistance 5KΩ	*F: 5X10 ⁶ cycles, Linearity 0.1%FS
100: 10000 mm		*F25: 5X10 ⁶ cycles, Linearity 0.25%FS
120: 12000 mm		*OPTION (Std. Life 1X10 ⁶ cycles, Linearity 0.25%)

ELECTRICAL SPEC.

Full Stroke (mm) 量測行程	9000, 10000, 12000
Sensor	Wire-wound and hybrid potentiometer
Output Signal Mode 輸出信號模式	Resistance (Potentiometer)
Resolution 解析	Essentially infinite
Linearity 線性度	[standard class] ±0.25% FS; [precision class] ±0.1% FS
Repeatability 重覆性	±0.05% FS
Output Resistance 輸出電阻值	[standard class] 5K ohm ± 10% FS; [precision class] 5K ohm ± 5% FS
Power Rating (watts)	2 W at 40°C
Recommended Input Voltage 輸入電壓	30V (AC/DC) max., best voltage at 5 ~ 10 VAC/VDC

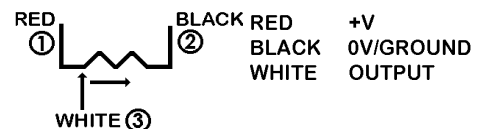
MECHANICAL SPEC.

Wire Specification 線徑規格	Diameter: 1.0 mm SUS304 with nylon coating
Max. Travel Speed 最大往復速度	600 mm / sec.
Vibration 震動	10-55 Hz / 1.5 mm Vpp / 10 G (max.)
Cable 電線	Ø5.4, 100 cm long
Weight 重量	< 3,500 g
Starting Torque on Spring 拉力	≤ 2,200 g

ENVIRONMENTAL SPEC.

Operating Temp. / Humidity 操作溫度/濕度	-20°C ~ 70°C RH35% ~ 90% (No Condensation)
Storage Temp. 儲存溫度	-20°C ~ 80°C
Protection 保護等級	IP64: Dust & Dripping Proof (only for potentiometer housing)

Electrical Connection



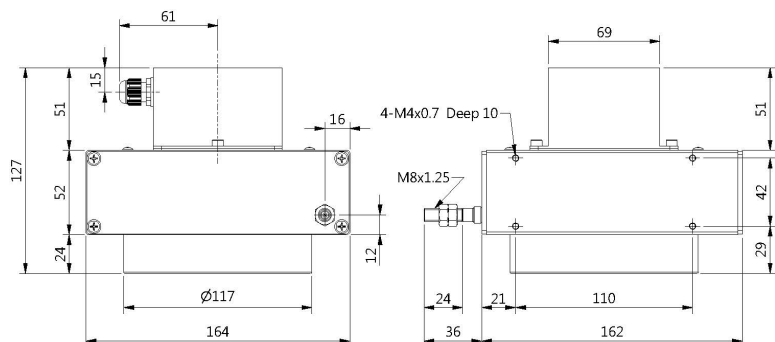
HPS-L2-V

DISPLACEMENT SENSOR LINEAR WIRE POTENTIOMETER



- Measuring Range 9000 ~ 12000 mm
- Precision Electric 0~5V/0~10V Signal Output
- Suitable for Long Measurement Range

DIMENSION



ORDERING INFORMATION

Stroke 行程	Signal Mode 信號模式	Pot. Life 電位計壽命及線性度
90:9000 mm	5V:0-5V	*F: 5X10 ⁶ cycles, Linearity 0.15%FS
100:10000 mm	10V:0-10V	*F25: 5X10 ⁶ cycles, Linearity 0.3%FS
120:12000 mm		*OPTION (Std. Life 1X10 ⁶ cycles, Linearity 0.3%)

ELECTRICAL SPEC.

Full Stroke (mm) 量測行程	9000, 10000, 12000
Sensor	Wire-wound and hybrid potentiometer
Output Signal Mode 輸出信號模式	0-5Vdc or 0-10Vdc
Resolution 解析	Essentially infinite
Linearity 線性度	[standard class] ±0.3% FS; [precision class] ±0.15% FS
Repeatability 重覆性	±0.05% FS
Input Power 供應電壓	10-30Vdc for 0-5V output; 15-30Vdc for 0-10V output
Input Current 供應電流	10 mA max.

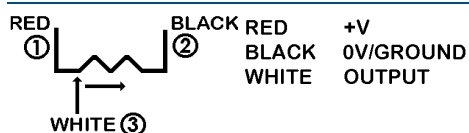
MECHANICAL SPEC.

Wire Specification 線徑規格	Diameter: 1.0 mm SUS304 with nylon coating
Max. Travel Speed 最大往復速度	600 mm / sec.
Vibration 震動	10-55 Hz / 1.5 mm Vpp / 10 G (max.)
Cable 電線	Ø5.4, 100 cm long
Weight 重量	< 3,500 g
Starting Torque on Spring 拉力	≤ 2,200 g

ENVIRONMENTAL SPEC.

Operating Temp. / Humidity 操作溫度/濕度	0°C ~ 70°C RH35% ~ 90% (No Condensation)
Storage Temp. 儲存溫度	-20°C ~ 80°C
Protection 保護等級	IP64: Dust & Dripping Proof (only for potentiometer housing)

Electrical Connection



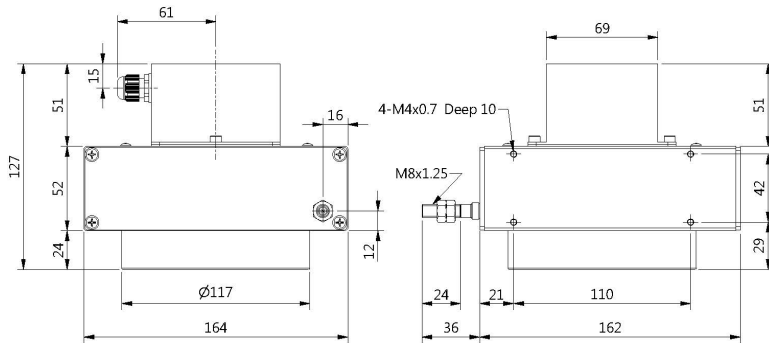
HPS-L2-MA

DISPLACEMENT SENSOR LINEAR WIRE POTENTIOMETER



- Measuring Range 9000 ~ 12000 mm
- Precision Electric 4~20mA Signal Output
- Suitable for Long Measurement Range

DIMENSION



ORDERING INFORMATION

Stroke 行程	Signal Mode 信號模式	Pot. Life 電位計壽命及線性度
90:9000 mm	420:4-20 mA	*F: 5X10 ⁶ cycles, Linearity 0.15%FS
100:10000 mm		*F25: 5X10 ⁶ cycles, Linearity 0.3%FS
120:12000 mm		*OPTION (Std. Life 1X10 ⁶ cycles, Linearity 0.3%)

ELECTRICAL SPEC.

Full Stroke (mm) 量測行程	9000, 10000, 12000
Sensor	Wire-wound and hybrid potentiometer
Output Signal Mode 輸出信號模式	4-20 mA (2 wires)
Resolution 解析	Essentially infinite
Linearity 線性度	[standard class] ±0.3% FS; [precision class] ±0.15% FS
Repeatability 重覆性	±0.05% FS
Input Power 供應電壓	15-24Vdc±20%
Input Current 供應電流	20 mA max.
Loop Resistance (load)	(loop supply voltage -12) / 0.02 max.
Zero and Span Adjustment	±5%

MECHANICAL SPEC.

Wire Specification 線徑規格	Diameter: 1.0 mm SUS304 with nylon coating
Max. Travel Speed 最大往復速度	600 mm / sec.
Vibration 震動	10-55 Hz / 1.5 mm Vpp / 10 G (max.)
Cable 電線	Ø5.4, 100 cm long
Weight 重量	< 3,500 g
Starting Torque on Spring 拉力	≤ 2,200 g

ENVIRONMENTAL SPEC.

Operating Temp. / Humidity 操作溫度/濕度	0°C ~ 70°C RH35% ~ 90% (No Condensation)
Storage Temp. 儲存溫度	-20°C ~ 80°C
Protection 保護等級	IP64: Dust & Dripping Proof (only for potentiometer housing)

Electrical Connection

