

RC

ACTUADOR ELECTRICO
ELECTRIC ACTUATOR

ON - OFF



Datasheet - RC 20



GENERAL CHARACTERISTICS

- Housing:** Anticorrosive polyamide (lid & body)
- Main external shaft:** Anticorrosive polyamide
- External screws:** stainless steel
- Gears:** Steel and polyamide
- Visual position indicator:** Polyamide
- Dome:** Polycarbonate
- Adjustable internal cams:** Polyamide
- Electric motor:** 24VDC motor
- Insulation:** Class B
- (IEC 60034) Service:** S4

MODEL	RC20									
	VAC	VAC	VDC	VAC	VDC	VAC	VDC	VAC	VDC	
Voltage VDC or VAC 50/60Hz -0/+5%	240	110	110	48	48	24	24	12	12	
Operation time unload (Sec. / 90°)	9	8	6	9	8	9	9	11	11	
Maximum torque break	25 Nm / 221 lb/in									
Maximum operational torque	20 Nm / 177 lb/in									
Duty rating	75 %									
Max. Working angle	0° to 270°									
Limit switch	4 SPST NO micro (2 motor stop and 2 confirmations)									
Big Plug	EN175301-803 FORM A									
Small Plug	DIN43650/C									
Protection IEC 60529 rating	IP67									
Temperature	-20°C +70°C / -4°F +158°F									
Weight	1,8 Kg									



VALVE CONNECTION

- ISO 5211 Plate : F03/F04/F05
- DIN 3337 Female output drive : *14 mm

Option :

- DIN 3337 Female output drive: *9 or *11 mm
- F05 to F07 Conversion Kit with *17mm output

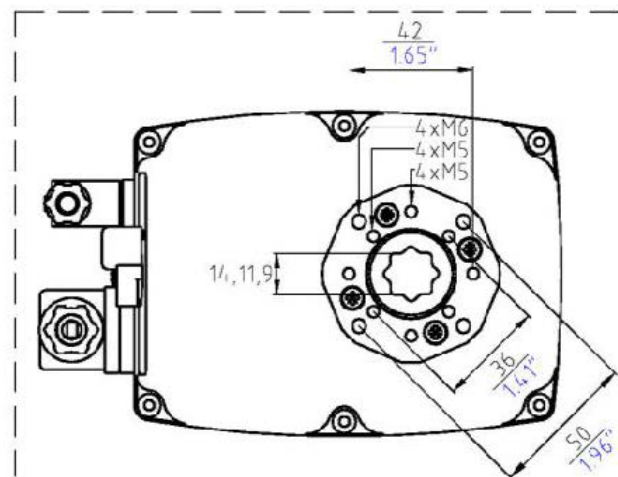
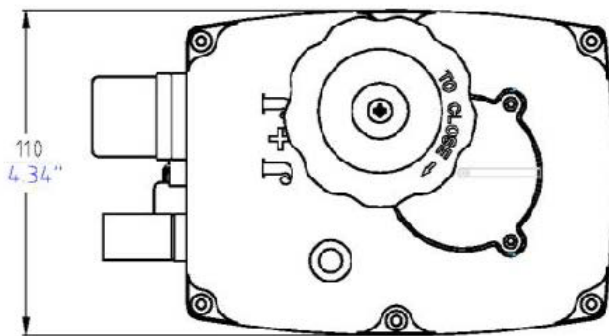
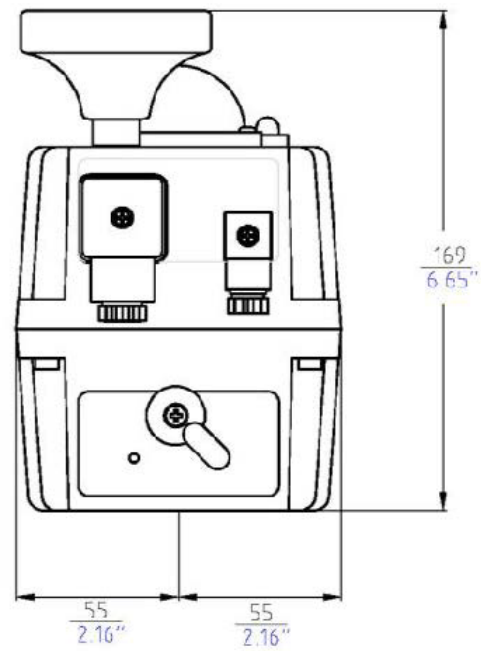
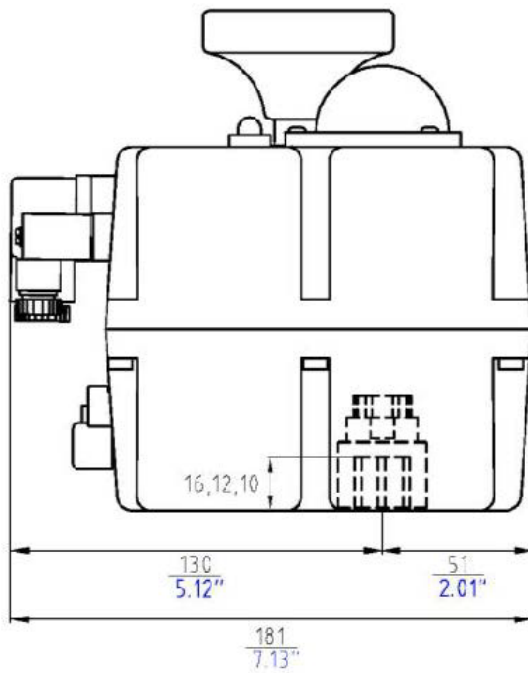


OPTIONS

- Heater



RC 20 SIZES



Datasheet - RC 35



GENERAL CHARACTERISTICS

Housing: Anticorrosive polyamide (lid & body)

Main external shaft: stainless steel

External screws: stainless steel

Gears: Steel and polyamide

Visual position indicator: Polyamide

Dome: Polycarbonate

Adjustable internal cams: Polyamide

Electric motor: 24VDC motor

Insulation: Class B

(IEC 60034) Service: S4

MODEL	RC35									
Voltage VDC or VAC 50/60Hz -0/+5%	VAC	VAC	VDC	VAC	VDC	VAC	VDC	VAC	VDC	VDC
	240	110	110	48	48	24	24	12	12	12
Operation time unload (Sec. / 90o)	9	8	6	9	8	9	9	11	11	11
Maximum torque break	38 Nm / 359,3 lb/in									
Maximum operational torque	35 Nm / 309 lb/in									
Duty rating	75 %									
Max. Working angle	0° to 270°									
Limit switch	4 SPST NO micro (2 motor stop and 2 confirmations)									
Big Plug	EN175301-803 FORM A									
Small Plug	DIN43650/C									
Protection IEC 60529 rating	IP67									
Temperature	-20°C +70°C / -4°F +158°F									
Weight	1,9 Kg									



VALVE CONNECTION

ISO 5211 Plate : F03/F04/F05

DIN 3337 Female output drive : *14 mm

Option :

DIN 3337 Female output drive: *9 or *11 mm

F05 to F07 Conversion Kit with *17mm output

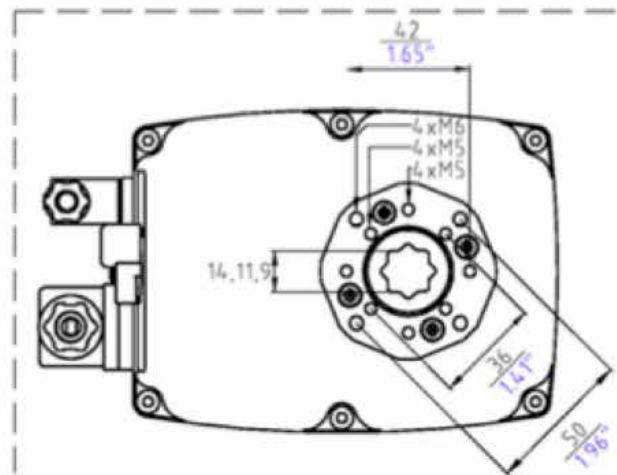
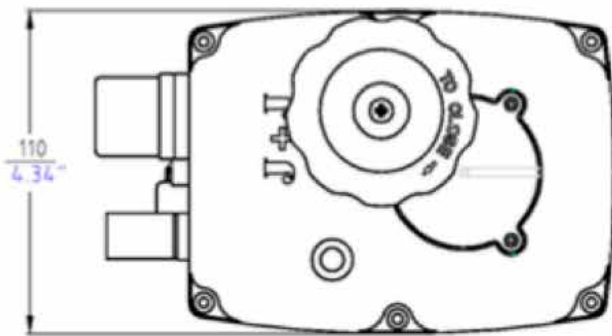
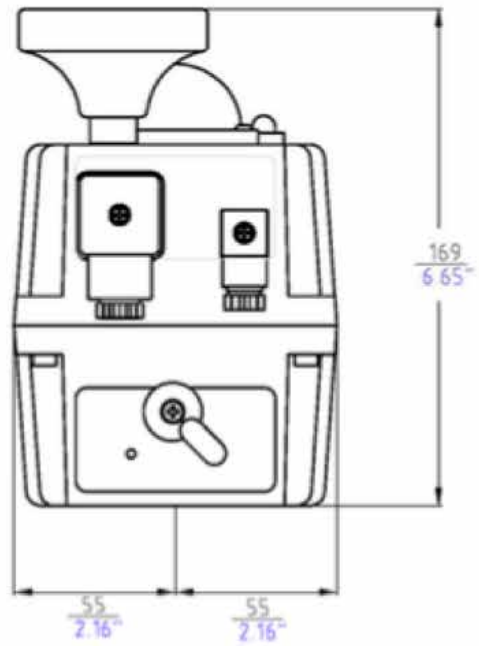
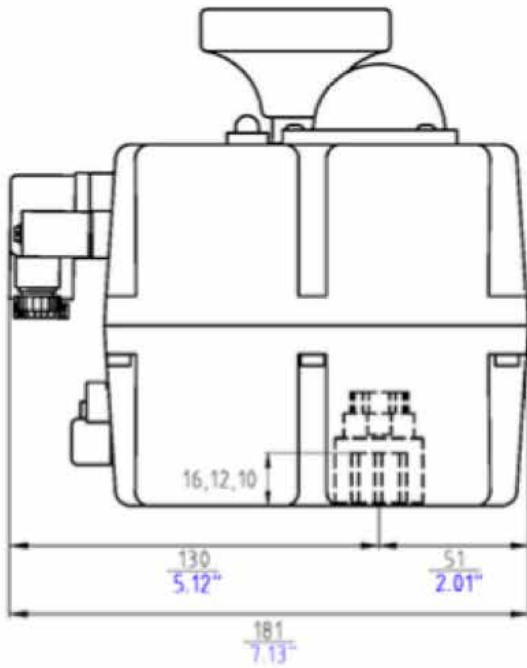


OPTIONS

· Heater



RC 35 SIZES



Datasheet - RC 55



GENERAL CHARACTERISTICS

Housing: Anticorrosive polyamide (lid & body)

Main external shaft: stainless steel

External screws: stainless steel

Gears: Steel and polyamide

Visual position indicator: Polyamide

Dome: Polycarbonate

Adjustable internal cams: Polyamide

Electric motor: 24VDC motor

Insulation: Class B

(IEC 60034) Service: S4

MODEL	RC55									
Voltage VDC or VAC 50/60Hz -0/+5%	VAC	VAC	VDC	VAC	VDC	VAC	VDC	VAC	VDC	VDC
	240	110	110	48	48	24	24	12	12	12
Operation time unload (Sec. / 90o)	15	11	10	13	11	15	14	15	15	15
Maximum torque break	60 Nm / 530 lb/in									
Maximum operational torque	55 Nm / 486 lb/in									
Duty rating	75 %									
Max. Working angle	0° to 270°									
Limit switch	4 SPST NO micro (2 motor stop and 2 confirmations)									
Big Plug	EN175301-803 FORM A									
Small Plug	DIN 43650/C									
Protection IEC 60529 rating	IP67									
Temperature	-20°C +70°C / -4°F +158°F									
Weight	2,4 Kg									



VALVE CONNECTION

ISO 5211 Plate : F05/F07

DIN 3337 Female output drive : *17 mm

Option :

DIN 3337 Female output drive: *11 or *14 mm

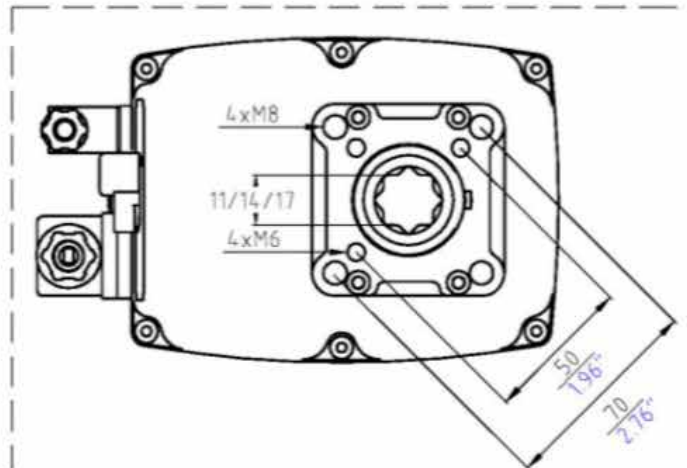
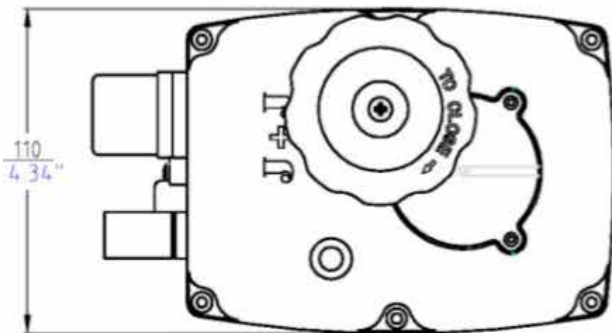
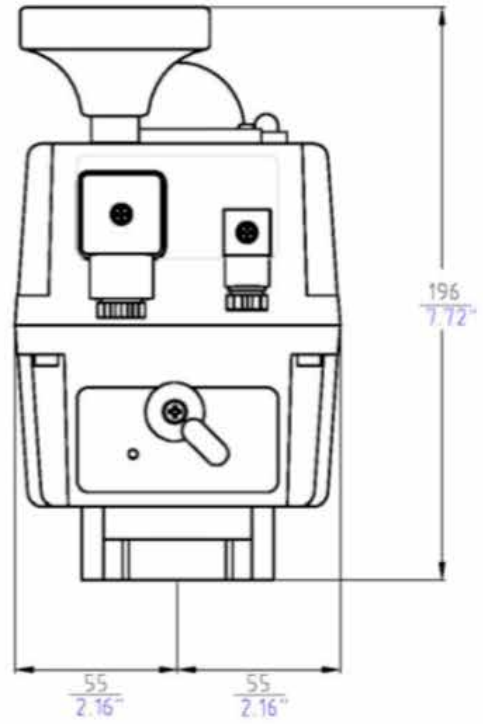
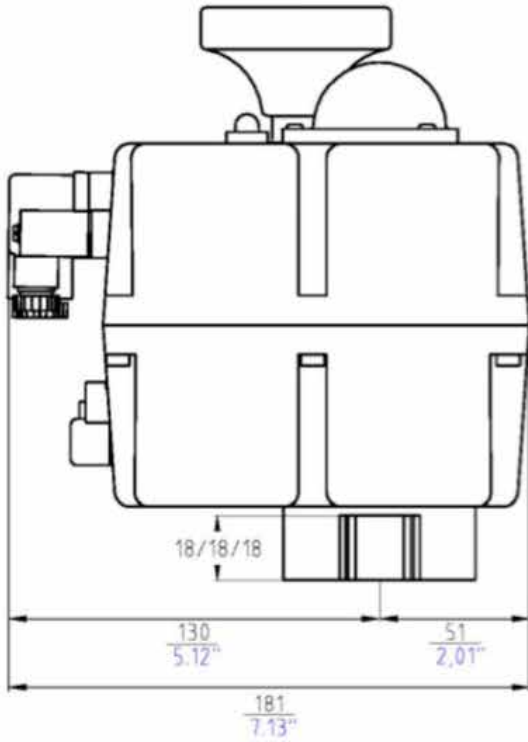


OPTIONS

· Heater



RC 55 SIZES



Datasheet - RC 85



GENERAL CHARACTERISTICS

Housing: Anticorrosive polyamide (lid & body)

Main external shaft: stainless steel

External screws: stainless steel

Gears: Steel and polyamide

Visual position indicator: Polyamide

Dome: Polycarbonate

Adjustable internal cams: Polyamide

Electric motor: 24VDC motor

Insulation: Class B

(IEC 60034) Service: S4

MODEL	RC85									
Voltage VDC or VAC 50/60Hz -0/+5%	VAC	VAC	VDC	VAC	VDC	VAC	VDC	VAC	VDC	VDC
	240	110	110	48	48	24	24	12	12	12
Operation time unload (Sec. / 90°)	35	26	20	30	24	36	32	31	31	31
Maximum torque break	90 Nm / 796,3 lb/in									
Maximum operational torque	85 Nm / 752 lb/in									
Duty rating	75 %									
Max. Working angle	0° to 270°									
Limit switch	4 SPST NO micro (2 motor stop and 2 confirmations)									
Big Plug	EN175301-803 FORM A									
Small Plug	DIN 43650/C									
Protection IEC 60529 rating	IP67									
Temperature	-20°C +70°C / -4°F +158°F									
Weight	3 Kg									



VALVE CONNECTION

ISO 5211 Plate : F05/F07

DIN 3337 Female output drive : *17 mm

Option :

DIN 3337 Female output drive: *11 or *14 mm



OPTIONS

· Heater



RC 85 SIZES

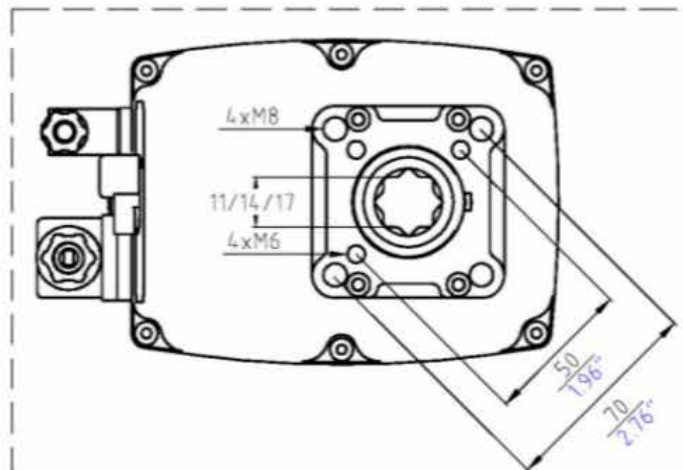
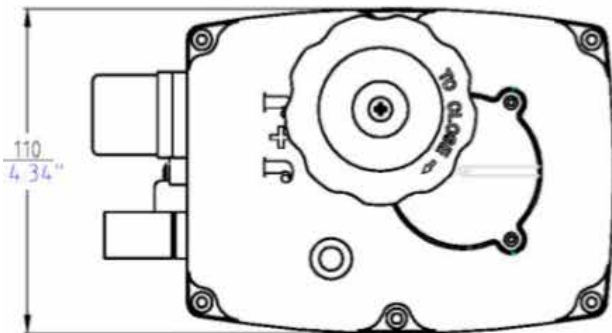
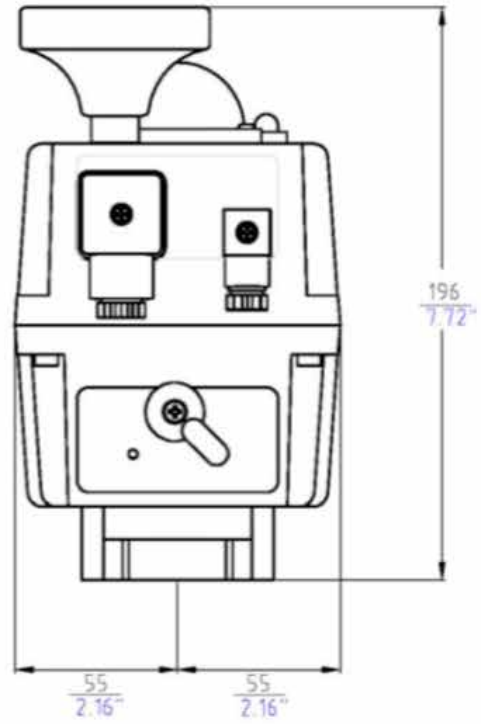
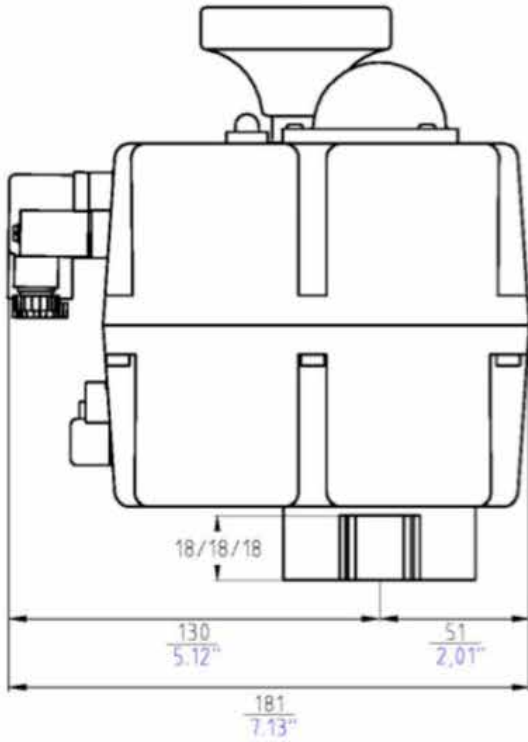


TABLE OF CONSUMPTIONS

RC 20 Consumption		Unload	Max. Operational Torque	Max. Torque Break 25Nm
Voltage	Model	A	A	A
12 VDC	20	0,38	0,95	1,10
24 VDC	20	0,23	0,51	0,58
48 VDC	20	0,13	0,29	0,31
110 VDC	20	0,08	0,14	0,16
12 VAC	20	0,65	1,35	1,55
24 VAC	20	0,37	0,76	0,88
48 VAC	20	0,23	0,42	0,45
110 VAC	20	0,14	0,21	0,24
240 VAC	20	0,18	0,31	0,35

RC 35 Consumption		Unload	Max. Operational Torque	MMax. Torque Break 38Nm
Voltage	Model	A	A	A
12 VDC	35	0,38	1,45	1,60
24 VDC	35	0,23	0,73	0,83
48 VDC	35	0,13	0,36	0,42
110 VDC	35	0,08	0,19	0,23
12 VAC	35	0,65	1,90	2,10
24 VAC	35	0,37	1,05	1,17
48 VAC	35	0,23	0,54	0,58
110 VAC	35	0,14	0,28	0,31
240 VAC	35	0,18	0,41	0,45

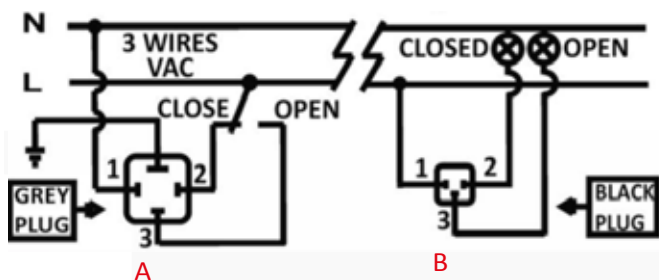
RC 55 Consumption		Unload	Max. Operational Torque	Max. Torque Break 60Nm
Voltage	Model	A	A	A
12 VDC	55	0,35	1,62	2,10
24 VDC	55	0,23	0,92	1,25
48 VDC	55	0,13	0,44	0,48
110 VDC	55	0,08	0,25	0,29
12 VAC	55	0,65	1,95	2,20
24 VAC	55	0,37	1,24	1,27
48 VAC	55	0,23	0,59	0,66
110 VAC	55	0,14	0,32	0,35
240 VAC	55	0,18	0,45	0,48

RC 85 Consumption		Unload	Max. Operational Torque	Max. Torque Break 60Nm
Voltage	Model	A	A	A
12 VDC	85	0,39	1,15	1,25
24 VDC	85	0,23	0,59	0,66
48 VDC	85	0,13	0,34	0,37
110 VDC	85	0,08	0,18	0,20
12 VAC	85	0,65	1,60	1,70
24 VAC	85	0,37	0,79	0,83
48 VAC	85	0,23	0,50	0,53
110 VAC	85	0,14	0,27	0,28
240 VAC	85	0,18	0,40	0,42



External connecting diagram

External eschematic diagram · External wiring



3 WIRES ON - OFF

A = Power supply plug

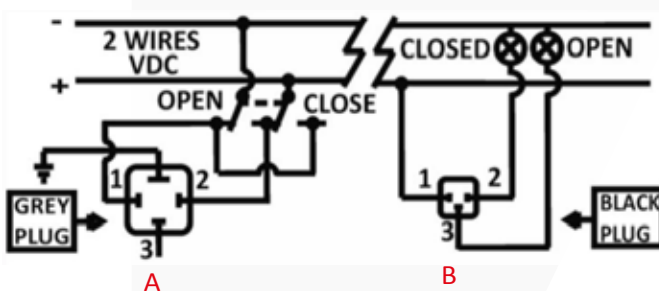
A: VAC 3 WIRES (Grey plug)

PIN 1 = Neutral + PIN 2 = Phase = Close

PIN 1 = Neutral + PIN 3 = Phase = Open

B = Volt free contact, plug

PIN 1 / PIN 2 = Close



2 WIRES ON - OFF

A = Power supply plug

A: VDC 2 WIRES (Grey plug)

PIN 1 (-) Negative + PIN 2 (+) Positive = Open

PIN 1 (+) Positive + PIN 2 (-) Negative = Close

B = Volt free contact plug

PIN 1 / PIN 2 = Close

PIN 1 / PIN 3 = Open



CONTACT

J.J. BCN INTERNACIONAL, SA



Polígon Industrial Sud
Carrer de l'Orfeó Català, 7 • 08440 Cardedeu
Barcelona (Spain)



(+34) 93 871 33 04



info@jjbcn.com



www.jjbcn.com

