

# DECLUTCHABLE GEAR OPERATOR RMD

ISO 5211 – IP65



Authorized Distributor

RMD

# GENERAL CHARACTERISTICS

- Aluminium housing
- Rugged construction
- Sealed to IP-65
- CH-Air's direct mounting
- Compact design – low weight
- Integral top flange
- User-friendly
- Double adjustment stroke
- ISO 5211 double drilling
- Ambient temperature range -30° up to +80°

## RMD-50

CH-Air direct mounting

CH-050
CH-063
CH-075
CH-085
CH-100
CH-115

## RMD-102

CH-Air direct mounting

CH-125
CH-145
CH-160

## RMD-140

CH-Air direct mounting

CH-180
CH-200

## RMD-165

CH-Air direct mounting

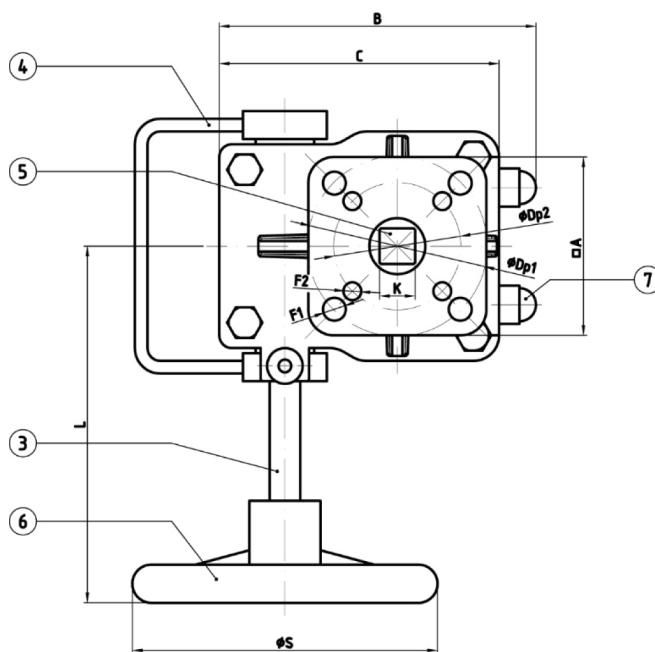
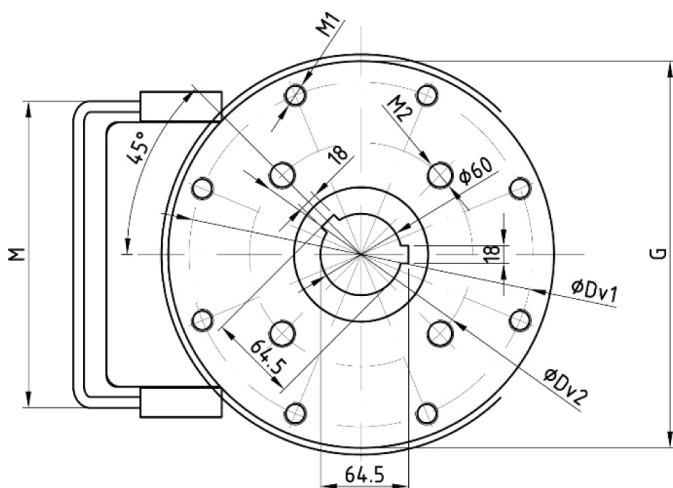
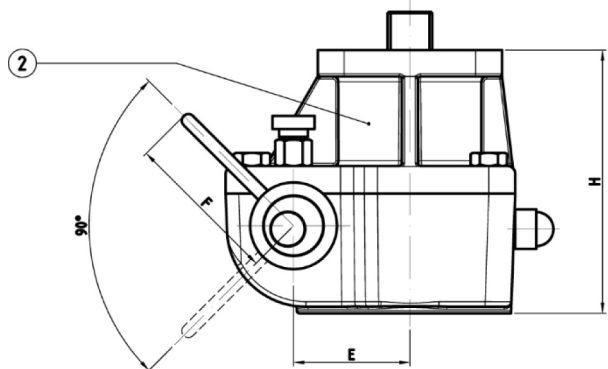
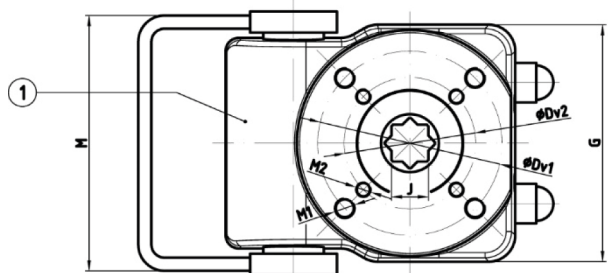
CH-240
--------

## RMD-254

CH-Air direct mounting

CH-270
CH-330

# DIMENSIONS, PARTS AND MATERIALS



Item	Description	Material
1	Body	Aluminium Alloy
2	Cover Plate	Aluminium Alloy
3	Shaft	Carbon Steel
4	Lever	Carbon Steel
5	Join Shaft	Carbon Steel
6	Handwheel	Carbon steel Epoxy painted
7	Nut protection cup	NBR
	Worm	Ductil Iron
	Worm Gear	Carbon Steel
	Screws	Steel

Model	Gear Ratio	Output Torque	A	B	C	E	F	Dp1	F1	Dp2	F2	Dv1	M1	Dv2	M2	J	K	G	H	L	M	ØS	Weight (Kg)
RMD-050	1:40	300 Nm	70	125	110	44	54	70	8.5	50	6.5	70	M8	50	M6	17	14	90	100	130	104	200	2.3
RMD-102	1:36	810 Nm	115	185	160	65	70	125	13	102	11	125	M12	102	M10	27	22	140	124	180	140	300	5.6
RMD-140	1:50	1310 Nm	140	230	210	85	78	140	17	102	11	140	M16	102	M10	36	27	190	162	300	180	400	12.5
RMD-165	1:55	2800 Nm	165	268	243	105	105	165	21	140	17	165	M20	-	-	36	36	230	181	385	210	600	25.8
RMD-254	1:50	5500 Nm	Ø295	330	283	130	115	165	21	254	17	165	M20	254	M16	-	46	285	205	400	225	700	40.3

Dimensions in mm

Authorized Distributor

RMD